

101HS185  
PAGE 1 OF 1

**M**

DRAWING  
NUMBER

4

ISSUE

REPLACES

RELEASE NO. PR-19328

CHECK

91

JUL

18

JUL

93

15

JUL

93

15

JUL

16

JUL

91

16

JUL

91

16

JUL

91

16

JUN

27

JUN

91

27

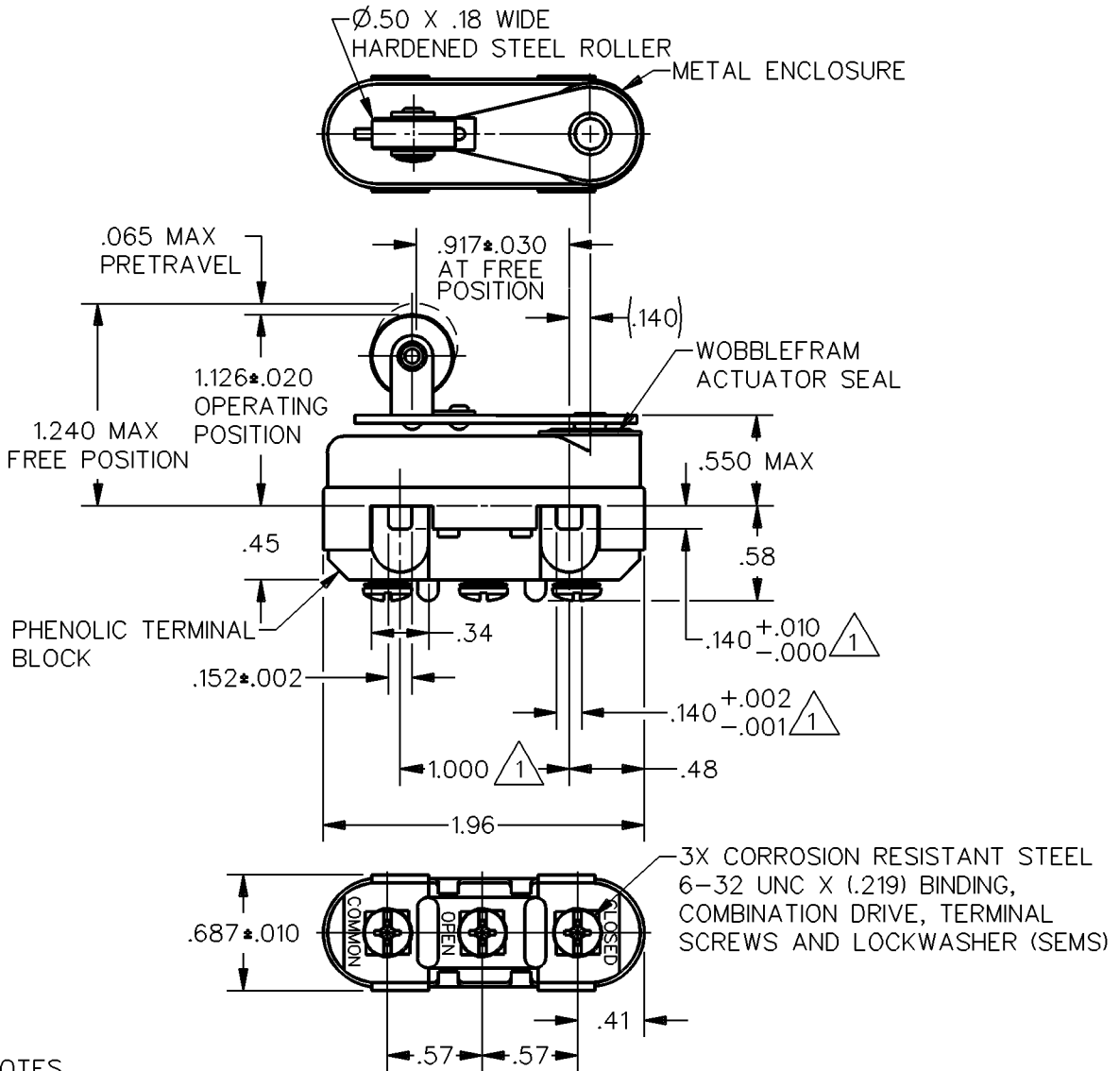
JUN

91

27

REVISIONS

A	CO-75625	15 JUL 93
B	CO-76375	15 JUL 93
C	CO-94122	17 MAR 99



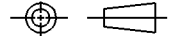
NOTES

- 1 MOUNTING HOLES WILL ACCEPT PINS OR SCREWS OF  $\varnothing.139$  MAX ON  $1.000 \pm .002$  CENTERS
- 2 - TRAVEL CHARACTERISTICS ARE REFERENCED FROM THE UPPER SURFACE OF MOUNTING HOLES WITH THIS CONSTRUCTION
- 3 - FOR USE IN AMBIENT TEMPERATURE RANGE FROM  $-65^{\circ}\text{F}$  TO  $300^{\circ}\text{F}$

ANSI Y14.5M-1982 APPLIES

THIS DRAWING COVERS A PROPRIETARY ITEM AND IS THE PROPERTY OF MICRO SWITCH, A DIVISION OF HONEYWELL. THIS DRAWING IS NOT TO BE COPIED OR USED WITHOUT THE APPROVAL OF MICRO SWITCH.

THIRD ANGLE PROJECTION



CHARACTERISTICS	ELECTRICAL DATA			SCALE	FULL	DO NOT SCALE PRINT
	LINE VOLTAGE	INDUCTIVE LOAD	RESISTIVE LOAD	UNLESS OTHERWISE SPECIFIED TOLERANCES ARE		
OPERATING FORCE — — — 10-30 OZ	28 VDC	8 AMP	15 AMP	ONE PLACE	(.01)	±.030
RELEASE FORCE — — — 4 OZ MIN				TWO PLACE	(.00)	±.015
DIFFERENTIAL TRAVEL — — — .020 MAX	125 VAC	1 AMP	.5 AMP	THREE PLACE	(.000)	±.005
OVERTRAVEL — — — — .010 MIN	L277			ANGLES		±
	1A 125 VAC, 5A 28 VDC			WEIGHT		1.8 OZ MAX

FORMTEK

DRAWN

