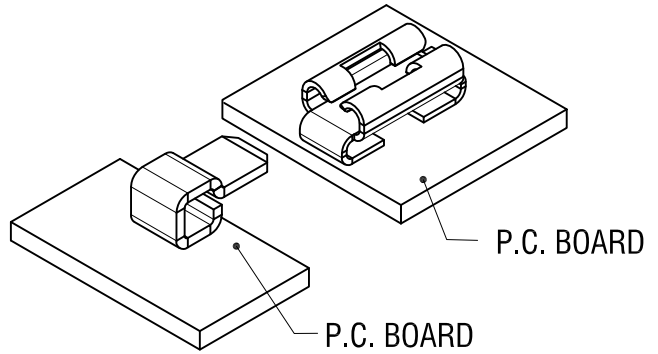
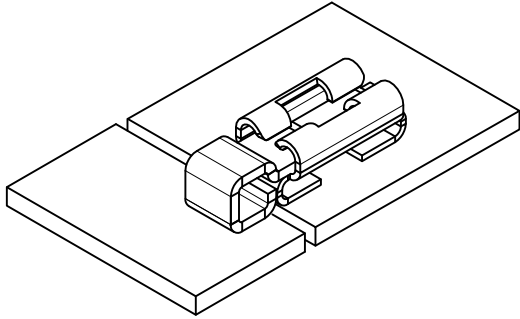


THIS DOCUMENT IS THE PROPERTY OF KEYSTONE ELECTRONICS CORP. AND SHALL NOT BE REPRODUCED, DISTRIBUTED OR USED AS A BASIS FOR MANUFACTURE WITHOUT PRIOR WRITTEN PERMISSION FROM KEYSTONE ELECTRONICS CORP.

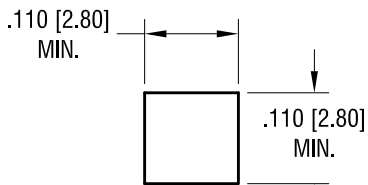
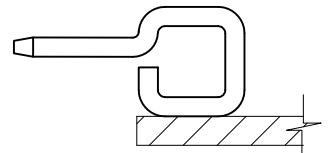
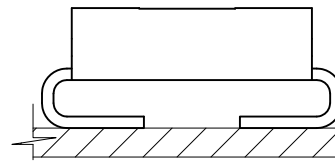
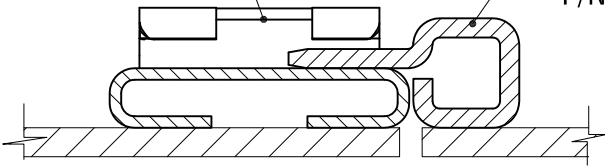


P.C. BOARD

P.C. BOARD

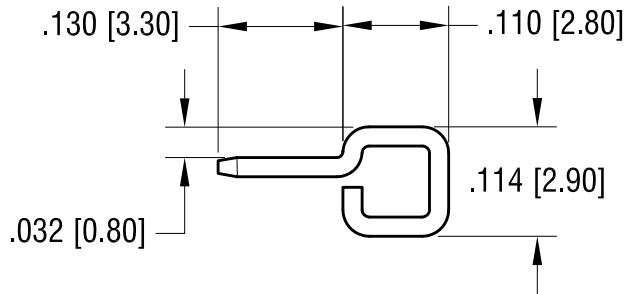
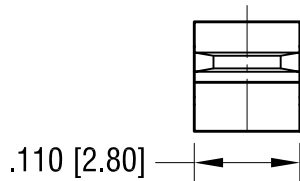
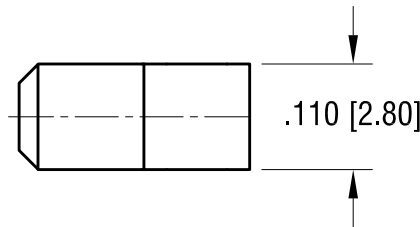
QUICK-FIT  
P/N 3569

PIN  
P/N 3579



MOUNTING PAD DETAIL

ACTUAL SIZE



**KEYSTONE ELECTRONICS CORP.**

www.keyelco.com • NEW HYDE PARK, NY 11040 • Tel (516) 328-7500

PART NAME

PARALLEL FITTING SM PIN

MATERIAL

.020 [0.50] TH'K BRASS

FINISH

MATTE TIN PLATE

DRN BY

NT

DATE

3.12.19

APP'D

RH

SCALE

5X

4.13.20 CHANGE AS PER ECN 20-037

A

TOLERANCES

INCH [MM]  
DECIMAL ± .005 [± 0.13]

CODE

C

DWG NO.

3579

ANGULAR ± 1°  
UNLESS OTHERWISE SPECIFIED

DATE

DESCRIPTION

REV.