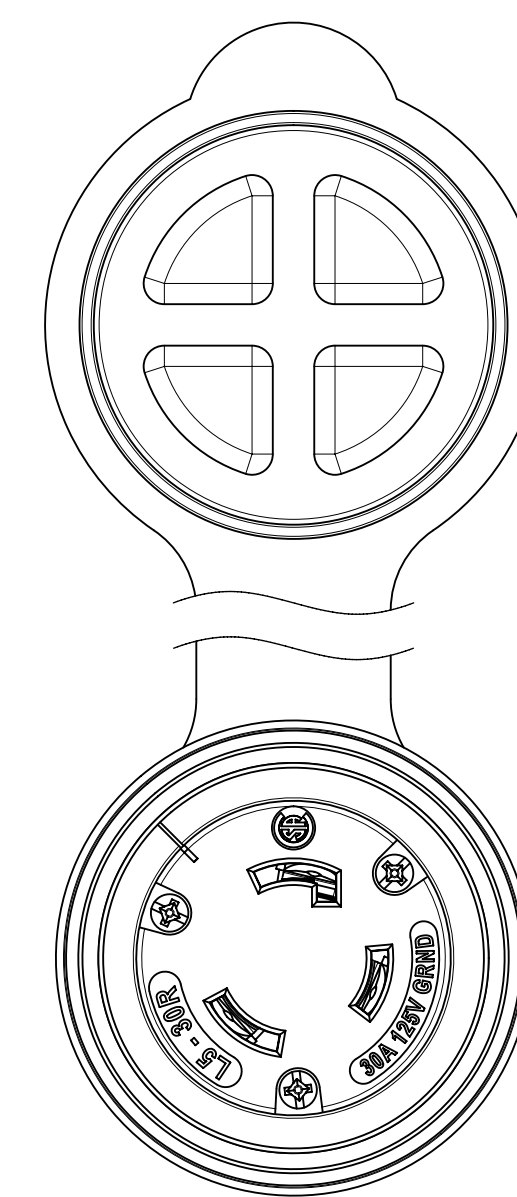
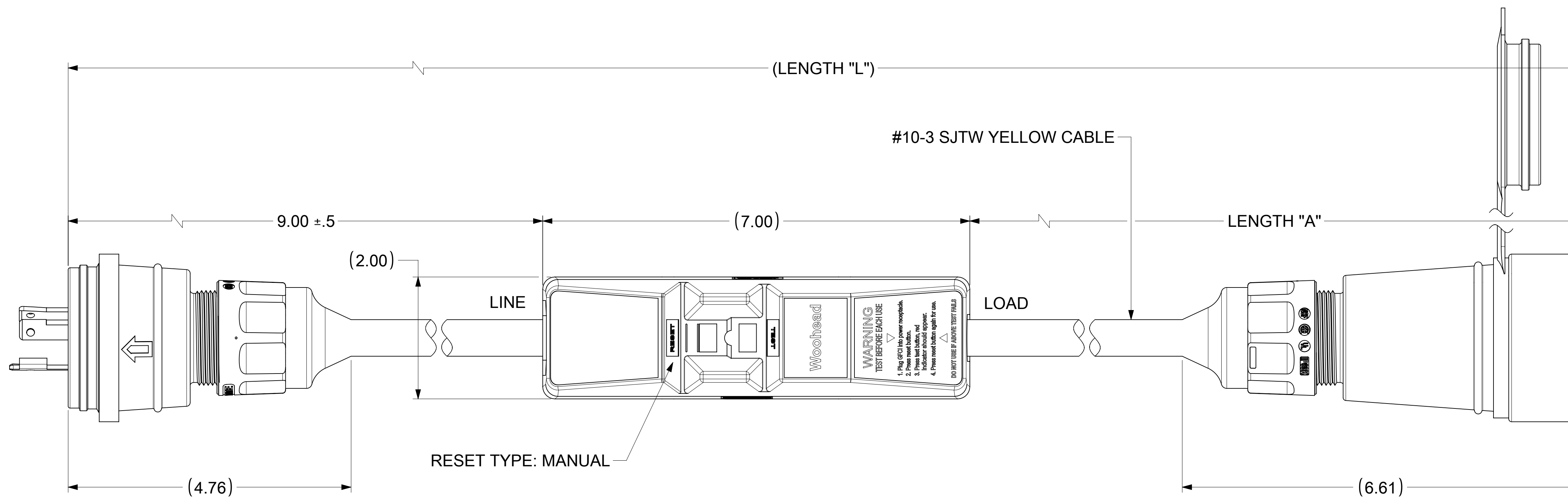
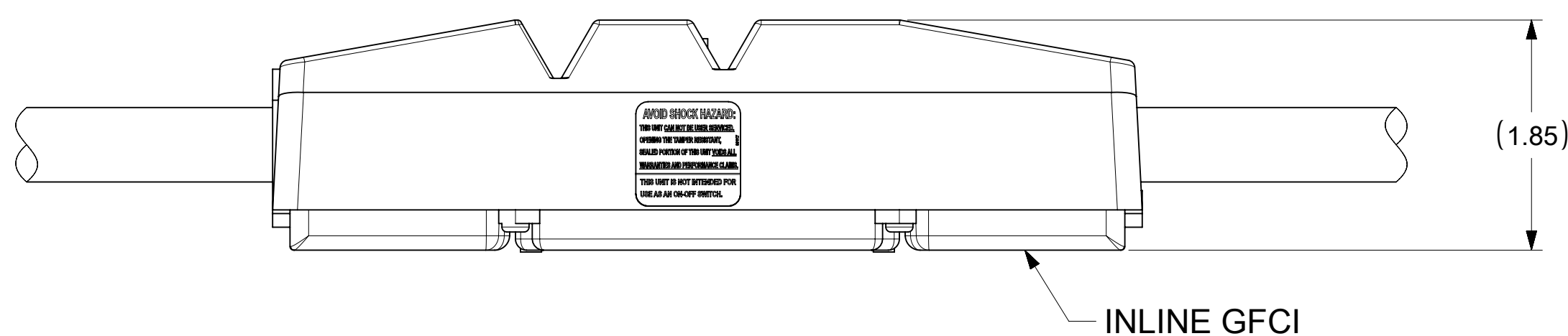


28W47 AS SHOWN



29W47 AS SHOWN



INLINE GFCI

TECHNICAL

- LISTED: UL & CSA
- RATED SUPPLY VOLTAGE: 120VAC, 240VAC
- RATED CURRENT: UP TO 30 AMPS
- RESET TYPE: MANUAL
- OPERATING FREQUENCY: 60 Hz
- TYPE: CLASS A
- GROUND TRIP CURRENT: 4-6 mA
- OVERLOAD CURRENT: 180 AMP
- INSULATION VOLTAGE: 1,500 VRMS - 1 MINUTE
- ENDURANCE OPERATIONS: 3000 OPERATIONS
- GFCI ENCLOSURE: NEMA 3R

MATERIAL NO.	PART NO.	LENGTH "A"	LENGTH "L"	INPUT PLUG	OUTPUT CONNECTOR	INLINE GFCI P/N	RATED VOLTAGE
1301530173	30052-1	9.00 IN. ± 0.5"	2 FT. 1 IN. ± 1"	28W47	29W47	30-0900	120V
1301530178	30052-6	5.0 FT. ± 1.0"	6 FT. 4 IN. ± 1.5"	28W47	29W47	30-0901	120V
1301530192	30054-1	9.00 IN. ± 0.5"	2 FT. 1 IN. ± 1"	28W48	29W48	30-0902	240V
1301530198	30054-6	5.0 FT. ± 1.0"	6 FT. 4 IN. ± 1.5"	28W48	29W48	30-0903	240V
1301530195	30054-25	24.0 FT. +2.0"/-0.0"	25 FT. 4 IN. +2.5"/-0.5"	28W48	29W48	30-0904	240V

FUNCTIONAL SYMBOLS		THIS DRAWING CONTAINS INFORMATION THAT IS PROPRIETARY TO MOLEX ELECTRONIC TECHNOLOGIES, LLC AND SHOULD NOT BE USED WITHOUT WRITTEN PERMISSION		CURRENT REV DESC: NEW SALES DRAWING CREATED				
$\frac{F}{A} = 0$	INCH	SCALE	NTS	GENERAL TOLERANCES (UNLESS SPECIFIED)				
$\frac{F}{C} = 0$	ANGULAR TOL		±	°		EC NO: 687929 DRWN: PPURSUTANDEL 2021/12/06 CHK'D: DNGUYEN62 2021/12/09 APPR: HKNEELAND 2022/01/18		
$\frac{F}{D} = 0$	4 PLACES		±					
DIVISIONAL SYMBOLS		3 PLACES		±			PRODUCT CUSTOMER DRAWING	
		2 PLACES		±			DOCUMENT NUMBER	
		1 PLACE		±			DOC TYPE	
		0 PLACES		±			DOC PART	
DRAFT WHERE APPLICABLE MUST REMAIN WITHIN DIMENSIONS		THIRD ANGLE PROJECTION		DRAWING		SERIES		
		D-SIZE		130153		MATERIAL NUMBER		
		SEE TABLE		GENERAL MARKET		SHEET NUMBER		
		1 OF 1						