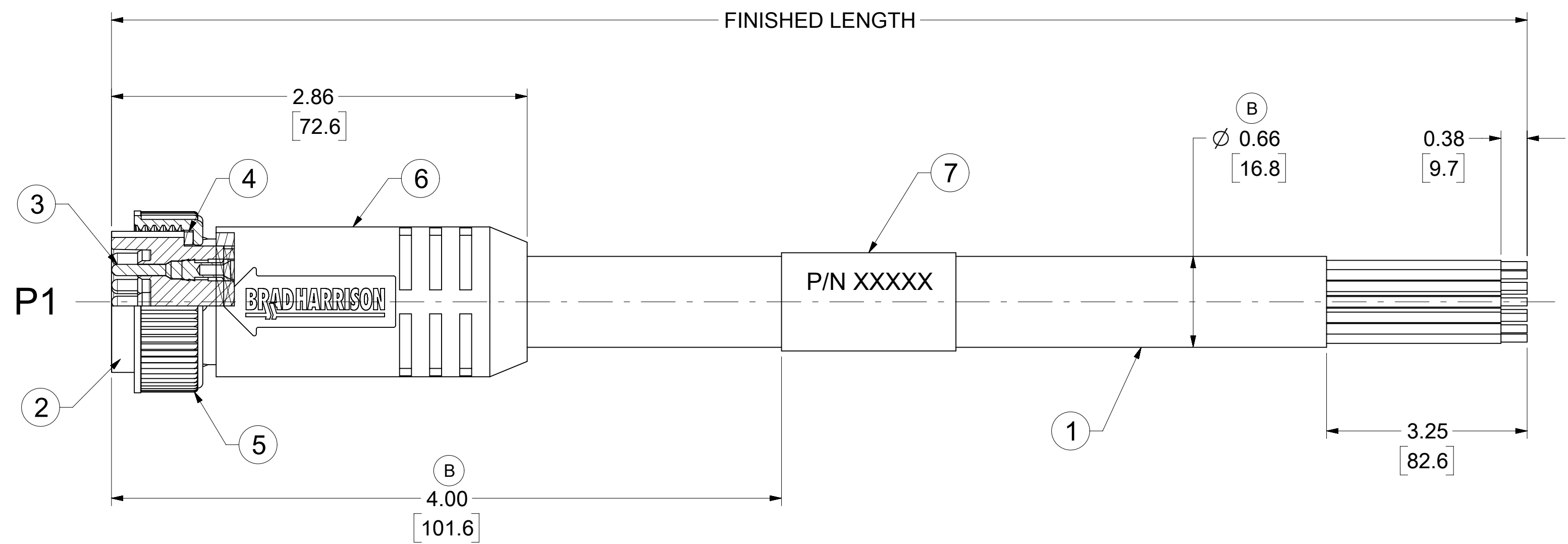
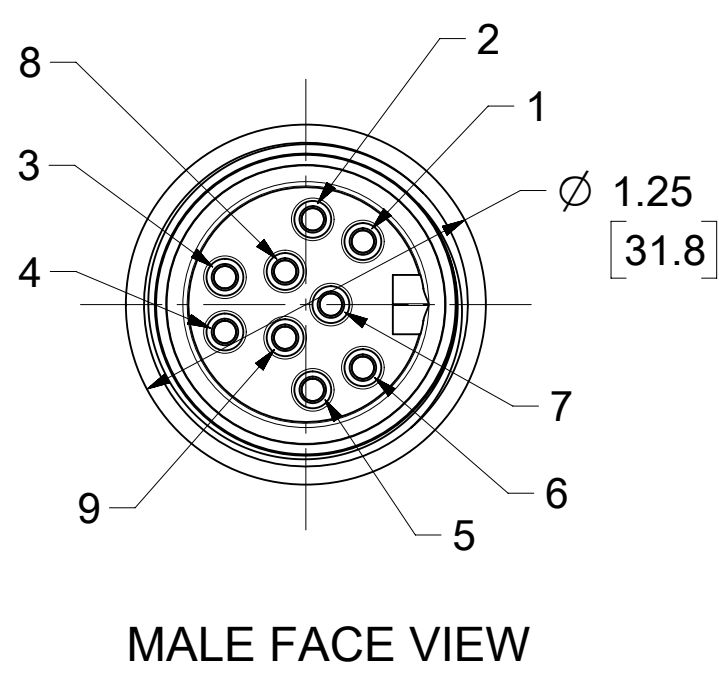
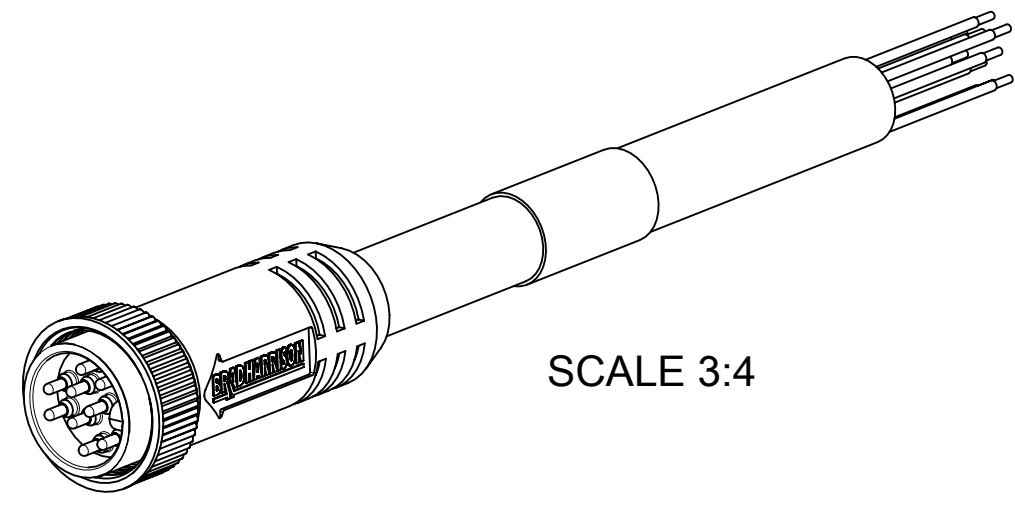


MATERIAL NO.	ENGINEERING NO.	FINISHED LENGTH
1300080364	309002A01F030	3 FT. (0.91 M)
1300080370	309002A01F200	20 FT. (6.10 M)
1300080373	309002A01F300	30 FT. (9.14 M)

**CABLE LENGTH TOLERANCES**  
 <.3M [1FT]: +19mm-0 [ +.75in-0]  
 .3 - .9M [1 - 3FT]: +44.5mm-0 [+1.75in-0]  
 .9 - 1.8M [3 - 6FT]: +55.6mm-0 [+2.19in-0]  
 1.8 - 3.7M [6 - 12FT]: +88.9mm-0 [+3.50in-0]  
 3.7 - 7.3M [12 - 24FT]: +165.1mm-0 [+6.50in-0]  
 7.3-14.6M [24 - 48FT]: +317.5mm-0 [+12.50in-0]  
 14.6 - 30.5M [48-100FT]: +622.3mm-0 [+24.50in-0]  
 OVER 30M [100FT] +2% OF FINISHED LENGTH



- NOTES:**
- MATERIAL: AS NOTED
  - FINISH: AS NOTED
  - ELECTRICAL:  
 VOLTAGE: 320V PER IEC60664 (B)  
 600V PER UL2238  
 CURRENT: 7A
  - TEMP RATING: -20°C TO +105°C (B)
  - PROTECTION: IP67 (WHEN MATED)
  - CSA CERTIFIED FILE: LR6837 (B)
  - UL RECOGNIZED FILE: E152210 (B)
  - COUPLING THREAD: 1 1/8"-16UN
  - ASSEMBLY IS ROHS COMPLIANT
  - ALL DIMS ARE FOR REFERENCE UNLESS TOLERANCED OR NOTED OTHERWISE

**WIRING DIAGRAM**

P1	Color
1	ORANGE
2	BLUE
3	RED/BLACK TRACE
4	GREEN/BLACK TRACE
5	WHITE
6	RED
7	GREEN - GND
8	WHITE/BLACK TRACE
9	BLACK

**PART NUMBER MATRIX (B)**

**309002A01F030**

FINISHED LENGTH  
 F001= .1 FT  
 F020= 2 FT  
 F200= 20 FT

7	LABEL	VINYL	BLACK/YELLOW
6	OVERMOLD	TPE	YELLOW
5	COUPLING NUT	ZINC DIE CAST	BLACK E-COAT
4	FRICTION RING	NYLON	NATURAL
3	PIN CONTACT	Cu ALLOY	GOLD OVER NICKEL
2	MALE INSERT	TPE	YELLOW
1	#16-9 CABLE,STOOW/ST	PVC JACKET	YELLOW
ITEM	DESCRIPTION	MATERIAL	FINISH

THIS DRAWING CONTAINS INFORMATION THAT IS PROPRIETARY TO MOLEX ELECTRONIC TECHNOLOGIES, LLC AND SHOULD NOT BE USED WITHOUT WRITTEN PERMISSION

DIMENSION UNITS	SCALE	CURRENT REV DESC: UPDATED ITEM #2,6,7, LABEL DIM. AND MATERIAL P/N TABLE. ADDED CSA, UL, IEC VOLT, TEMP RATING, IP RATING, TOL. CHART, PART NUMBER MATRIX AND CABLE DIA.	<b>molex</b>		
INCH/MM	1.5:1				
GENERAL TOLERANCES (UNLESS SPECIFIED)		EC NO: 673727	MINI-CHANGE CORDSET, C SIZE 9 POLE, MALE, STRAIGHT, SINGLE KEY, 16AWG		
4 PLACES	±	DRWN: AKABADI	PRODUCT CUSTOMER DRAWING		
3 PLACES	±	CHK'D: RSTONE	DOCUMENT NUMBER		
2 PLACES	±	APPR: BWOODMAN	SD-130008-010		
1 PLACE	±	INITIAL REVISION:	DOC TYPE   DOC PART   REVISION		
0 PLACES	±	DRWN: BRUPERT	PSD   001   B		
ANGULAR TOL	± 0.5 °	APPR: JFMURPHY	MATERIAL NUMBER   CUSTOMER   SHEET NUMBER		
DRAFT WHERE APPLICABLE MUST REMAIN WITHIN DIMENSIONS		THIRD ANGLE PROJECTION	DRAWING	SERIES	SEE TABLE   GENERAL MARKET   1 OF 1