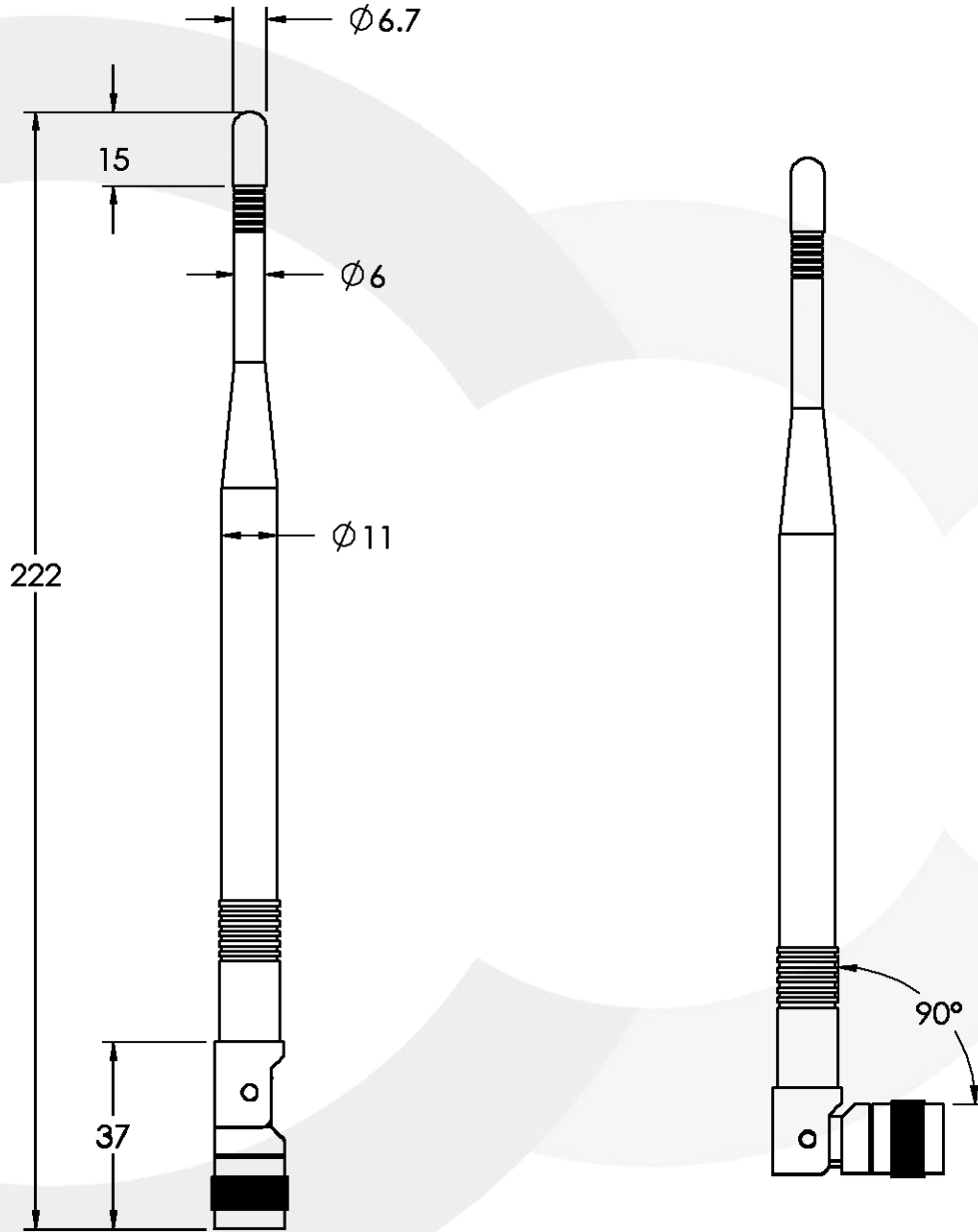


SWIVEL DIPOLE 890 – 960 GHZ – GAIN : 2 dBi
SMA - Male
OMNIDIRECTIONAL ANTENNA

SPDA24918

Series : ANTENNA



All dimensions are in mm

Issue : 0710

In the effort to improve our products, we reserve the right to make changes judged to be necessary.



SWIVEL DIPOLE 890 – 960 GHZ – GAIN : 2 dBi
SMA - Male
OMNIDIRECTIONAL ANTENNA

SPDA24918
Series : ANTENNA

ELECTRICAL SPECIFICATIONS

| | |
|--------------------------|--------------------------|
| Frequency :..... | 890 - 960 MHz |
| Nominal Impedance :..... | 50 Ω |
| Antenna Type: | Sleeve dipole |
| VSWR :..... | 2:1 Maxi. |
| VSWR :..... | 1.5:1 Typical |
| Peak Gain : | +2.0 dBi +/- 1 dB |
| Average Gain: | +1.5 dBi +/- 1 dB |
| Gain Ripple: | +/- 0.5 dB |

Radiation Pattern

-3 dB beamwidth

| | |
|--------------------|----------------|
| Horizontal Plane : | 360° |
| Vertical Plane : | 76° ±3° |

| | |
|----------------------|-----------------|
| Polarization : | VERTICAL |
|----------------------|-----------------|

| | |
|---------------------------|------------|
| Power withstanding :..... | 2 W |
|---------------------------|------------|

| | |
|------------------------|-----------------|
| Connector type : | SMA Male |
|------------------------|-----------------|

| | |
|--------------------|-------------|
| Cable type : | none |
|--------------------|-------------|

MECHANICAL SPECIFICATIONS

| | |
|------------------------|---------------------|
| Plastic radome : | Polyurethane |
| Color :..... | Black |

SWIVEL DIPOLE 890 – 960 GHZ – GAIN : 2 dBi
SMA - Male
OMNIDIRECTIONAL ANTENNA

SPDA24918

Series : ANTENNA

Weight :

26 g

Overall length :

222 mm
8.75 inches

ENVIRONMENTAL SPECIFICATIONS

Operating temperature :

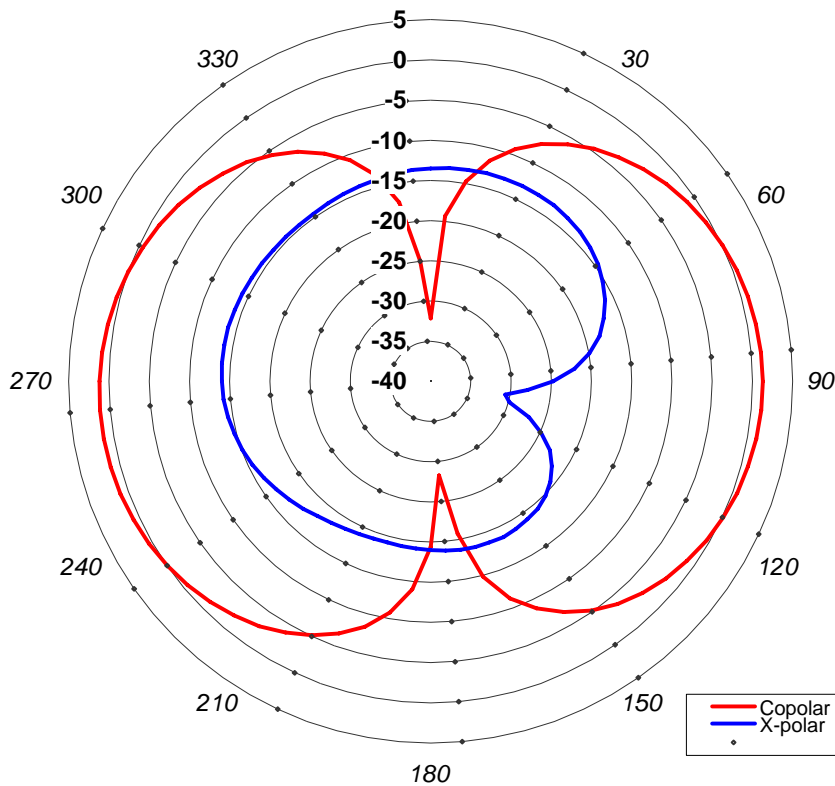
-30/+60 ° C

Humidity:

Up to 100% @ 38°C

CURVES

**Gain, Dipolar Plane
dBi**



Issue : 0710

In the effort to improve our products, we reserve the right to make changes judged to be necessary.

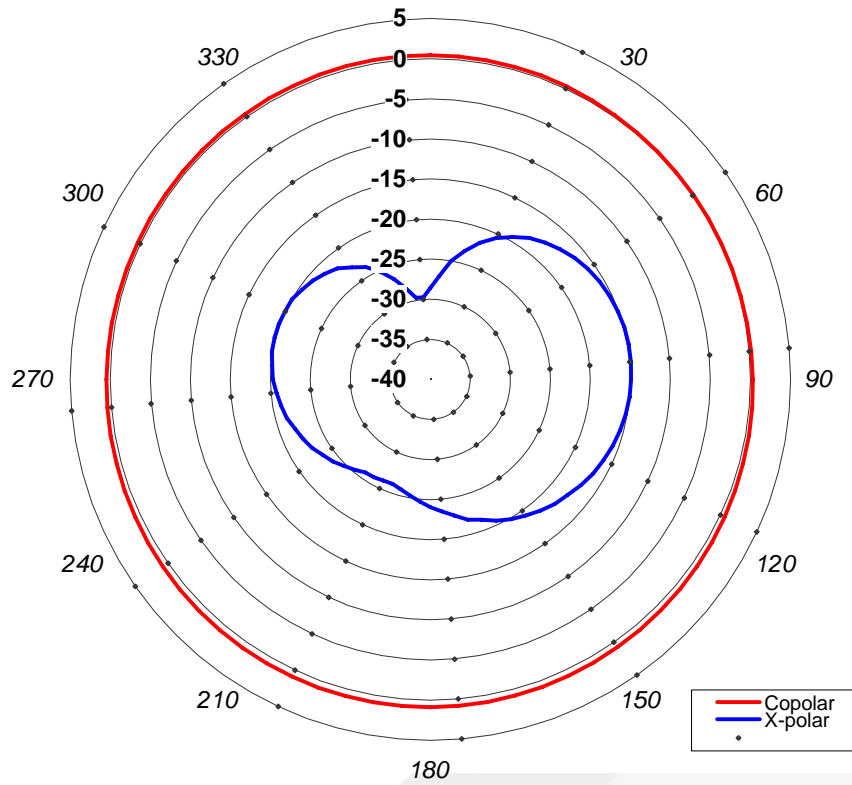


SWIVEL DIPOLE 890 – 960 GHZ – GAIN : 2 dBi
SMA - Male
OMNIDIRECTIONAL ANTENNA

SPDA24918

Series : ANTENNA

Gain, Omnidirectional Plane
dBi



Issue : 0710

In the effort to improve our products, we reserve the right to make changes judged to be necessary.

