

## Tiny Package, High Efficiency, Step-up DC/DC Converter

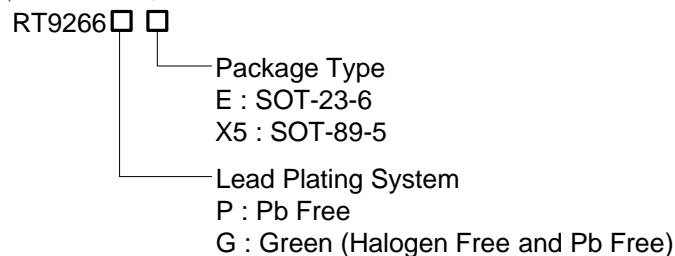
### General Description

The RT9266 is a compact, high efficiency, and low voltage step-up DC/DC converter with an Adaptive Current Mode PWM control loop, includes an error amplifier, ramp generator, comparator, switch pass element and driver in which providing a stable and high efficient operation over a wide range of load currents. It operates in stable waveforms without external compensation.

The low start-up input voltage below 1V makes RT9266 suitable for 1 to 4 battery cells applications of providing up to 300mA output current. The 450kHz high switching rate minimized the size of external components. Besides, the 17μA low quiescent current together with high efficiency maintains long battery lifetime.

The output voltage is set with two external resistors. Both internal 2A switch and driver for driving external power devices (NMOS or NPN) are provided.

### Ordering Information



Note :

Richtek products are :

- ▶ RoHS compliant and compatible with the current requirements of IPC/JEDEC J-STD-020.
- ▶ Suitable for use in SnPb or Pb-free soldering processes.

### Marking Information

For marking information, contact our sales representative directly or through a Richtek distributor located in your area.

### Features

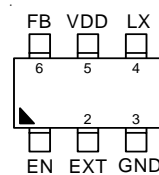
- 1.0V Low Start-up Input Voltage
- High Supply Capability to Deliver 3.3V 100mA with 1 Alkaline Cell
- 17μA Quiescent (Switch-off) Supply Current
- Zero Shutdown Mode Supply Current
- 90% Efficiency
- 450kHz Fixed Switching Frequency
- Providing Flexibility for Using Internal and External Power Switches
- Small SOT-23-6 & SOT-89-5 Package
- RoHS Compliant and 100% Lead (Pb)-Free

### Applications

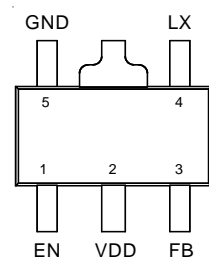
- PDA
- DSC
- LCD Panel
- RF-Tags
- MP3
- Portable Instrument
- Wireless Equipment

### Pin Configurations

(TOP VIEW)



SOT-23-6



SOT-89-5

Typical Application Circuit

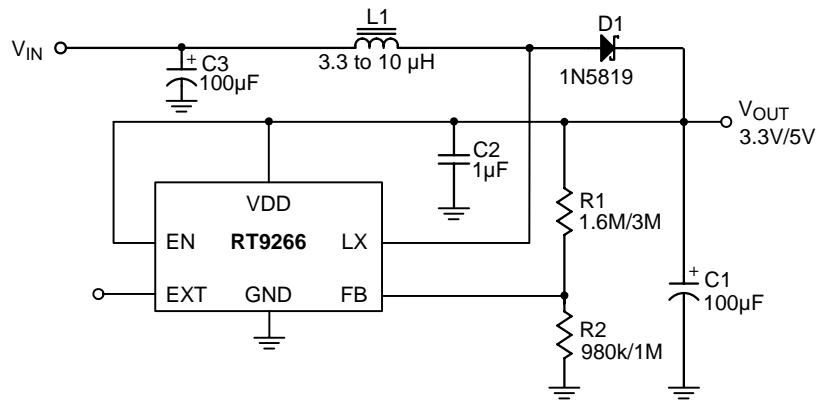


Figure 1. RT9266 Typical Application for Portable Instruments

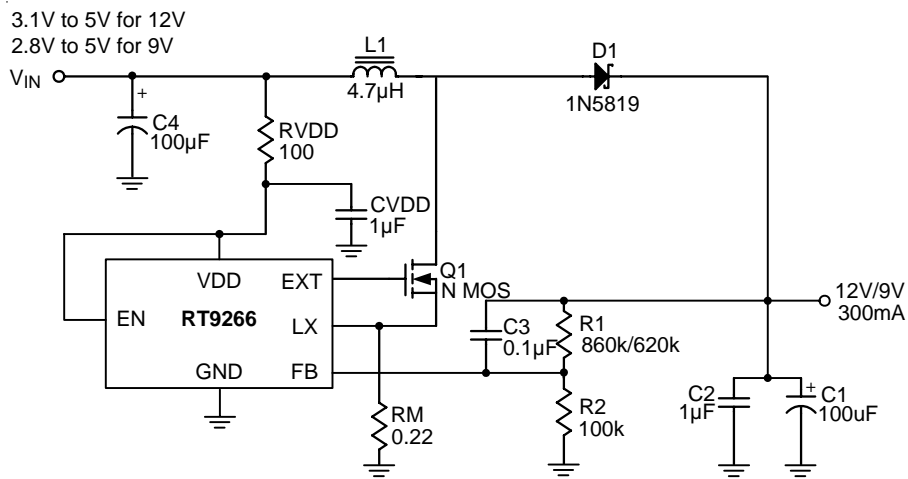


Figure 2. RT9266 High Voltage Applications

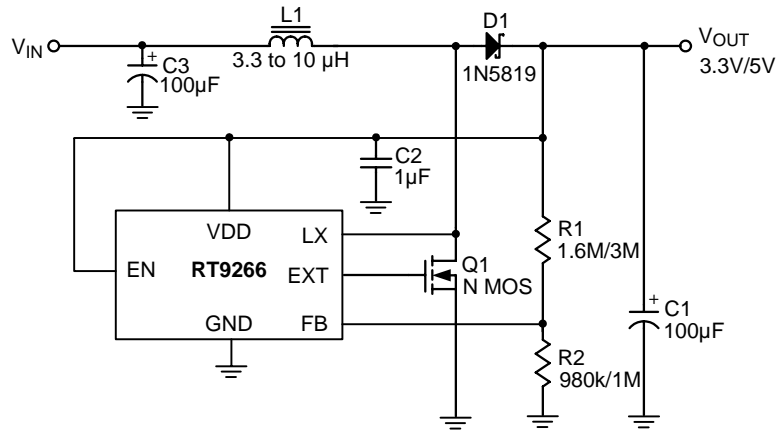


Figure 3. RT9266 for Higher Current Applications

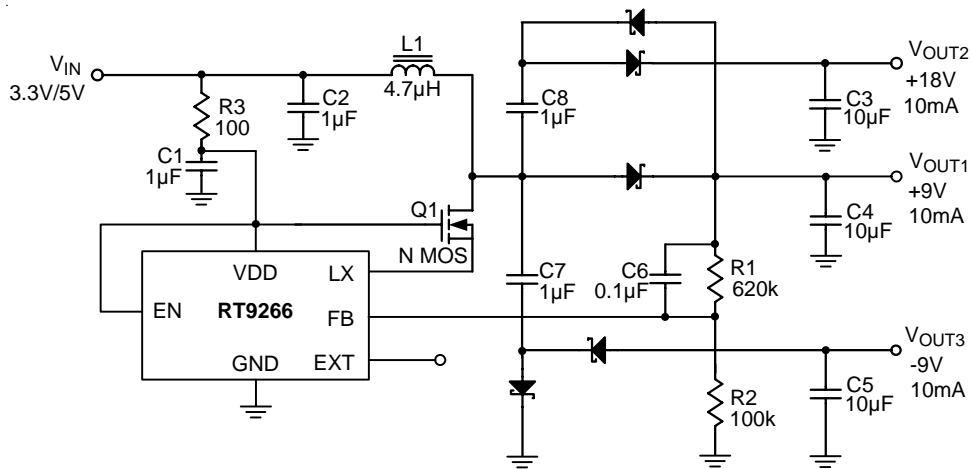
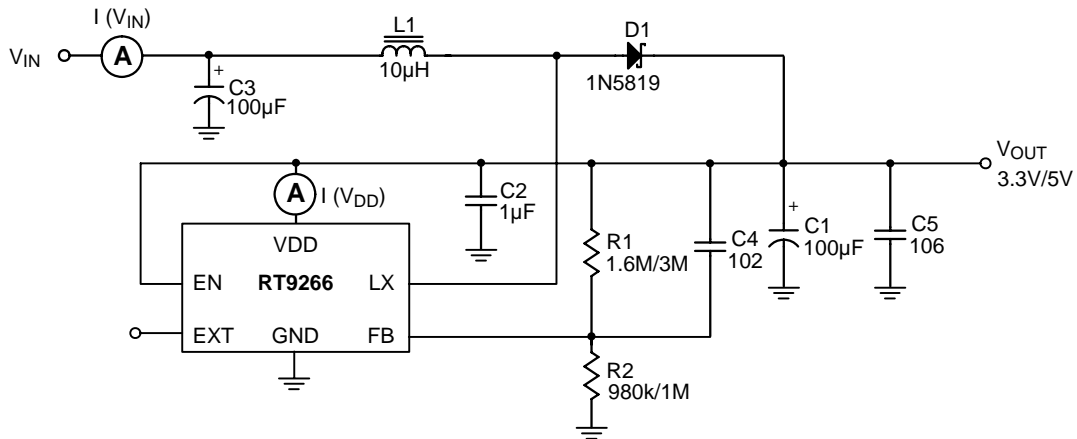


Figure 4. RT9266 for Multi-Output Applications

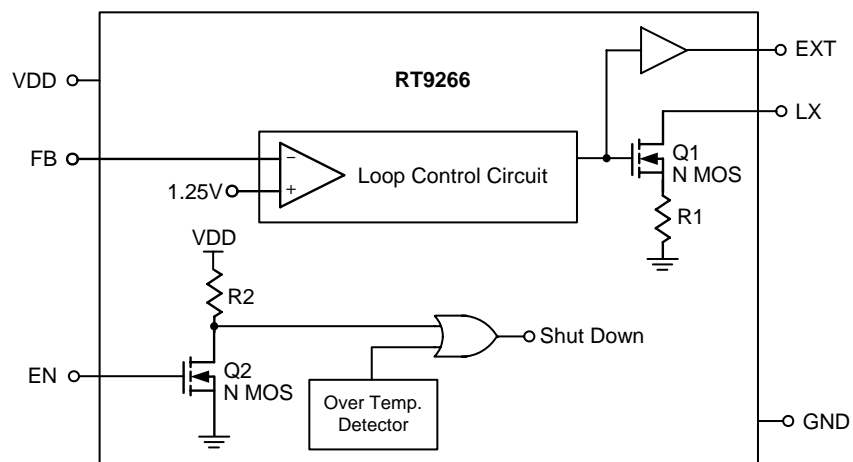
## Test Circuit



## Functional Pin Description

Pin No.		Pin Name	Pin Function
SOT-23-6	SOT-89-5		
1	1	EN	Chip Enable (Active High).
2	--	EXT	Output Pin for Driving External N-MOSFET.
3	5	GND	Ground.
4	4	LX	Pin for Switching.
5	2	VDD	Input Positive Power Pin of RT9266.
6	3	FB	Feedback Input Pin. Internal Reference Voltage for the Error Amplifier is 1.25V.

## Function Block Diagram



**Absolute Maximum Ratings**

- Supply Voltage ----- -0.3V to 7V
- LX Pin Switch Voltage ----- -0.3V to 7V
- Other I/O Pin Voltages ----- -0.3V to (V<sub>DD</sub> + 0.3V)
- LX Pin Switch Current ----- 2.5A
- EXT Pin Driver Current ----- 200mA
- Package Thermal Resistance
  - SOT-23-6,  $\theta_{JC}$  ----- 145°C/W
  - SOT-89-5,  $\theta_{JC}$  ----- 45°C/W
- Operating Junction Temperature ----- 125°C
- Storage Temperature Range ----- -65°C to +150°C

**NOTE:**

Absolute Maximum ratings are threshold limit values that must not be exceeded even for an instant under any conditions. Moreover, such values for any two items must not be reached simultaneously. Operation above these absolute maximum ratings may cause degradation or permanent damage to the device. These are stress ratings only and do not necessarily imply functional operation below these limits

**Recommended Operating Conditions (1)**

- Junction Temperature Range ----- -40°C to 125°C
- Ambient Temperature Range ----- -40°C to 85°C

**Electrical Characteristics**

(V<sub>IN</sub> = 1.5V, V<sub>DD</sub> set to 3.3V, Load Current = 0, T<sub>A</sub> = 25°C, unless otherwise specified)

Parameter	Symbol	Test Conditions	Min	Typ	Max	Unit
Start-UP Voltage	V <sub>ST</sub>	I <sub>L</sub> = 1mA	--	0.98	1.05	V
Operating VDD Range	V <sub>DD</sub>	V <sub>DD</sub> pin voltage	2	--	6	V
Shutdown Current I (V <sub>IN</sub> )	I <sub>OFF</sub>	EN Pin = 0V, V <sub>IN</sub> = 4.5V	--	0.01	1	μA
Switch-off Current I (VDD)	I <sub>SWITCH OFF</sub>	V <sub>IN</sub> = 6V	--	17	25	μA
Continuous Switching Current	I <sub>SWITCH</sub>	V <sub>IN</sub> = EN = 3.3V, V <sub>FB</sub> = GND	0.4	0.55	0.7	mA
No Load Current I (V <sub>IN</sub> )	I <sub>NO LOAD</sub>	V <sub>IN</sub> = 1.5V, V <sub>OUT</sub> = 3.3V	--	75 <sup>(2)</sup>	--	μA
Feedback Reference Voltage	V <sub>REF</sub>	Close Loop, V <sub>DD</sub> = 3.3V	1.225	1.25	1.275	V
Switching Frequency	F <sub>S</sub>	V <sub>DD</sub> = 3.3V	425	500	575	kHz
Maximum Duty	D <sub>MAX</sub>	V <sub>DD</sub> = 3.3V	85	95	--	%
LX ON Resistance		V <sub>DD</sub> = 3.3V	--	0.3	1.1	Ω
Current Limit Setting	I <sub>LIMIT</sub>	V <sub>DD</sub> = 3.3V	1.6	2	2.6 <sup>(3)</sup>	A
EXT ON Resistance to VDD		V <sub>DD</sub> = 3.3V	--	5	8.5	Ω
EXT ON Resistance to GND		V <sub>DD</sub> = 3.3V	--	5	8.5	Ω

Parameter	Symbol	Test Conditions	Min	Typ	Max	Unit
Line Regulation	$\Delta V_{LINE}$	$V_{IN} = 3.5 \sim 6V, I_L = 1mA$	--	1.5	10	mV/V
Load Regulation	$\Delta V_{LOAD}$	$V_{IN} = 2.5V, I_L = 1 \sim 100mA$	--	0.25 <sup>(4)</sup>	--	mV/mA
EN Pin Trip Level		$V_{DD} = 3.3V$	0.4	0.8	1.2	V
Temperature Stability for $V_{OUT}$	$T_S$		--	50	--	ppm/°C
Thermal Shutdown Hysteresis	$\Delta T_{SD}$		--	10	--	°C

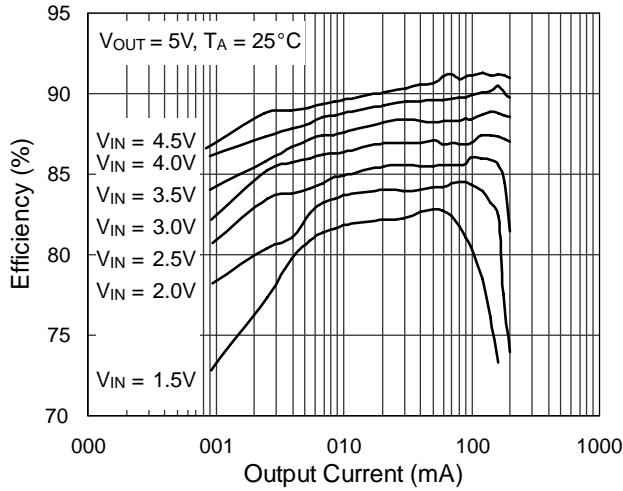
Note :

- (1). The device is not guaranteed to function outside its operating conditions.
- (2). No Load Current is highly dependent on practical system design and component selection that cannot be covered by production testing. Typical No Load Current is verified by typical application circuit with recommended components. No Load Current performance is guaranteed by Switch Off Current and Continuous Switching Current.
- (3). Current Limit is guaranteed by design at  $T_A = 25^\circ C$ .
- (4). Load Regulation is not tested at production due to practical instrument limitation. Load Regulation performance is dominantly dependent on DC loop gain and LX ON Resistance that are guaranteed by "Line Regulation" and "LX ON Resistance" tests in production.

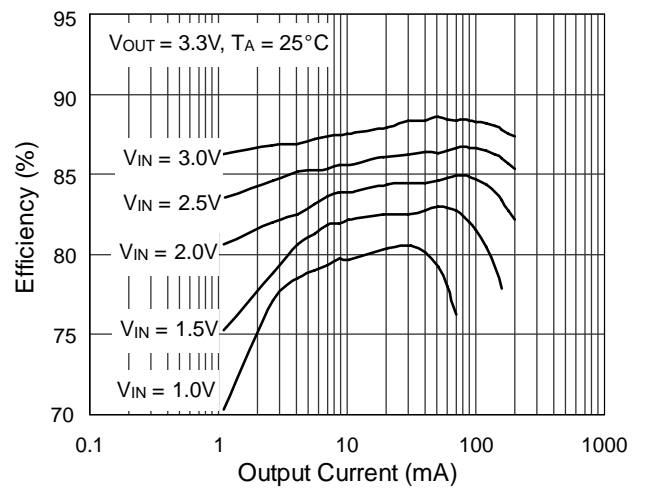
**Typical Operating Characteristics**

(Refer to Test Circuit)

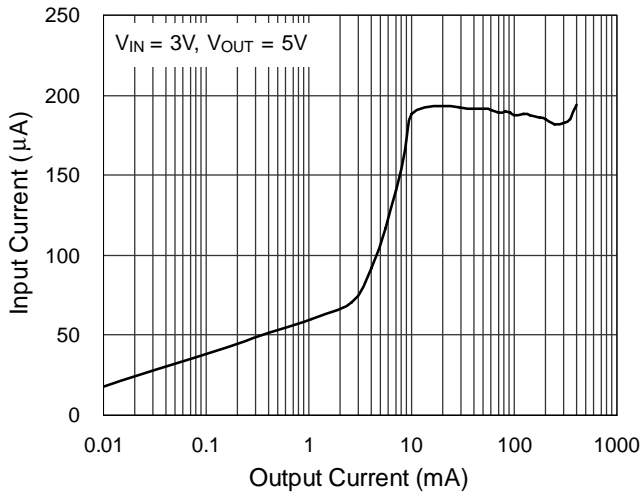
**Efficiency vs. Output Current**



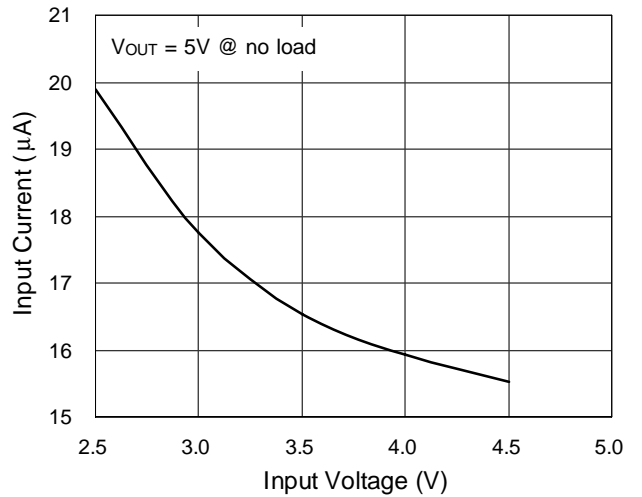
**Efficiency vs. Output Current**



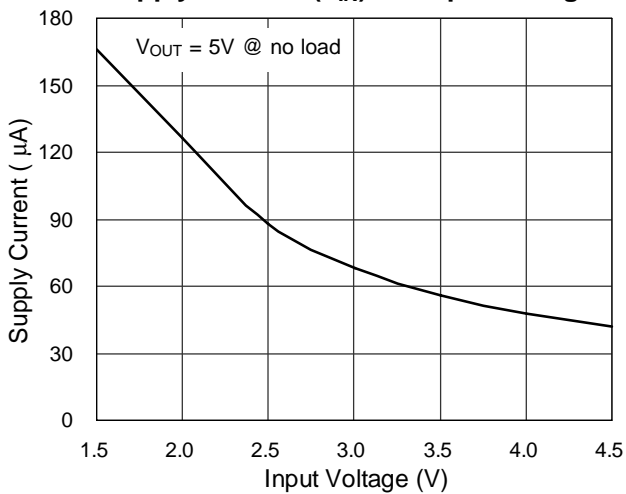
**Input Current  $I(V_{DD})$  vs. Output Current**



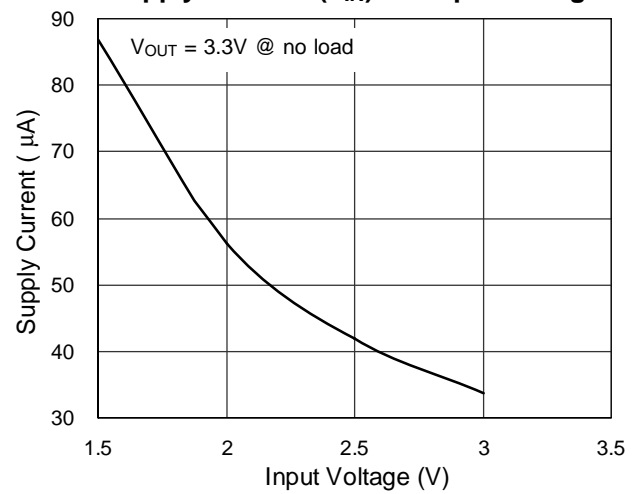
**Input Current  $I(V_{DD})$  vs. Input Voltage**



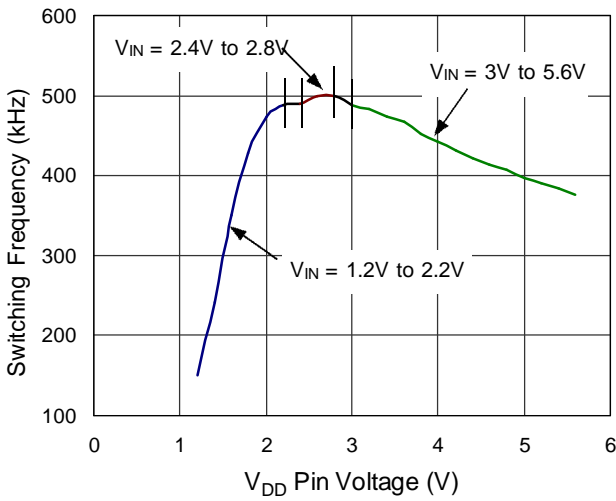
**Supply Current  $I(V_{IN})$  vs. Input Voltage**



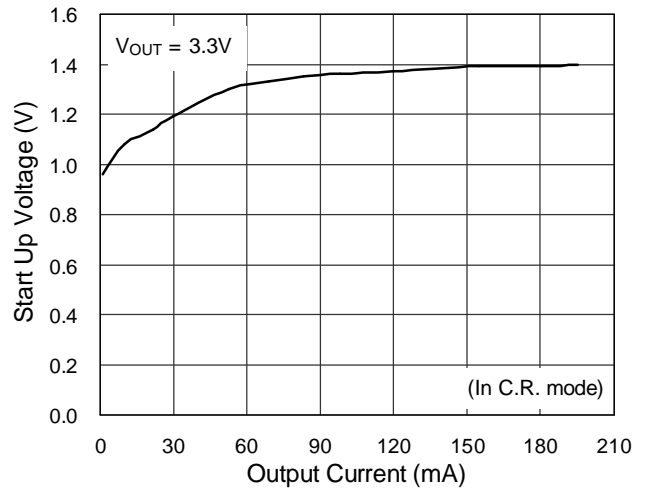
**Supply Current  $I(V_{IN})$  vs. Input Voltage**



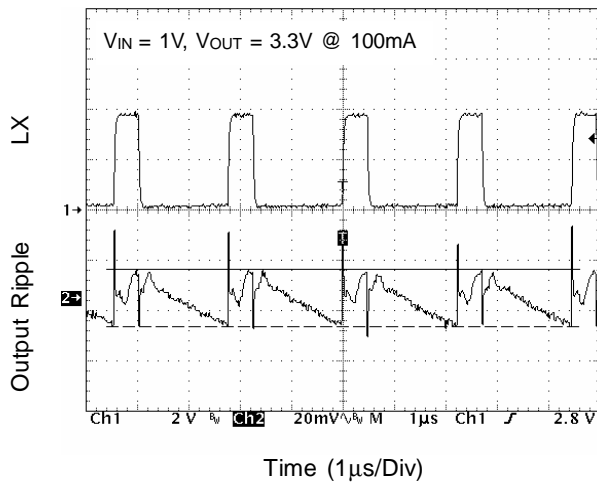
### Switching Frequency vs. V<sub>DD</sub> Pin Voltage



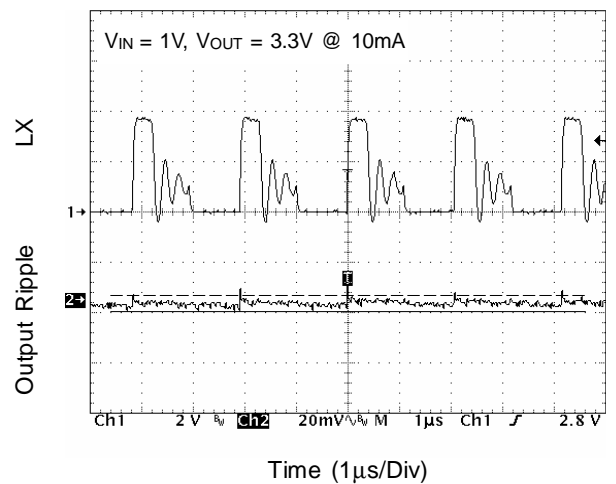
### Start Up Voltage vs. Output Current



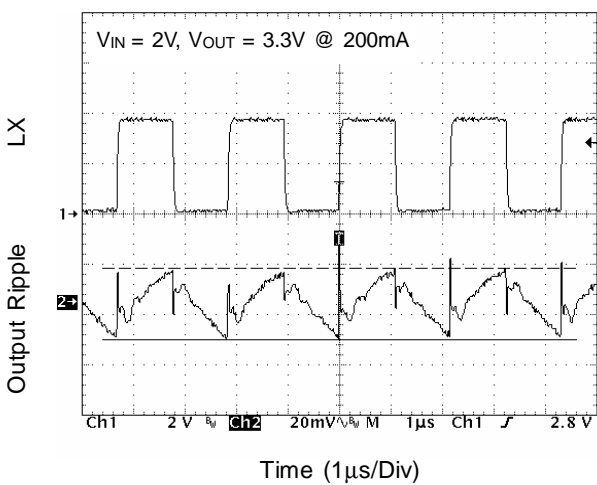
### LX & Output Ripple



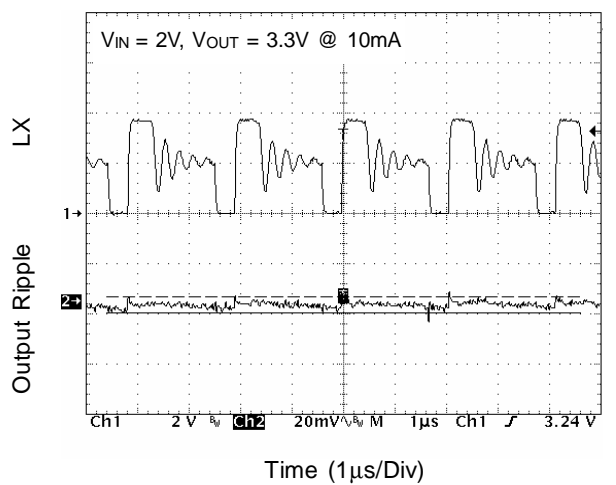
### LX & Output Ripple



### LX & Output Ripple

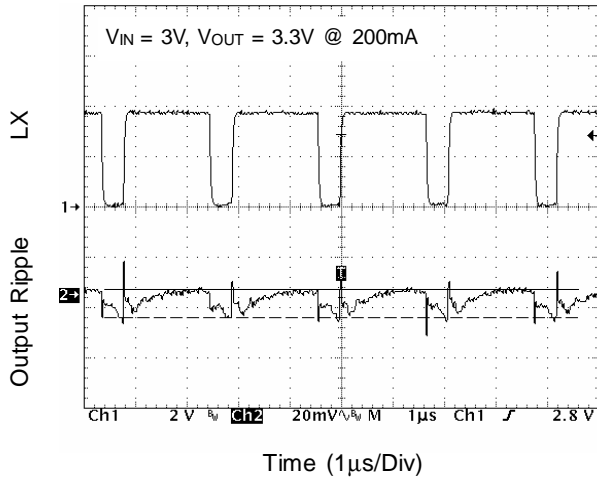


### LX & Output Ripple

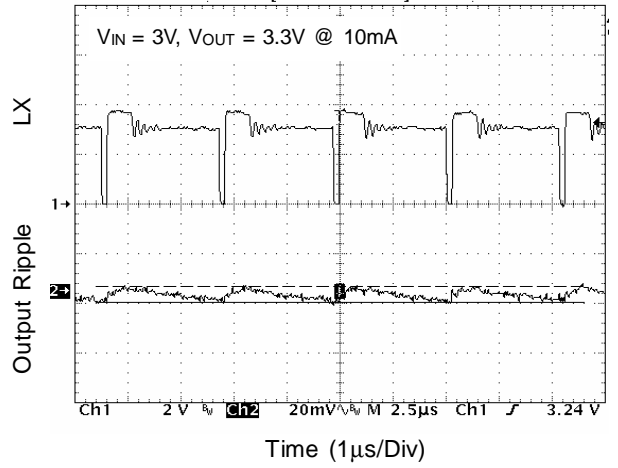




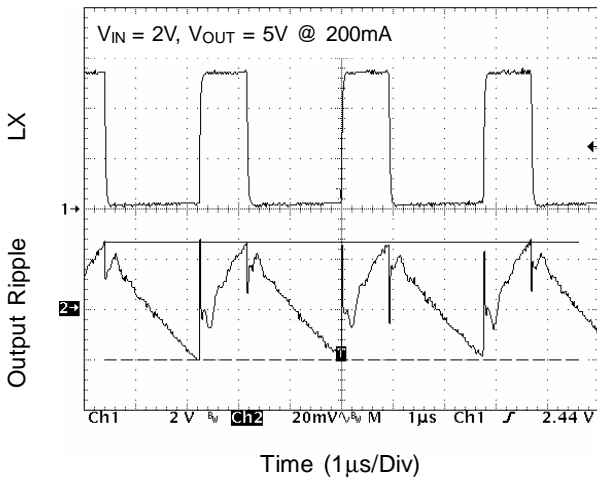
LX & Output Ripple



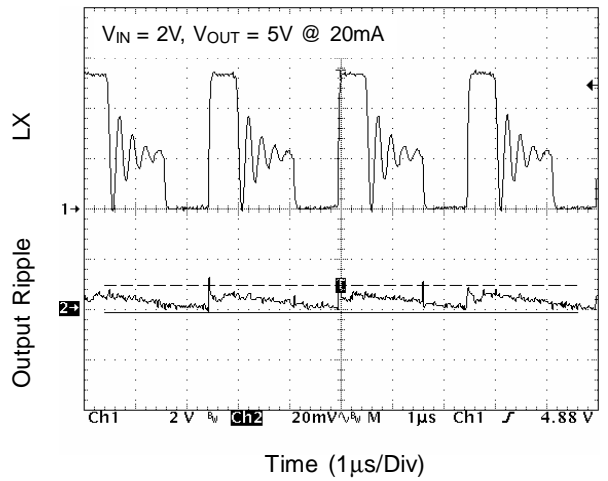
LX & Output Ripple



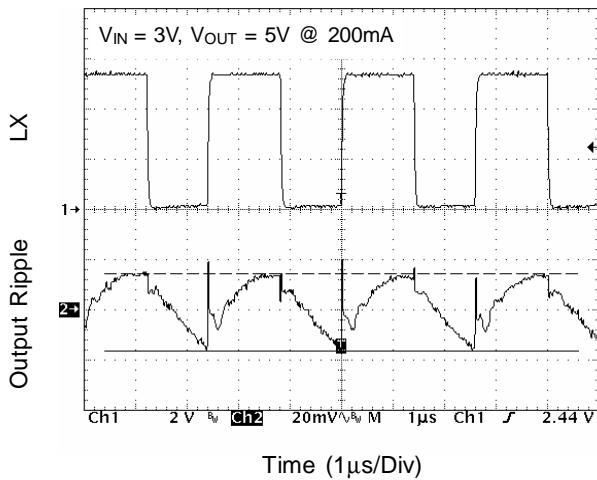
LX & Output Ripple



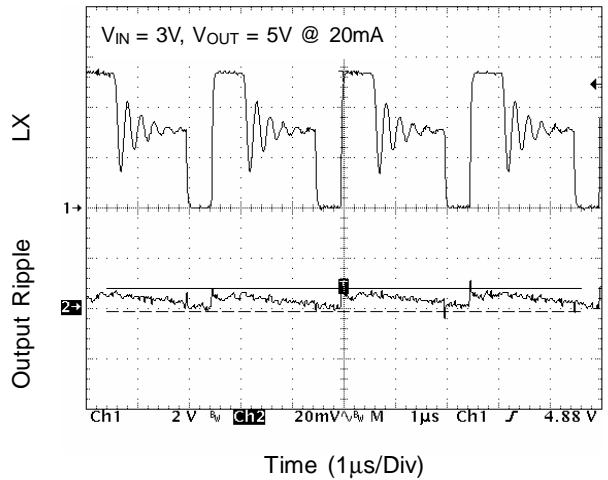
LX & Output Ripple



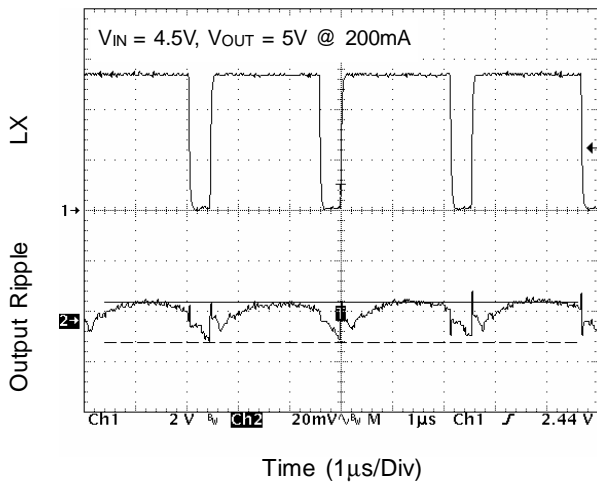
LX & Output Ripple



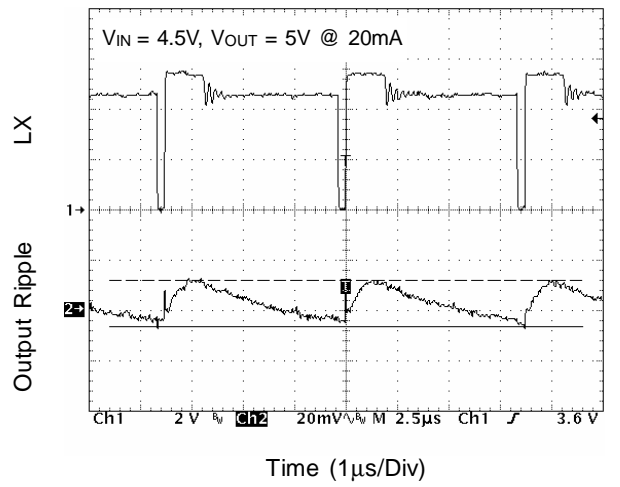
LX & Output Ripple



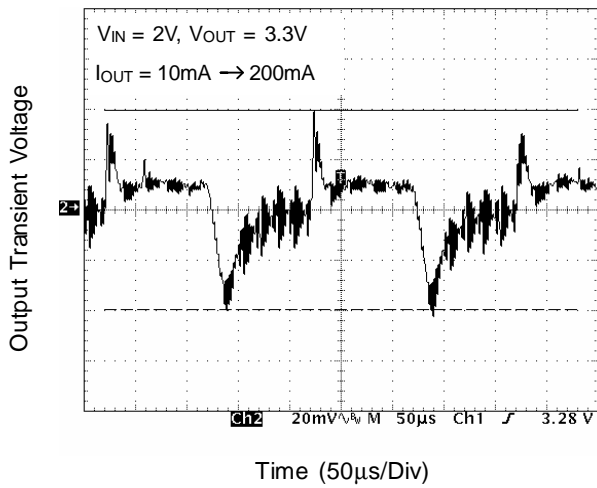
LX & Output Ripple



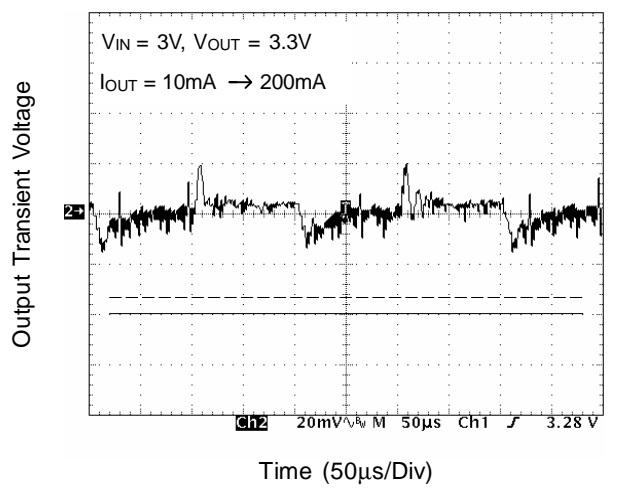
LX & Output Ripple



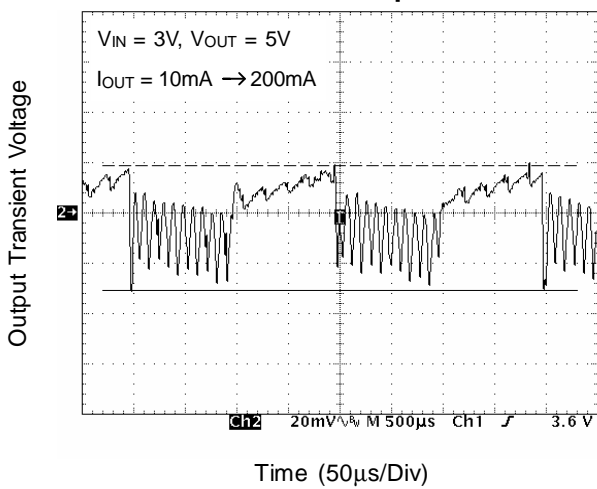
Transient Response



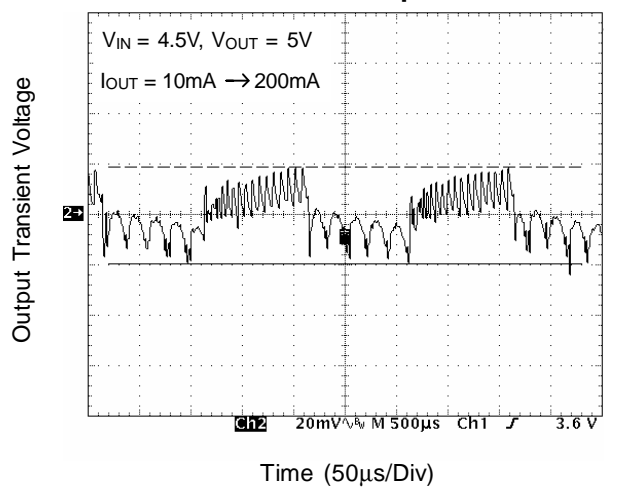
Transient Response

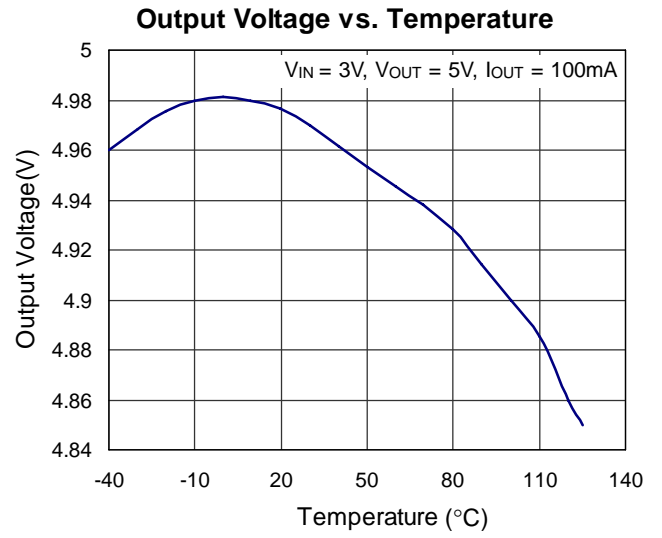
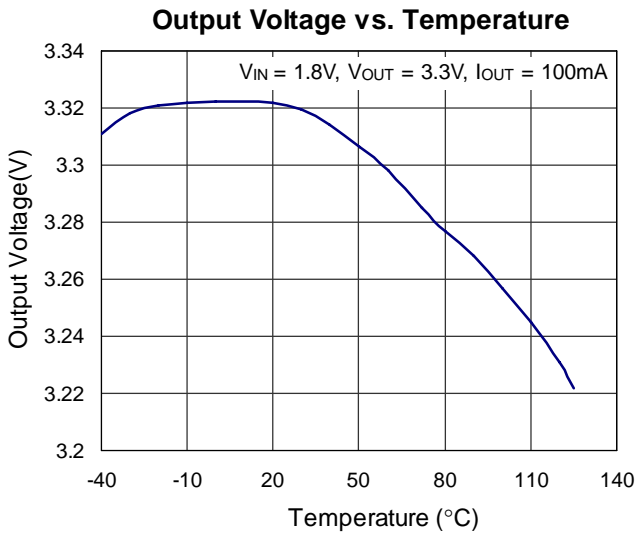


Transient Response



Transient Response





## Application Information

### Output Voltage Setting

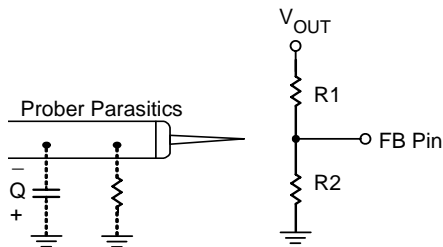
Referring to Typical Application Circuits, the output voltage of the switching regulator ( $V_{OUT}$ ) can be set with Equation (1).

$$V_{OUT} = \left(1 + \frac{R1}{R2}\right) \times 1.25V \quad (1)$$

### Feedback Loop Design

Referring to Typical Application Circuits. The selection of R1 and R2 based on the trade-off between quiescent current consumption and interference immunity is stated below:

- Follow Equation (1)
- Higher R reduces the quiescent current (Path current =  $1.25V/R2$ ), however resistors beyond  $5M\Omega$  are not recommended.
- Lower R gives better noise immunity, and is less sensitive to interference, layout parasitics, FB node leakage, and improper probing to FB pins.



- A proper value of feed forward capacitor parallel with R1 can improve the noise immunity of the feedback loops, especially in an improper layout. An empirical suggestion is around  $0\sim 33pF$  for feedback resistors of  $M\Omega$ , and  $10nF\sim 0.1\mu F$  for feedback resistors of tens to hundreds  $k\Omega$ .

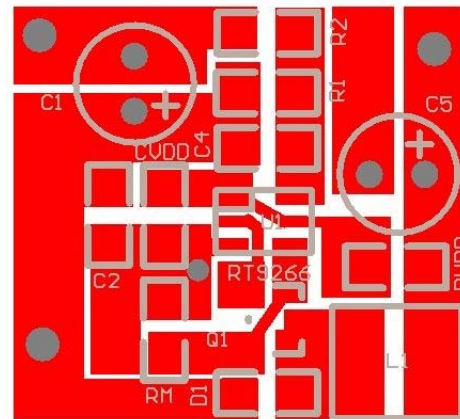
For applications without standby or suspend modes, lower values of R1 and R2 are preferred. For applications concerning the current consumption in standby or suspend modes, the higher values of R1 and R2 are needed. Such “high impedance feedback loops” are sensitive to any interference, which require careful layout and avoid any interference, e.g. probing to FB pin.

### Layout Guide

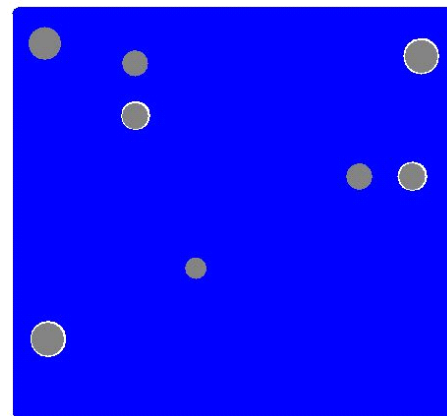
- A full GND plane without gap break.
- $V_{DD}$  to GND noise bypass – Short and wide connection for the  $1\mu F$  MLCC capacitor between Pin5 and Pin3.
- $V_{IN}$  to GND noise bypass – Add a capacitor close to L1 inductor, when  $V_{IN}$  is not an idea voltage source.
- Minimized FB node copper area and keep far away from noise sources.
- Minimized parasitic capacitance connecting to LX and EXT nodes, which may cause additional switching loss.

### Board Layout Example (2-Layer Board)

(Refer to Typical Application Circuits Figure 2 for the board)

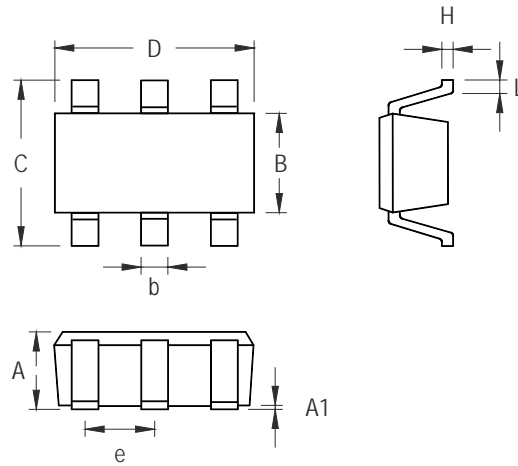


- Top Layer -



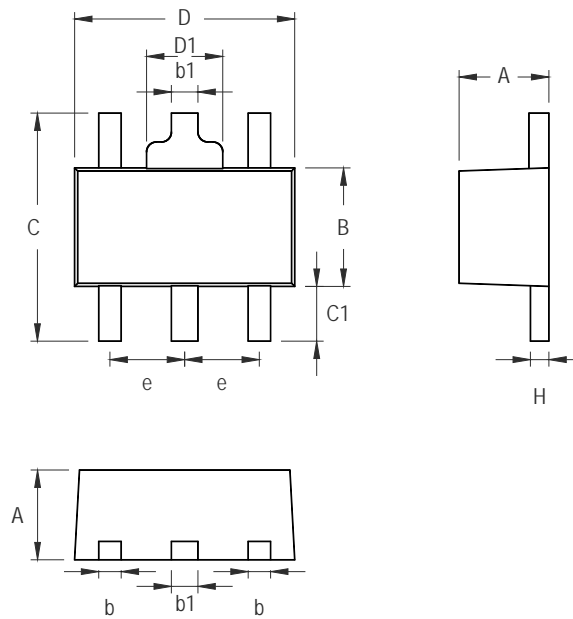
- Bottom Layer -

**Outline Dimension**



Symbol	Dimensions In Millimeters		Dimensions In Inches	
	Min	Max	Min	Max
A	0.889	1.295	0.031	0.051
A1	0.000	0.152	0.000	0.006
B	1.397	1.803	0.055	0.071
b	0.250	0.560	0.010	0.022
C	2.591	2.997	0.102	0.118
D	2.692	3.099	0.106	0.122
e	0.838	1.041	0.033	0.041
H	0.080	0.254	0.003	0.010
L	0.300	0.610	0.012	0.024

**SOT-23-6 Surface Mount Package**



Symbol	Dimensions In Millimeters		Dimensions In Inches	
	Min	Max	Min	Max
A	1.397	1.600	0.055	0.063
b	0.356	0.508	0.014	0.020
B	2.388	2.591	0.094	0.102
b1	0.406	0.533	0.016	0.021
C	3.937	4.242	0.155	0.167
C1	0.787	1.194	0.031	0.047
D	4.394	4.597	0.173	0.181
D1	1.397	1.702	0.055	0.067
e	1.397	1.600	0.055	0.063
H	0.356	0.432	0.014	0.017

**5-Lead SOT-89 Surface Mount Package**

**Richtek Technology Corporation**

5F, No. 20, Taiyuen Street, Chupei City

Hsinchu, Taiwan, R.O.C.

Tel: (8863)5526789

Richtek products are sold by description only. Richtek reserves the right to change the circuitry and/or specifications without notice at any time. Customers should obtain the latest relevant information and data sheets before placing orders and should verify that such information is current and complete. Richtek cannot assume responsibility for use of any circuitry other than circuitry entirely embodied in a Richtek product. Information furnished by Richtek is believed to be accurate and reliable. However, no responsibility is assumed by Richtek or its subsidiaries for its use; nor for any infringements of patents or other rights of third parties which may result from its use. No license is granted by implication or otherwise under any patent or patent rights of Richtek or its subsidiaries.