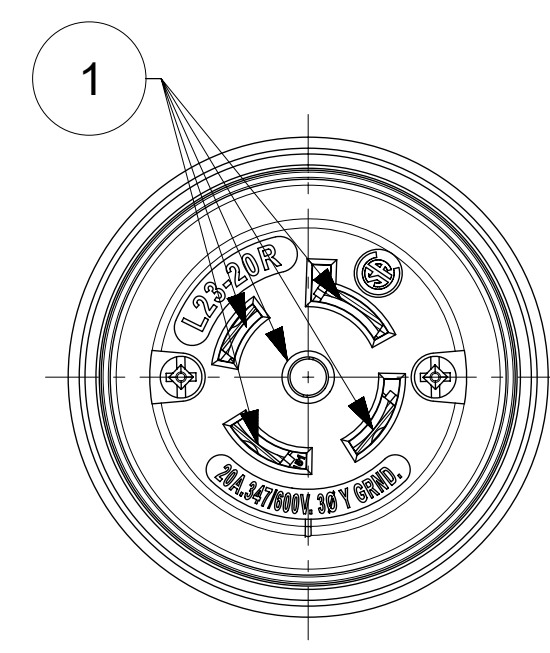
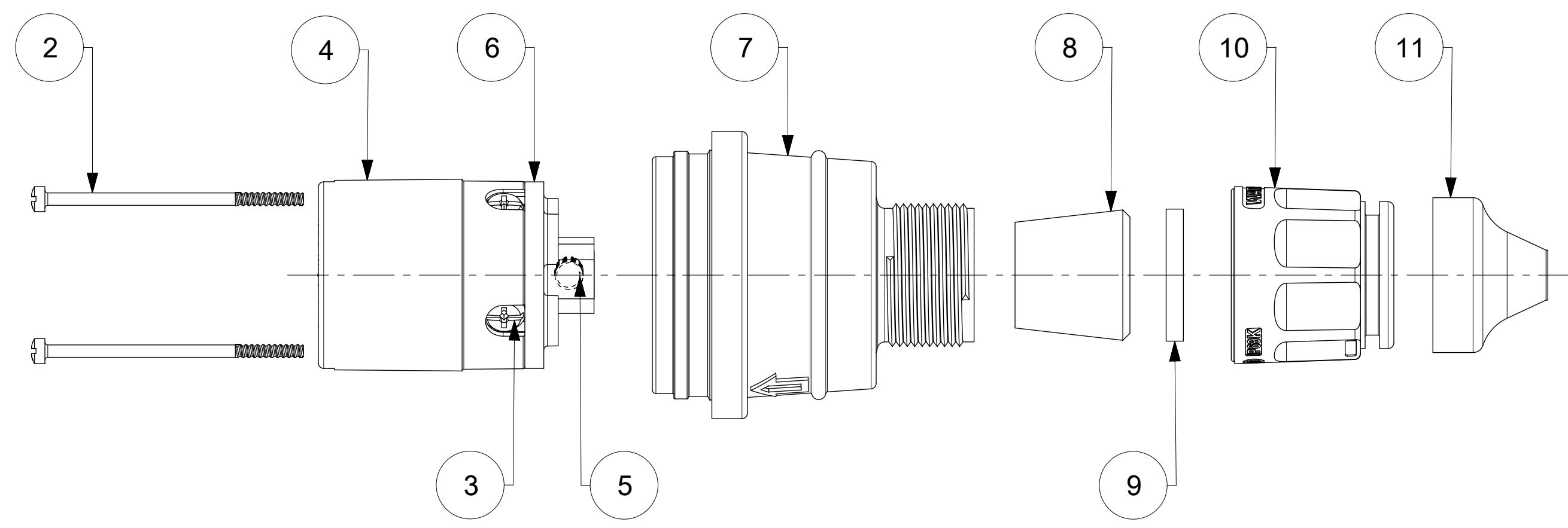
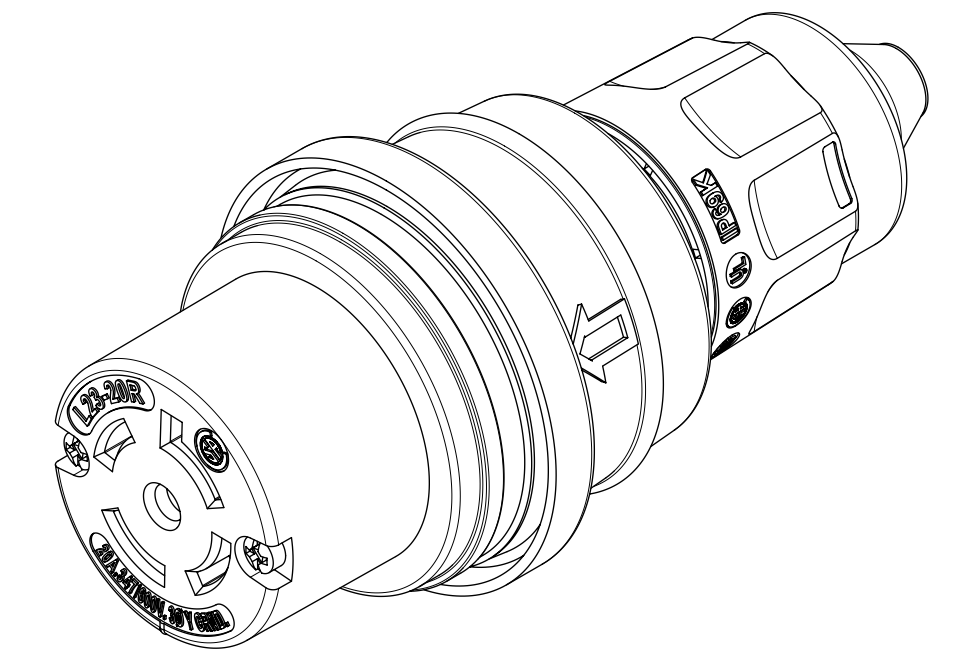
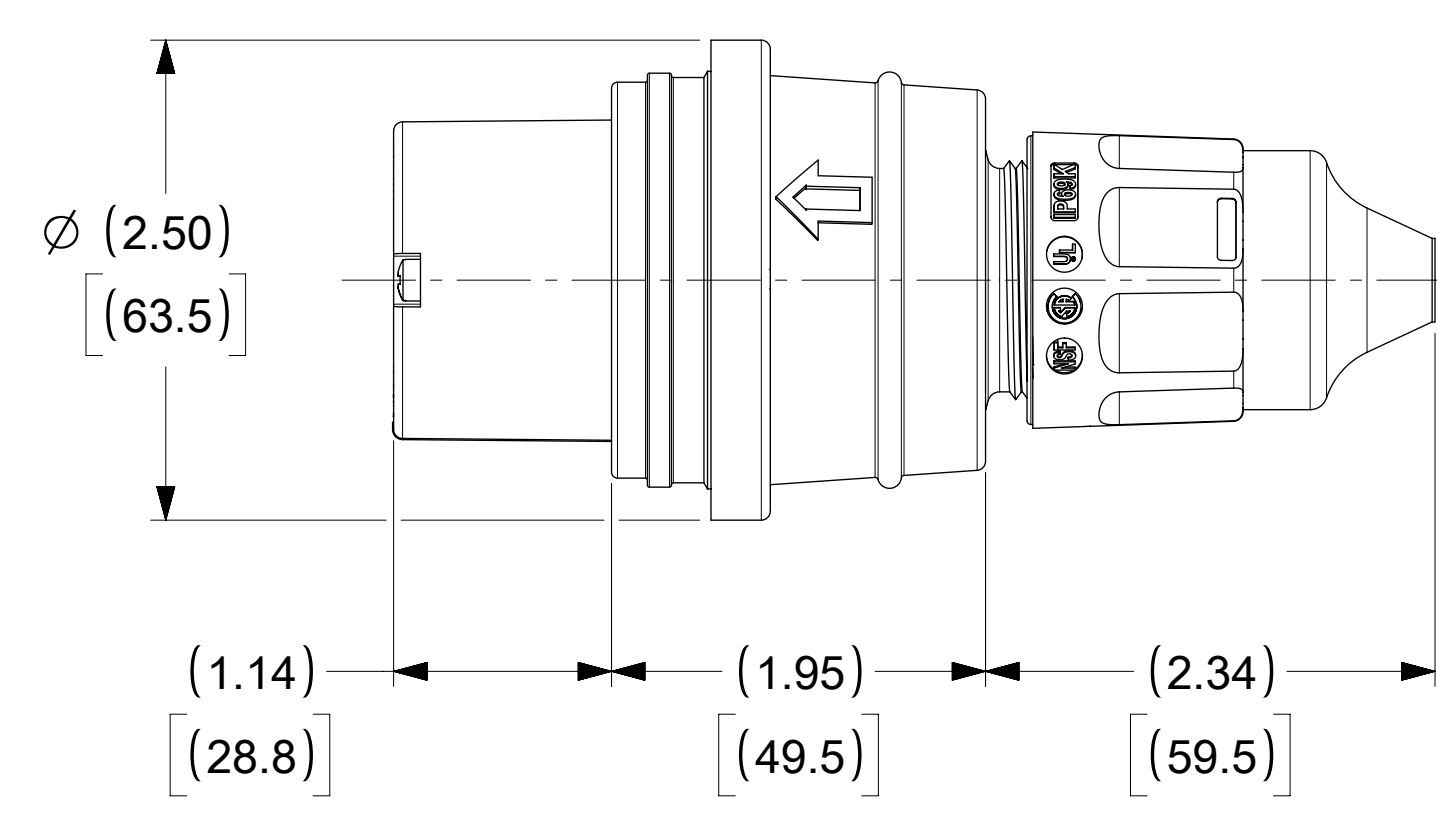


ORDER NO.	WOODHEAD NO.	COLOR
130147-0068	27W83MB	YELLOW



FACE VIEW



ITEM NO.	DESCRIPTIONS	MATERIAL	QTY.
1	BLADE	BRASS, NICKEL PLATED	5
2	RETAINING SCREWS	STAINLESS STEEL	2
3	CLAMP AND TERMINAL SCREW ASSY	BRASS, ZINC PLATED	4
4	INSERT	NYLON	1
5	SET SCREW	STAINLESS STEEL	1
6	TERMINAL COVER	POLYCARBONATE	1
7	HOUSING	SILICONE WITH NYLON THREAD	1
8	GROMMET	RUBBER	3
9	FRICTION RING	NYLON	1
10	COMPRESSION NUT	NYLON	1
11	CABLE GLOVE	SILICONE	1

NOTE:
1. ACCEPT CABLE RANGE FROM .437" TO .750"

SYMBOLS		THIS DRAWING CONTAINS INFORMATION THAT IS PROPRIETARY TO MOLEX ELECTRONIC TECHNOLOGIES, LLC AND SHOULD NOT BE USED WITHOUT WRITTEN PERMISSION		CURRENT REV DESC:	
▽ = 0	INCH[MM]	SCALE	NTS	EC NO: 616548	
▽ = 0	GENERAL TOLERANCES (UNLESS SPECIFIED)		DRWN: DSOPPIN		2019/01/22
▽ = 0		MM	INCH	CHK'D: DNGUYEN62	2019/06/03
▽ = 0	4 PLACES	±	±	APPR: HKNEELAND	2019/10/16
▽ = 0	3 PLACES	±	±	INITIAL REVISION:	
▽ = 0	2 PLACES	±	±	DRWN: DSOPPIN	2019/01/22
▽ = 0	1 PLACE	±	±	APPR: HKNEELAND	2019/10/16
▽ = 0	0 PLACES	±	±	THIRD ANGLE PROJECTION	
▽ = 0	ANGULAR TOL	±	°	DRAWING	SERIES
▽ = 0	DRAFT WHERE APPLICABLE MUST REMAIN WITHIN DIMENSIONS		C-SIZE		130147



WATERTITE CONNECTOR MOTOR BASE
4P5W L23-20

PRODUCT CUSTOMER DRAWING

DOCUMENT NUMBER	DOC TYPE	DOC PART	REVISION
1301470068	PSD	000	A
MATERIAL NUMBER	CUSTOMER	SHEET NUMBER	
SEE TABLE	GENERAL MARKET	1 OF 1	