

ABSOLUTE MAXIMUM RATINGS 2

SUPPLY VOLTAGE	+30V CONTINUOUS
VOLTAGE EXTERNALLY APPLIED TO OUTPUT	-0.5 TO +30V (OUTPUT HIGH)
OUTPUT CURRENT	40 mA SINKING

RECOMMENDED OPERATING CONDITIONS 9

PARAMETER	CONDITIONS	MIN	TYP	MAX	UNITS
OPERATING TEMPERATURE		-40		+150	°C
SUPPLY VOLTAGE		4.5		24	VDC
SUPPLY CURRENT I _{cc}			10	20	mA
V _{sat}	LOW OUTPUT			.4	VDC
OUTPUT CURRENT	LOW OUTPUT			20	mA
OUTPUT LEAKAGE CURRENT	HIGH OUTPUT			10	µA
RISE TIME	10% TO 90%			15	µS
FALL TIME	90% TO 10%			1.0	µS

OPERATING SPECIFICATIONS 3 8

	LIMIT	CONDITIONS	UNITS
4 OPERATE	3.3° ± 1.25°	AIR GAP 0,13-2,03	mm
5 RELEASE	4.4° ± 2.5°	VSUPPLY 4.5 - 24 TEMP -40 TO 150 RPM 10 TO 5000	VOLTS DEG. C

M 1GT105DC

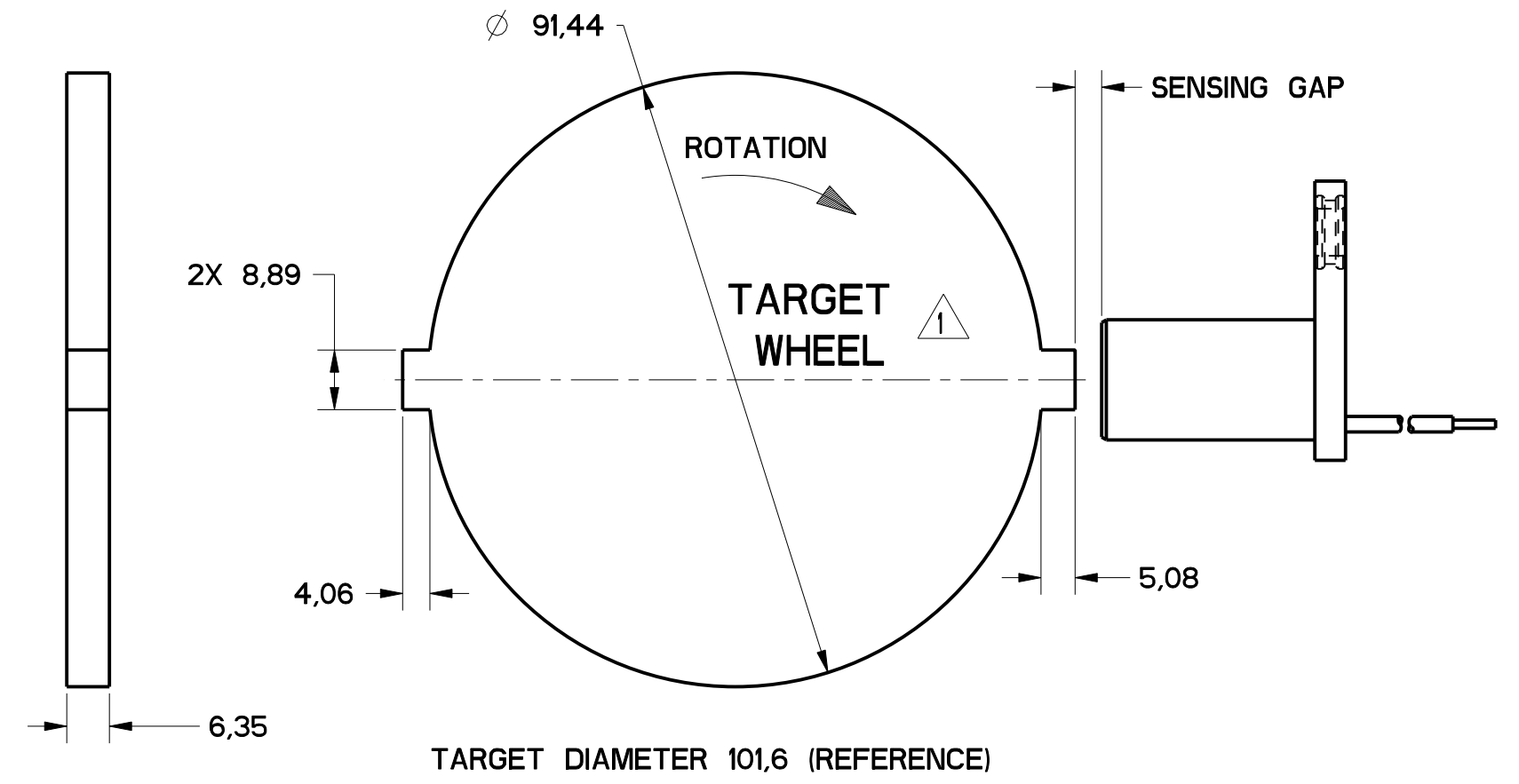
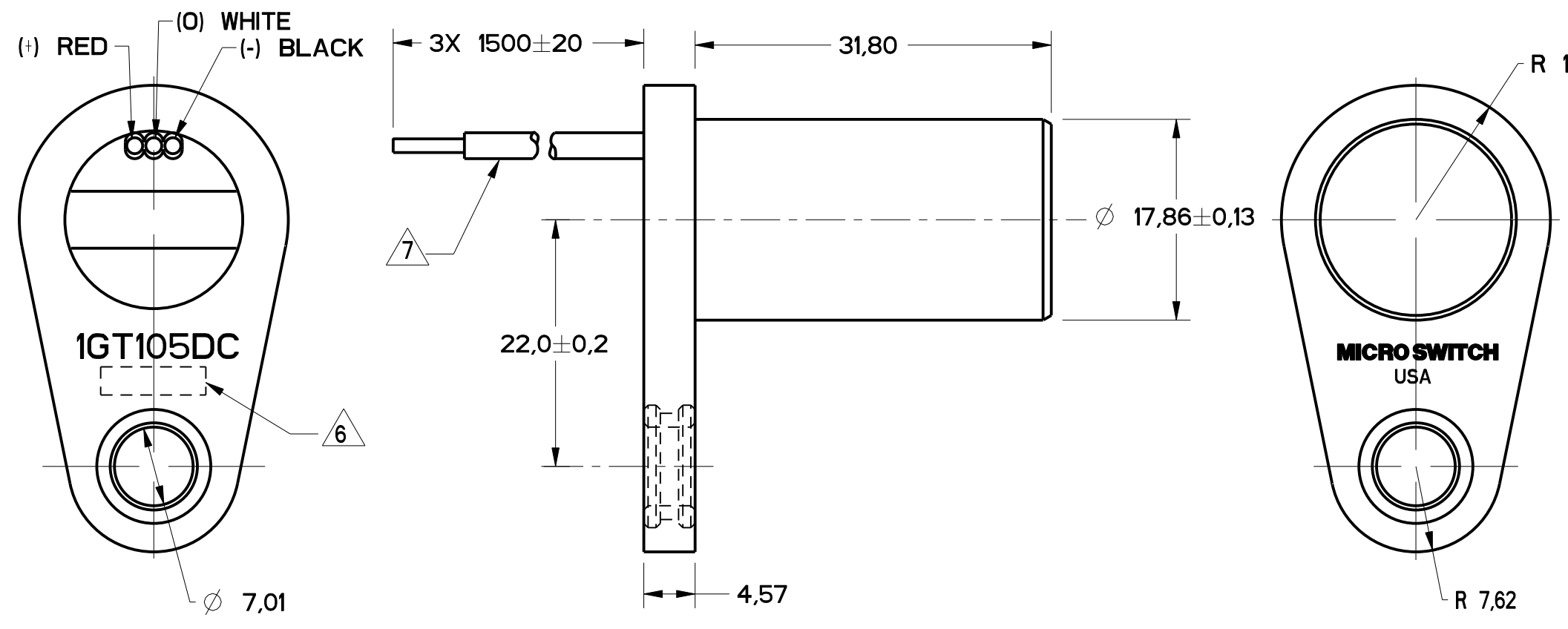
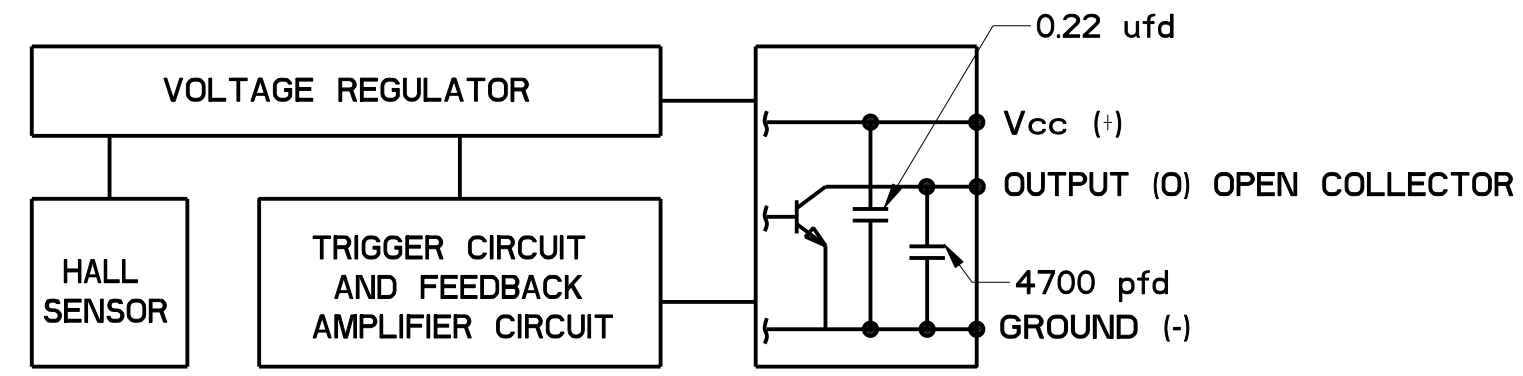


FIGURE 1



- NOTES
- 1 TARGET SHOULD BE MADE OF GOOD MAGNETIC MATERIAL (C-1018), ANNEAL AFTER MACHINING OR FORMING
 - 2 MAXIMUM LIMITS THAT SWITCH WILL WITHSTAND WITHOUT DAMAGE
 - 3 OPERATING SPECIFICATION IS BASED ON TARGET SHOWN IN FIGURE 1 AND WILL VARY WITH TARGET GEOMETRY
 - 4 OPERATE (DEGREES) IS THE ANGULAR DISTANCE FROM THE LEADING EDGE OF THE TOOTH TO THE CENTERLINE OF THE SENSOR
 - 5 RELEASE (DEGREES) IS THE ANGULAR DISTANCE FROM THE TRAILING EDGE OF THE TOOTH TO THE CENTERLINE OF THE SENSOR
 - 6 DATE CODE YYWW THIS AREA
 - 7 22 GAUGE WIRE, CROSSLINKED POLYETHYLENE INSULATION
 - 8 ELECTRICAL CHARACTERISTICS GUARANTEED WITH MAX EXTERNAL LOAD CAPACITANCE ≤ 550 pfd
 - 9 OPERATING TEMPERATURE APPLIES TO SENSOR ONLY, WIRE IS RATED TO 135°C
 - 10 RoHS COMPLIANT



BLOCK DIAGRAM SHOWING CURRENT SINKING OUTPUT

CAUTION
ELECTROSTATIC SENSITIVE DEVICES
DO NOT OPEN OR HANDLE EXCEPT AT A STATIC FREE WORKSTATION

ESD SENSITIVITY:
CLASS 3

THIRD ANGLE PROJECTION
SCALE 2:1
DO NOT SCALE PRINT
UNLESS OTHERWISE SPECIFIED TOLERANCES ARE
NO PLACE (0) ± 1 MM
ONE PLACE (0,0) ± 0,4 MM
TWO PLACE (0,00) ± 0,15 MM
ANGLES ±
WEIGHT

THIS DRAWING COVERS A PROPRIETARY ITEM AND IS THE PROPERTY OF MICRO SWITCH, A DIVISION OF HONEYWELL. THIS DRAWING IS NOT TO BE COPIED OR USED WITHOUT THE APPROVAL OF MICRO SWITCH.

MICRO SWITCH
a Honeywell Division

GEARTOOTH SENSOR

CATALOG LISTING
1GT105DC

ANSI Y14.5M-1982 APPLIES

FED. MFG. CODE 91929

1GT105DC
 DRAWING NUMBER
 PAGE 1 OF 1
 RELEASE NO. PR-23897
 REPLACES
 ISSUE 3
 REVISIONS
 A 204349
 REV 9 NOV 01
 B 21332
 REV 11 MAY 06
 PTC/CAD 2D
 J A F
 03SEP99
 SAV
 CHECK
 03SEP99