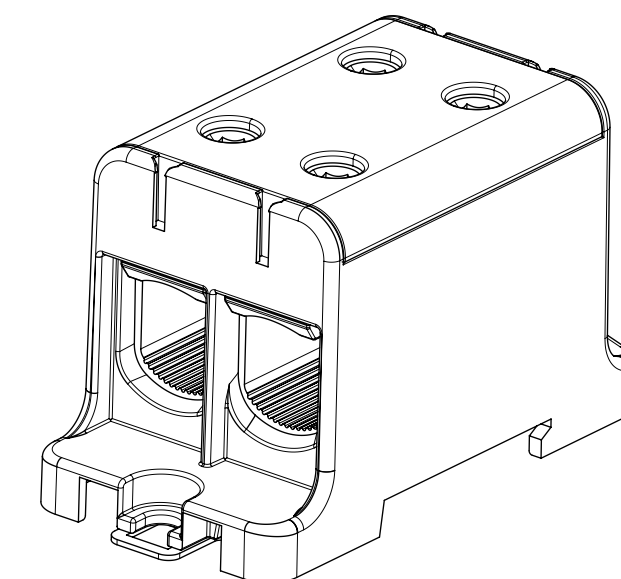
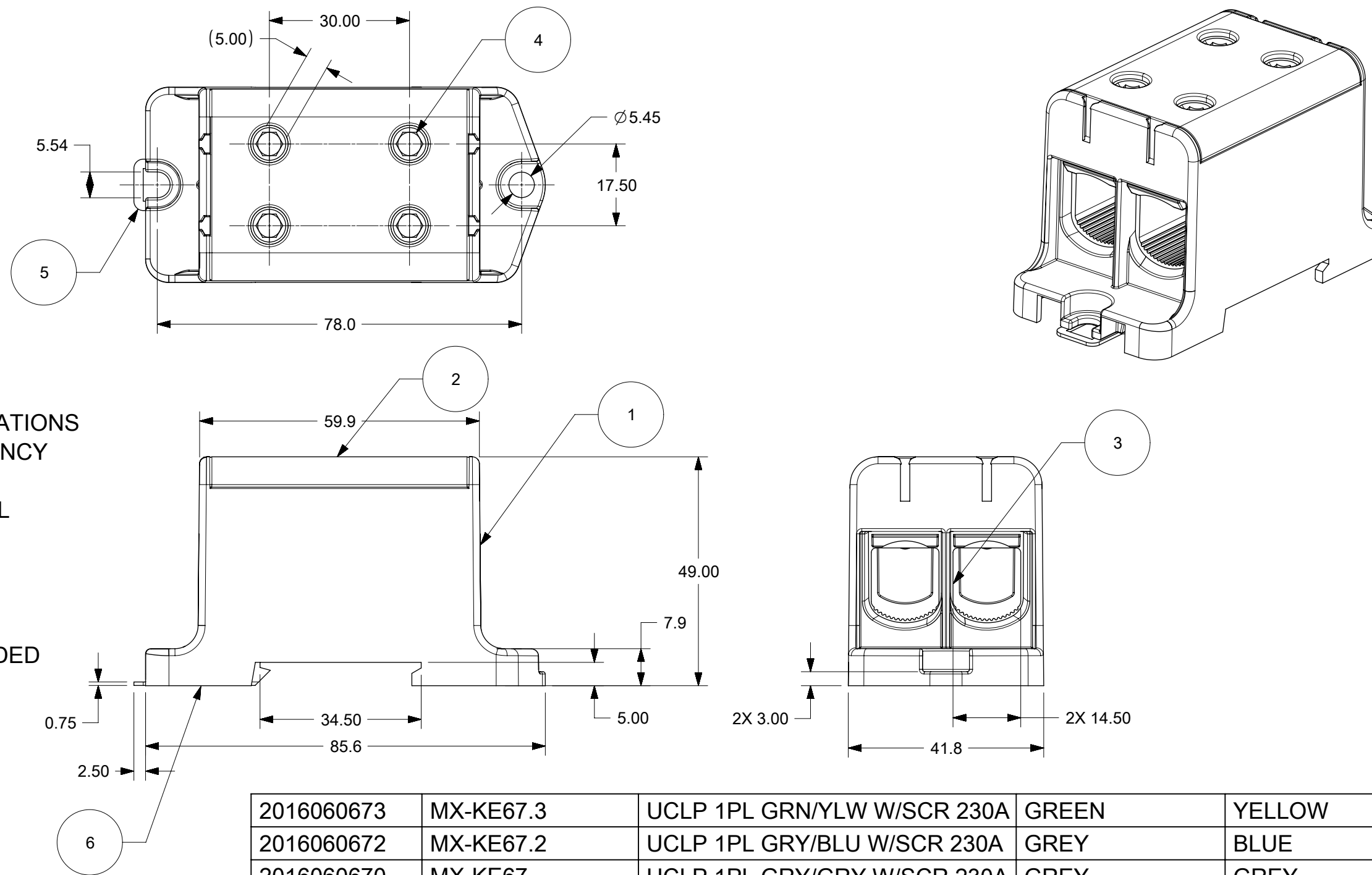


NOTES:

1. MOUNTING TYPE: 35mm DIN RAIL OR SCREW.
2. VOLTAGE: 600 V (UL).
3. CURRENT: Cu 230 A, Al 180 A (UL).
4. WIRE CROSS-SECTION RANGE, UL:
Cu/Al 4-4/0 AWG (21-107mm²) STRANDED,
Cu 3 X 6 AWG (3 X 13.3mm²) STRANDED,
Cu 2 X 2-6 AWG (2 X 13.3-33.6mm²) STRANDED.
5. HEAD CAP SCREW WITH 5 mm HEXAGON SOCKET SIZE.
USE A TOOL WITH LENGTH ALLOWING FOR A FULL SCREW ENGAGEMENT.
6. RECOMMENDED TIGHTENING TORQUE:
126 Lb-In (14 Nm).
7. ALL ELECTRICAL AND MECHANICAL SPECIFICATIONS ARE PER UL1059 AS NOTED IN MOLEX UL AGENCY APPROVAL.
8. THE SUITABILITY OF THESE TERMINALS SHALL BE DETERMINED IN THE END-USE INVESTIGATION.
9. AS ENVIRONMENTAL BARRIER DIELECTRIC GREASE MAY BE PRESENT IN THE WIRING CHAMBER. ENSURE TO USE THE RECOMMENDED TIGHTING TORQUE FOR ALL CONDUCTORS.



2016060673	MX-KE67.3	UCLP 1PL GRN/YLW W/SCR 230A	GREEN	YELLOW
2016060672	MX-KE67.2	UCLP 1PL GRY/BLU W/SCR 230A	GREY	BLUE
2016060670	MX-KE67	UCLP 1PL GRY/GRY W/SCR 230A	GREY	GREY
MATERIAL No.	ENGINEERING No.	DESCRIPTION	HOUSING COLOR	COVER COLOR

ITEM	QTY	DESCRIPTION	MATERIAL
6	1	SPRING, LATCH	STEEL
5	1	LATCH, DIN	STEEL
4	4	SCREW, SET	ALUMINUM
3	1	CAGE, 1P	ALUMINUM
2	1	COVER	POLYAMIDE
1	1	HOUSING	POLYAMIDE

THIS DRAWING CONTAINS INFORMATION THAT IS PROPRIETARY TO MOLEX ELECTRONIC TECHNOLOGIES, LLC AND SHOULD NOT BE USED WITHOUT WRITTEN PERMISSION

EC NO: 120665 DRWN: WLEUNG CHKD: DNGUYEN62 APPR: JFMURPHY	2017/08/14 2017/08/15 2017/08/18	GENERAL TOLERANCES (UNLESS SPECIFIED) DIMENSION UNITS: mm SCALE: 1:1				
	4 PLACES ± 3 PLACES ± 2 PLACES ± 1 PLACE ± 0 PLACES ±	ANGULAR TOL ± ° DRWN BY: WLEUNG DATE: 2017/08/14				MX-KE67
	DRAFT WHERE APPLICABLE MUST REMAIN WITHIN DIMENSIONS	DRAWING SIZE: B THIRD ANGLE PROJECTION	APPR BY: JFMURPHY DATE: 2017/08/18	PRODUCT CUSTOMER DRAWING		
	RELEASE STATUS: P1 RELEASE DATE: 18.08.2017 19:46:48	SERIES: 201606 MATERIAL NUMBER: SEE CHART CUSTOMER:	DOCUMENT NUMBER: 2016060670 DOC TYPE: PSD DOC PART: 000 SHEET NUMBER: 1 OF 1			