

Low phase noise Fundamental Quartz Crystal Oscillator IC

■FEATURES($V_{DD}=3.3V$, $f=49.152MHz$, $T_a=25^{\circ}C$)

- Oscillation Frequency 20MHz to 50MHz(Fundamental)
- Phase noise -103dBc/Hz(Typ.) @10Hz Offset
-163dBc/Hz(Typ.) @1kHz Offset
- RMS Jitter 0.05psec(Typ.) @12kHz to 20MHz
- Operating Voltage 1.62V to 3.63V
- Operating Current 3.1mA(Typ.) @49.152MHz, $C_L=15pF$
- Built In Divider $f_0, f_0/2$ (Factory set)
- Stand-by Function (CONT Terminal: L)
Oscillation Stop and High Impedance F_{OUT} terminal.
- 3-State Output Buffer
- Built-in Variable Pull-up Resistance (CONT: Pull-up Resistance large at the Stand-by mode.)
- Oscillation Capacitors C_g and C_d
- Operation Temperature $-40^{\circ}C$ to $125^{\circ}C$
- Package Outline Die / 8-inch wafer

■GENERAL DESCRIPTION

The NJU6222 series is a C-MOS quartz crystal oscillator IC (20MHz to 50MHz) realized very low phase noise. It is consisted of an oscillation amplifier, divider ($f_0, f_0/2$), and 3-state output buffer.

There are 2-type of pad location for Flip chip and Wire bonding that apply SMD's 2016-package and more miniature. The NJU6222 in low voltage operation features low phase noise, it is suitable for high quality Hi-Fi sound device, Communication device, and others by battery drive.

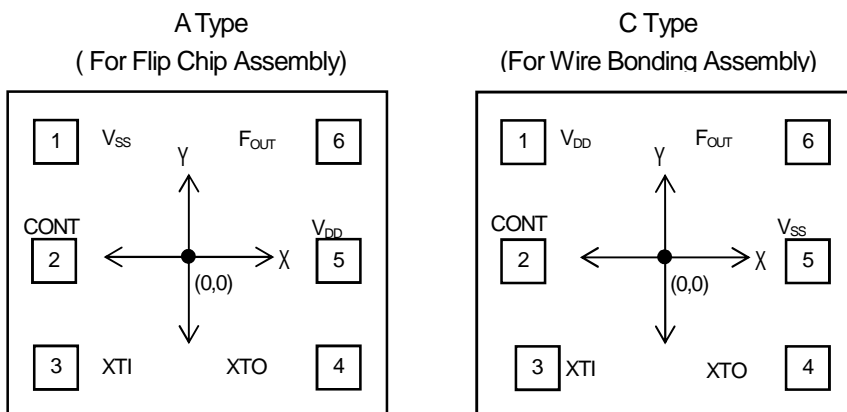
■APPLICATION

- Low Noise Crystal Oscillator

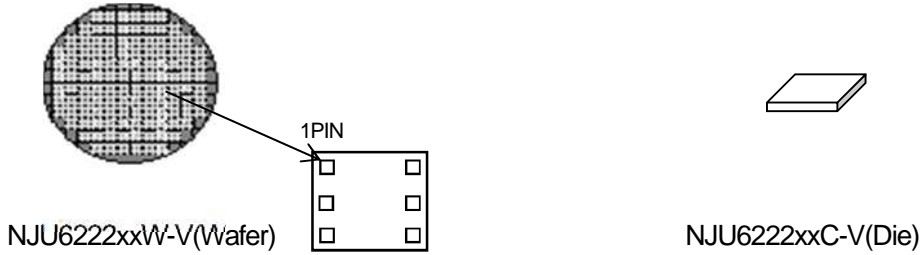
■LINE-UP TABLE

Type No	F_{OUT}	Version	
		Type A	Type C
NJU6222	f_0	A1	C1
	$f_0/2$	A2	C2

■PAD LOCATION



■PACKAGE OUTLINE

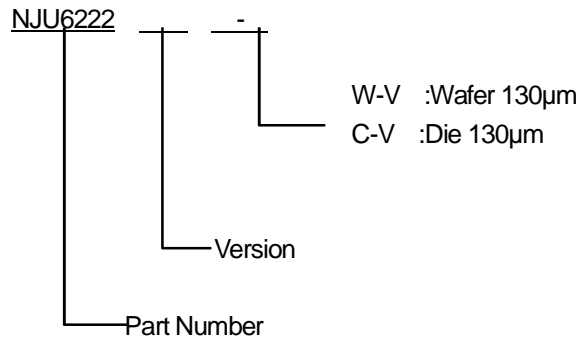


■CORDINATES

Pad No.	X	Y
1	-174	190
2	-186	0
3	-174	-190
4	174	-190
5	186	0
6	174	190

Starting Point: Die Center Unit[μm]
 Die Size: 0.580x0.588mm
 Die Thickness (C-V): $130 \pm 15\mu\text{m}$
 Wafer Thickness (W-V): $130 \pm 20\mu\text{m}$
 Pad size: 80x80 μm
 Die Substrate: V_{SS} level

■PRODUCT NUMBER



■ORDER INFORMATION

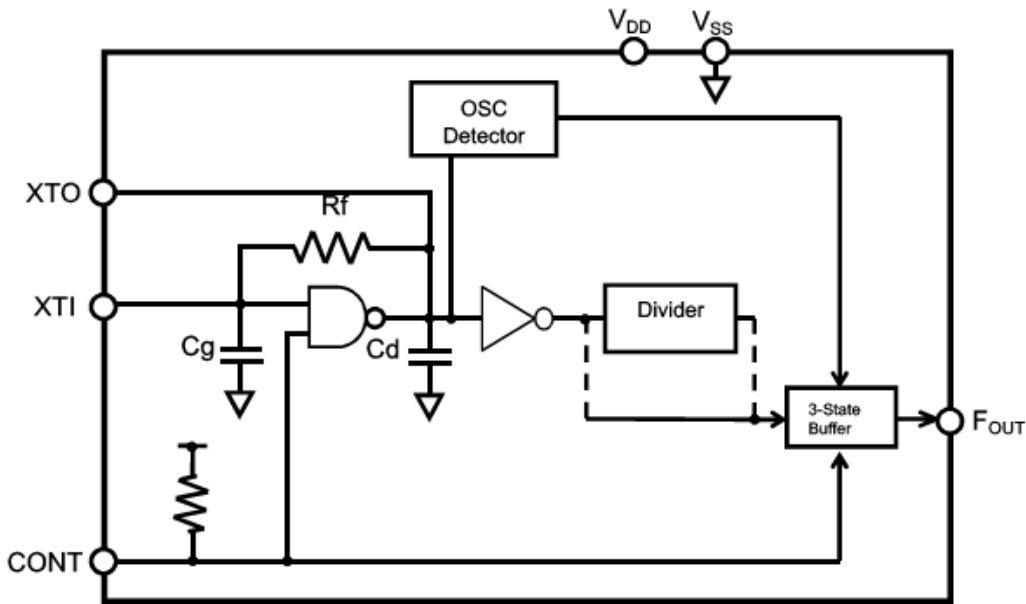
TYPE No.	OUT LINE	MOQ
NJU6222 A x W -V	Wafer	1Wafer (Around 75000pcs)
NJU6222 C x W -V		
NJU6222 A x C - V	Die	75000pcs (5000pcs x 15pack)
NJU6222 C x C - V		5000pcs/pack

■TERMINAL DISCREPTION

SYMBOL	FUNCTION
CONT	Oscillation and 3-state Output Buffer Control
	CONT F_{OUT}
	H or OPEN Output one frequency selected out of f_0 and $f_0/2$ (Note1)
	L Oscillation Stop and High impedance Output
XTI	Quartz Crystal Connection terminals
XTO	
V_{SS}	GND terminal ($V_{SS}=0V$)
F_{OUT}	Frequency Output terminal (3-State Output Buffer)
V_{DD}	Power Supply terminal $V_{DD}=1.62$ to $3.63V$

Note 1) Refer to the line-up table.

■BLOCK DIAGRAM



■ABSOLUTE MAXIMUM RATINGS

PARAMETER	SYMBOL	RATINGS	UNIT
Supply Voltage	V_{DD}	-0.6 to 6.0	V
Input Voltage	V_{IN}	-0.6 to $+V_{DD}+0.6$ and 6.0V	V
Output Voltage	V_O	-0.6 to $V_{DD}+0.6$	V
Input Current	I_{IN}	± 10	mA
Output Terminal Current	I_O	± 25	mA
Storage Temperature Range	T_{stg}	- 55 to 150	$^{\circ}C$
Maximum Junction Temperature	T_{jmax}	150	$^{\circ}C$

Note2) If the LSI used condition above the absolute maximum ratings, the LSI may be destroyed. Use beyond the electric characteristics conditions will cause mal-function and poor reliability.

■RECOMMEND OPERATING CONDITIONS

PARAMETER	SYMBOL	CONDITIONS	VALUE	UNIT
Supply Voltage	V_{DD}	$T_a=25^{\circ}C$	1.62 to 3.63	V
Operating Temperature Range	T_{opr}		-40 to 125	$^{\circ}C$
Input Voltage	V_{IN}	CONT	0 to 3.63	V
Output Voltage	V_{OUT}	F_{OUT}	0 to V_{DD}	V
Output Frequency	df/f	$V_{DD}\pm 10\%$	± 1	ppm

■ELECTRICAL CHARACTERISTICS

($V_{DD}=1.62$ to $3.63V$, $V_{SS}=0V$, $T_a=25^{\circ}C$)

PARAMETER	SYMBOL	TEST CONDITION	MIN	TYP	MAX	UNIT	
Operating Current	I_{DD}	x1 version (f_0) No load TEST CIRCUIT (1) ⁽³⁾ $f_0=49.152MHz$ $F_{out}=49.152MHz$	$V_{DD}=1.8V$	-	1.8	2.9	mA
			$V_{DD}=2.5V$	-	3.3	4.8	
			$V_{DD}=3.3V$	-	5.5	7.7	
		x2 version ($f_0/2$) No load TEST CIRCUIT (1) ⁽³⁾ $f_0=49.152MHz$ $F_{out}=24.576MHz$	$V_{DD}=1.8V$	-	1.4	2.4	
			$V_{DD}=2.5V$	-	2.7	4.1	
			$V_{DD}=3.3V$	-	4.8	6.6	
		x1 version (f_0) $C_L=15pF$ TEST CIRCUIT (1) ⁽³⁾ $f_0=49.152MHz$ $F_{out}=49.152MHz$	$V_{DD}=1.8V$	-	3.1	4.1	
			$V_{DD}=2.5V$	-	5.1	6.6	
			$V_{DD}=3.3V$	-	7.9	9.9	
		x2 version $C_L=15pF$ TEST CIRCUIT (1) ⁽³⁾ $f_0=49.152MHz$ $F_{out}=24.576MHz$	$V_{DD}=1.8V$	-	2.0	3.0	
			$V_{DD}=2.5V$	-	3.6	4.9	
			$V_{DD}=3.3V$	-	5.9	7.7	
Stand-by Current	I_{STB}	TEST CIRCUIT(1) ⁽³⁾ CONT= V_{SS}	$V_{DD}=1.8V$	-	3.0	25.0	μA
			$V_{DD}=2.5V$	-	5.0	30.0	
			$V_{DD}=3.3V$	-	9.0	35.0	
H Level Output Voltage	V_{OH}	TEST CIRCUIT(2) ⁽³⁾	$V_{DD}-0.4$	-	-	V	
L Level Output Voltage	V_{OL}	TEST CIRCUIT(2) ⁽³⁾	-	-	0.4	V	
H Level Input Voltage	V_{IH}	TEST CIRCUIT(3) ⁽³⁾	$0.7V_{DD}$	-	-	V	
L Level Input Voltage	V_{IL}	TEST CIRCUIT(3) ⁽³⁾	-	-	$0.3V_{DD}$	V	
Input Current	I_{IN}	TEST CIRCUIT(4) ⁽³⁾ , $V_{DD}=1.62V$, CONT= V_{DD}	-	-	0.065	μA	
		TEST CIRCUIT(4) ⁽³⁾ , $V_{DD}=1.62V$, CONT= V_{SS}	-	-	-0.5		
		TEST CIRCUIT(4) ⁽³⁾ , $V_{DD}=3.63V$, CONT= V_{DD}	-	-	0.150		
		TEST CIRCUIT(4) ⁽³⁾ , $V_{DD}=3.63V$, CONT= V_{SS}	-10	-	-		
3-state off leakage current	I_{OZ}	TEST CIRCUIT(5) ⁽³⁾ , $F_{OUT}=V_{DD}$ or V_{SS}	-	-	± 0.1	μA	

($V_{DD}=1.62$ to $3.63V$, $V_{SS}=0V$, $T_a=25^{\circ}C$)

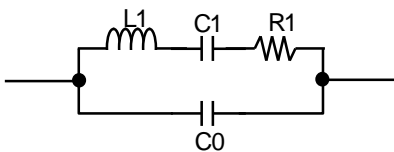
PARAMETER	SYMBOL	TEST CONDITION	MIN	TYP	MAX	UNIT	
Feedback Resistance	Rf		-	50	-	k	
Built-In Oscillator Capacitance	Cg	$f_{OSC}=50MHz$	-	8	-	pF	
	Cd	$f_{OSC}=50MHz$	-	17	-	pF	
Oscillation Frequency	F _{OSC}	Recommendation ⁽⁵⁾	-	-	50	MHz	
Output Signal Symmetry	SYM	$C_L=15pF$, @ $V_{DD}/2$	45	50	55	%	
Phase Noise	SSB	x1 version (f_0) $f_{OSC}=49.152MHz$ $V_{DD}=1.8V$	10Hz Offset	-	-103	-	dBc /Hz
			1kHz Offset	-	-158	-	
			Floor	-	-166	-	
		x1 version (f_0) $f_{OSC}=49.152MHz$ $V_{DD}=3.3V$	10Hz Offset	-	-103	-	
			1kHz Offset	-	-163	-	
			Floor	-	-172	-	
Output Signal rise Time	tr	TEST CIRCUIT(1) ⁽³⁾ $0.1V_{DD}$ to $0.9V_{DD}$	$V_{DD}=1.8V$	-	3.1	4.7	ns
			$V_{DD}=2.5V$	-	1.8	2.7	ns
			$V_{DD}=3.3V$	-	1.3	2.0	ns
Output Signal fall Time	tf	TEST CIRCUIT(1) ⁽³⁾ $0.9V_{DD}$ to $0.1V_{DD}$	$V_{DD}=1.8V$	-	2.8	4.2	ns
			$V_{DD}=2.5V$	-	1.8	2.7	ns
			$V_{DD}=3.3V$	-	1.4	2.1	ns
Output Disable Time	t _{POZ}	TEST CIRCUIT (6) ⁽³⁾	-	-	200	ns	
Output Enable Time	t _{PZO}	TEST CIRCUIT (6) ⁽³⁾	-	-	1.0	ms	
Oscillation Start Up Time	t _{OSC}	TEST CIRCUIT (1) ⁽³⁾	-	-	1.0	ms	

Note 3) Decoupling capacitor over than $0.01\mu F$ ceramic capacitor should be connected between V_{DD} and V_{SS} due to the stabilized operation for the circuit.

Note 4) The Phase noise characteristics is applied to NJU6222A1/C1 (f_0).

Note 5) NJR's standard crystal is used for measurement of the oscillation frequency range and it does not guarantee oscillation. (Refer to EXAMPLE OF CRYSTAL PARAMETERS FOR MEASUREMENT CIRCUITS)

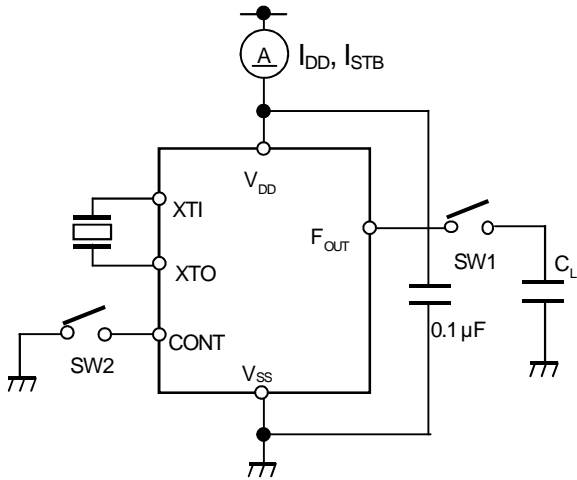
EXAMPLE OF CRYSTAL PARAMETERS FOR MEASUREMENT CIRCUITS



f[MHz]	R1[Ω]	L1[mH]	C1[fF]	C0[pF]
49.152	17.7	3.83	2.74	1.23

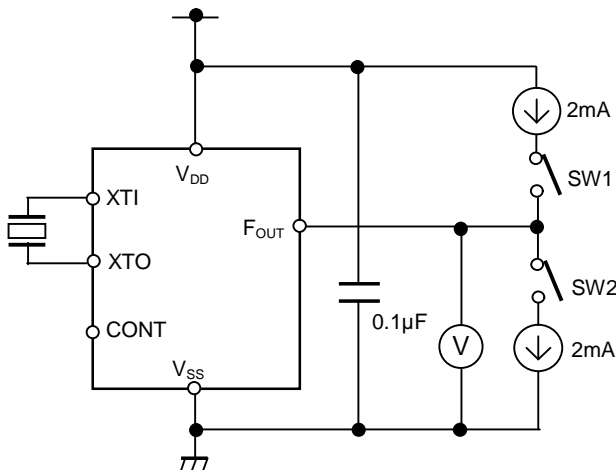
■ TYPICAL TEST CIRCUIT

(1) Operating Current, Stand-by Current, Output Signal Symmetry, Output Signal rise / Fall Time, Oscillation Start-Up Time



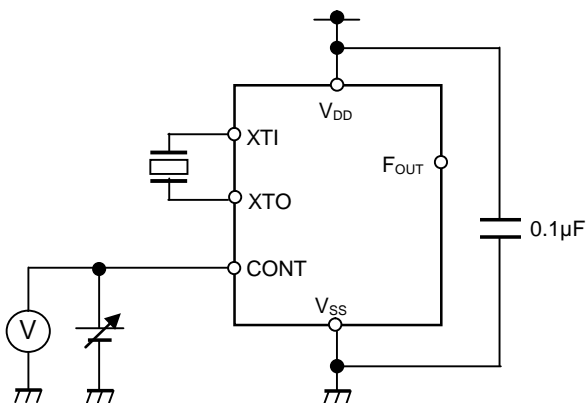
PARAMETER	SW1	SW2
I_{DD} ($C_L=0pF$)	OFF	OFF
I_{DD} ($C_L=15pF$)	ON	OFF
I_{STB}	ON or OFF	ON
SYM, tr, tf	ON	OFF
t_{osc}	ON	OFF

(2) High-level / Low-level Output Voltage (V_{OH} / V_{OL})



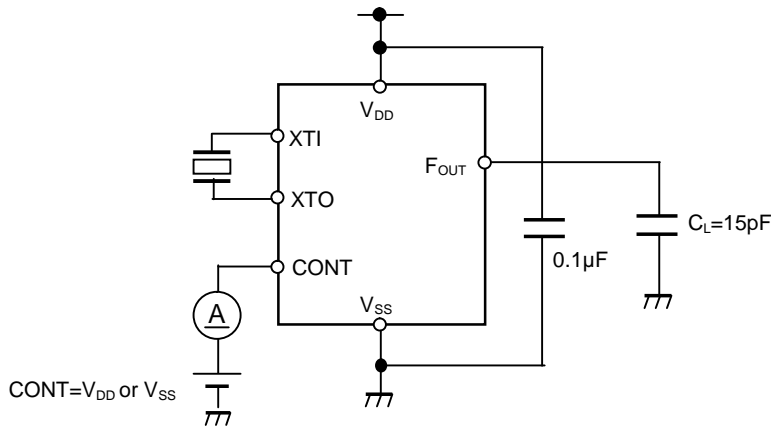
PARAMETER	SW1	SW2
V_{OH}	ON	OFF
V_{OL}	OFF	ON

(3) High-level / Low-level Input Voltage (V_{IH} / V_{IL})

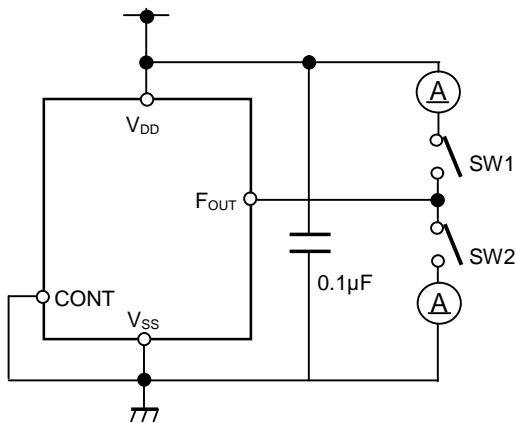


PARAMETER	F_{out}
$CONT > 0.7V_{DD}$	Oscillation
$CONT < 0.3V_{DD}$	Stop

(4) Input Current (I_{IN})

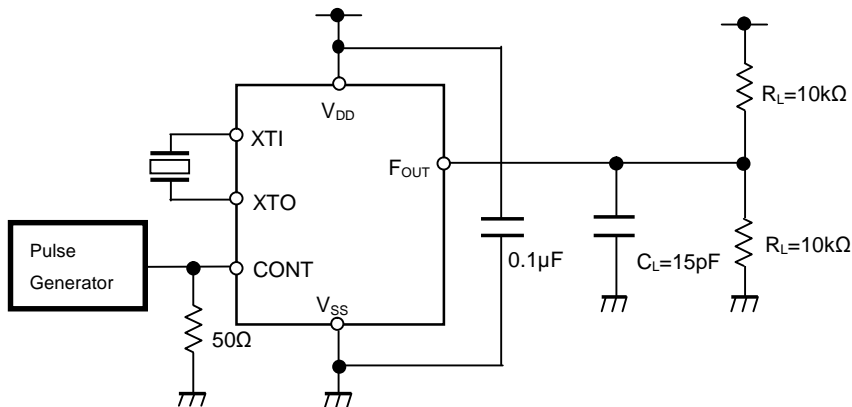


(5) 3-State Off Leakage Current (I_{OZ})



PARAMETER	SW1	SW2
I_{OZH}	ON	OFF
I_{OZL}	OFF	ON

(6) Output Disable Time, Output Enable Time (T_{POZ}/T_{PZO})



■TIMING CHART

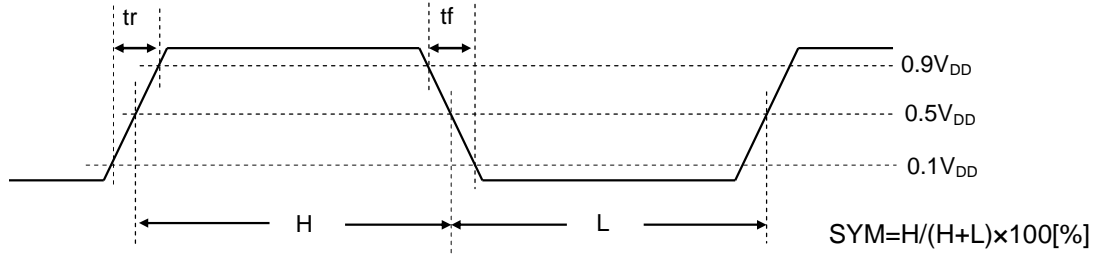


Fig.1 Output Signal Rise Time: t_r , Output Signal Fall Time: t_f , Output Symmetry: SYM

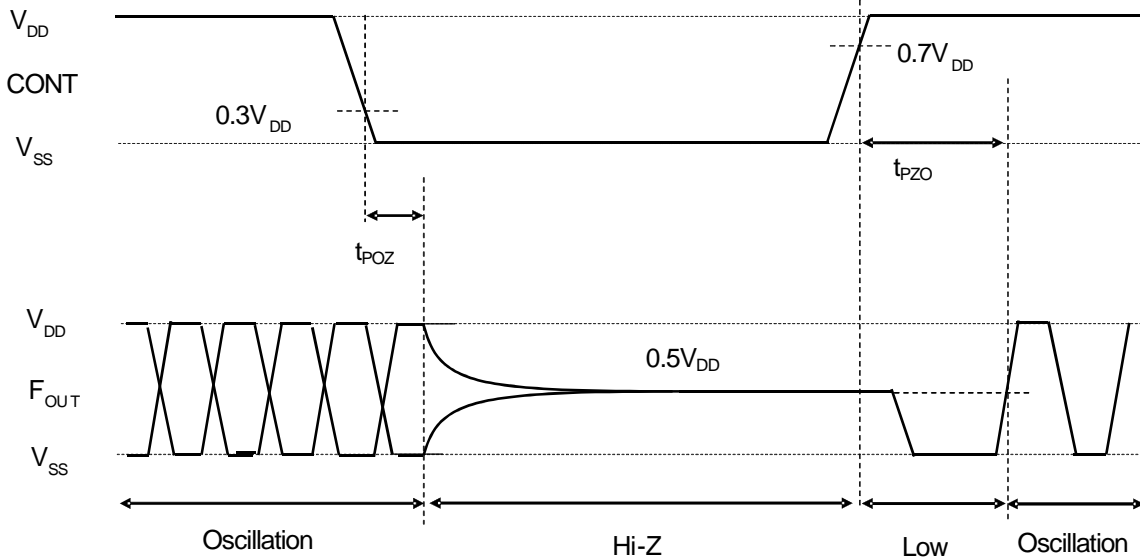


Fig.2 Output Disable time: t_{POZ} , Output Enable time: t_{PZO} , Timing Chart

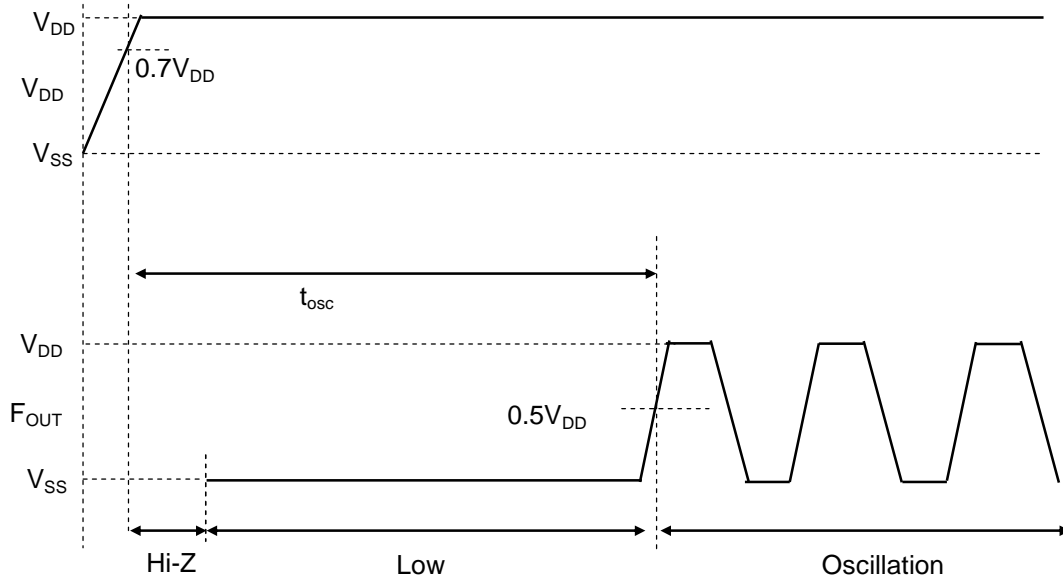
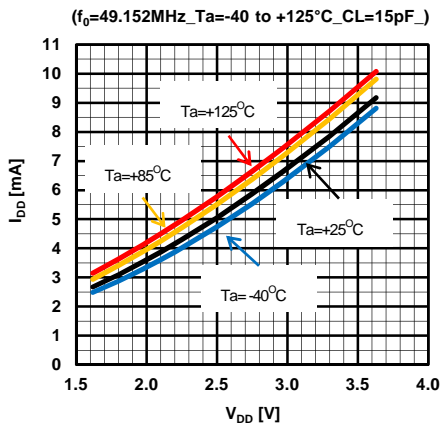


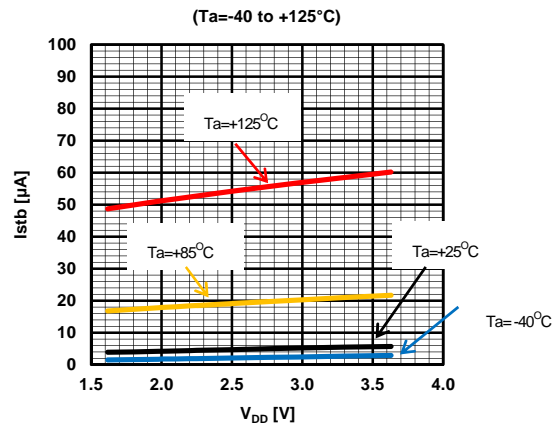
Fig.3 Oscillation Start time: t_{osc}

■ TYPICAL CHARACTERISTICS

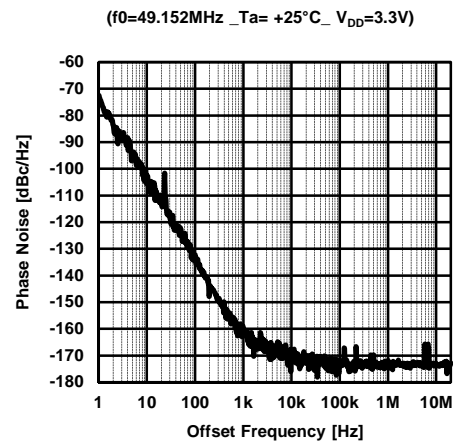
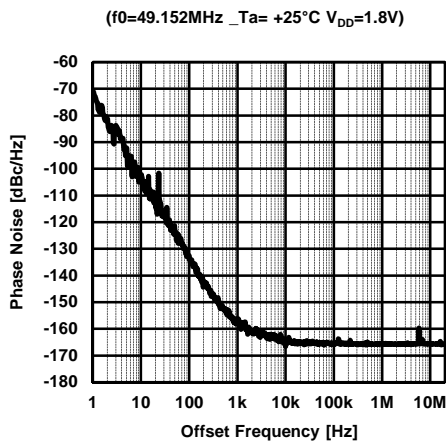
• Operation Current



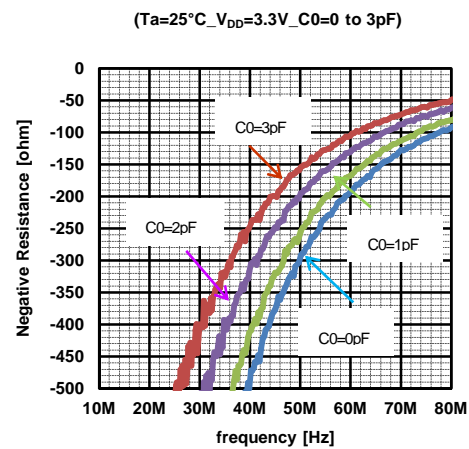
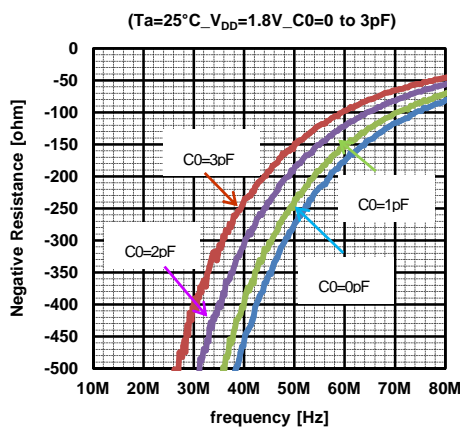
• Stand-by Current



• Phase Noise

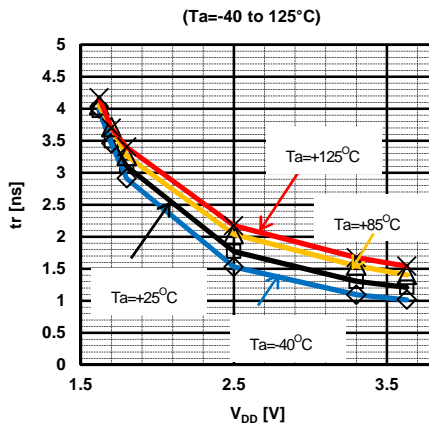


• Negative Resistance

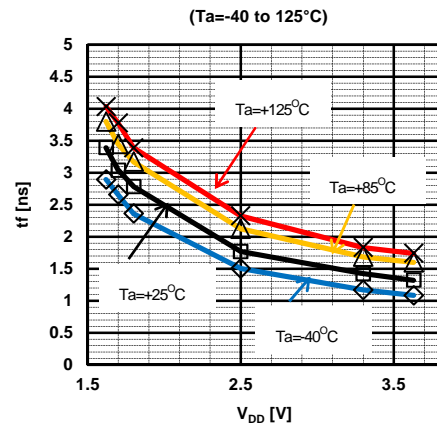


Note; A negative resistance 3 to 5 times the equivalent series resistance is said to be required for sufficient oscillation margin.

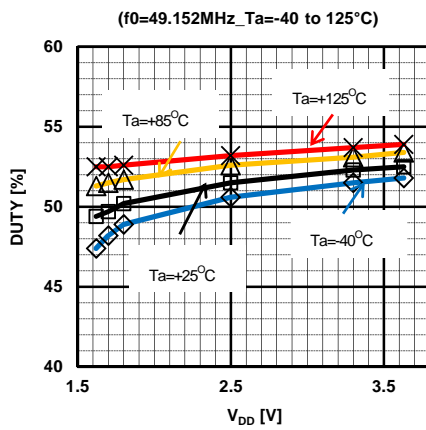
• Output Signal rise Time



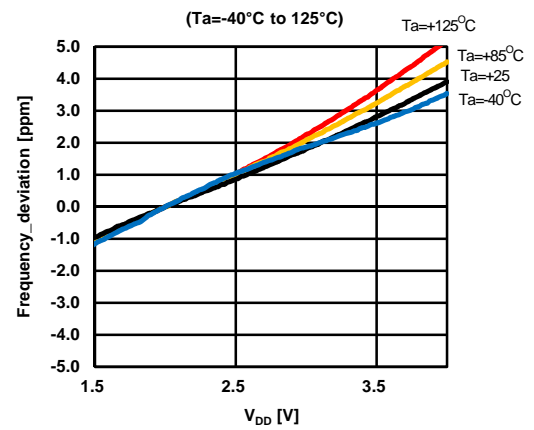
• Output Signal fall Time



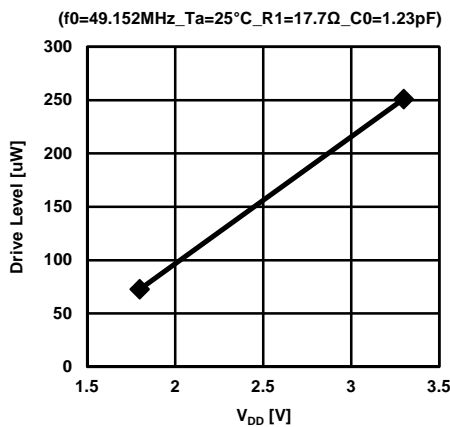
• Output Signal Symmetry



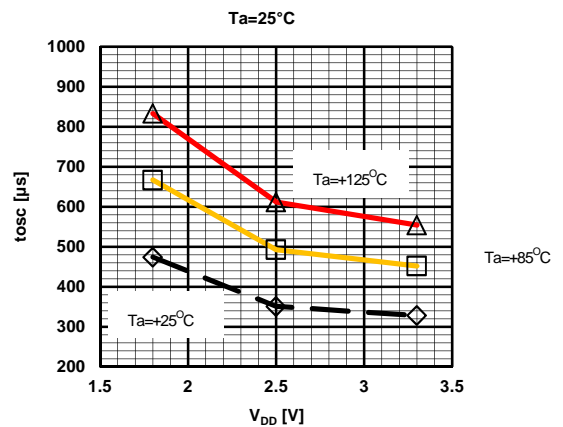
• Output Frequency Stability



• Drive Level



• Oscillation Start-Up Time



Application Note

FUNCTIONAL DESCRIPTION

Standby Function

When CONT Terminal is “Low”, the F_{OUT} Terminal output is High impedance.

CONT	F _{OUT}	Oscillator
High(Open)	Frequency output	Normal operation
Low	High impedance	Stop

When not using Stand-by function, CONT terminal is recommended to connect to V_{DD}.

Built-in Variable Pull-up Resistance of CONT terminal

The built-in pull-up resistance value of CONT Terminal changes in response to the input level. When CONT is “Low” level, the pull-up resistance value is large to reduce the current consumption by the resistance. When CONT is open or connected to V_{DD}, the pull-up resistance value is small to decrease the input susceptibility to external noise. It works to prevent an unexpectedly stopping of the output by external noise.

VIRSION DISCRIMINATION INTERNAL COMPONENTS

PAD layout version of the NJU6222 series is determined by the version name in chip. Divide version of the NJU6222 series is determined by the internal fuse trimming.

Laser-trimmed versions are identified externally by the combination of the version name marking (1) and the locations of trimmed fuses (2). (Table 1 shows the chip version identification)

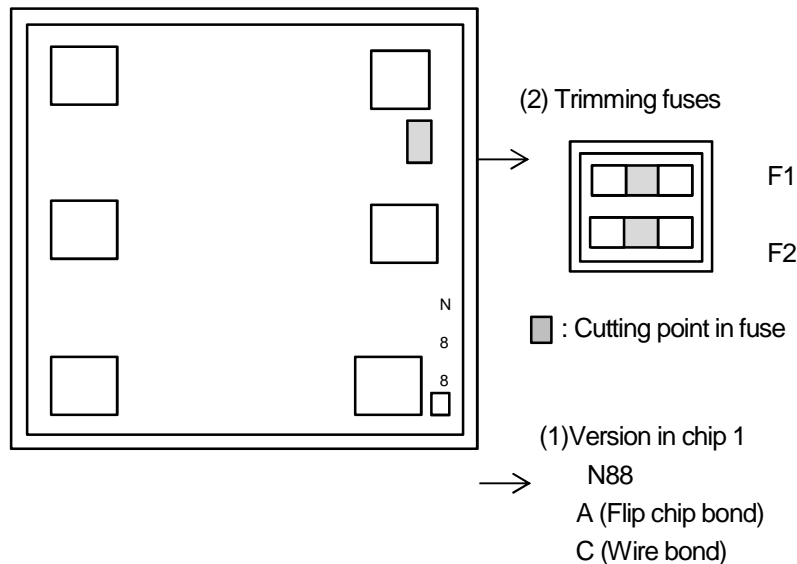


Table 1: Frequency version and Cutting point in fuse.

Version name	Mask / Version set by trimming fuses		
	Mask	Trimming fuses	
		Version	F1
NJU6222A1	A	-	-
NJU6222A2	A	*	-
NJU6222C1	C	-	-
NJU6222C2	C	*	-

Note 1) “-”: Uncut, “*”: Cutting

[CAUTION]

1. NJR strives to produce reliable and high quality semiconductors. NJR's semiconductors are intended for specific applications and require proper maintenance and handling. To enhance the performance and service of NJR's semiconductors, the devices, machinery or equipment into which they are integrated should undergo preventative maintenance and inspection at regularly scheduled intervals. Failure to properly maintain equipment and machinery incorporating these products can result in catastrophic system failures
2. The specifications on this datasheet are only given for information without any guarantee as regards either mistakes or omissions. The application circuits in this datasheet are described only to show representative usages of the product and not intended for the guarantee or permission of any right including the industrial property rights.
All other trademarks mentioned herein are the property of their respective companies.
3. To ensure the highest levels of reliability, NJR products must always be properly handled.
The introduction of external contaminants (e.g. dust, oil or cosmetics) can result in failures of semiconductor products.
4. NJR offers a variety of semiconductor products intended for particular applications. It is important that you select the proper component for your intended application. You may contact NJR's Sale's Office if you are uncertain about the products listed in this datasheet.
5. Special care is required in designing devices, machinery or equipment which demand high levels of reliability. This is particularly important when designing critical components or systems whose failure can foreseeably result in situations that could adversely affect health or safety. In designing such critical devices, equipment or machinery, careful consideration should be given to amongst other things, their safety design, fail-safe design, back-up and redundancy systems, and diffusion design.
6. The products listed in this datasheet may not be appropriate for use in certain equipment where reliability is critical or where the products may be subjected to extreme conditions. You should consult our sales office before using the products in any of the following types of equipment.
 - Aerospace Equipment
 - Equipment Used in the Deep Sea
 - Power Generator Control Equipment (Nuclear, steam, hydraulic, etc.)
 - Life Maintenance Medical Equipment
 - Fire Alarms / Intruder Detectors
 - Vehicle Control Equipment (Airplane, railroad, ship, etc.)
 - Various Safety Devices
7. NJR's products have been designed and tested to function within controlled environmental conditions. Do not use products under conditions that deviate from methods or applications specified in this datasheet. Failure to employ the products in the proper applications can lead to deterioration, destruction or failure of the products. NJR shall not be responsible for any bodily injury, fires or accident, property damage or any consequential damages resulting from misuse or misapplication of the products. The products are sold without warranty of any kind, either express or implied, including but not limited to any implied warranty of merchantability or fitness for a particular purpose.
8. Warning for handling Gallium and Arsenic (GaAs) Products (Applying to GaAs MMIC, Photo Reflector). These products use Gallium (Ga) and Arsenic (As) which are specified as poisonous chemicals by law. For the prevention of a hazard, do not burn, destroy, or process chemically to make them as gas or power. When the product is disposed of, please follow the related regulation and do not mix this with general industrial waste or household waste.
9. The product specifications and descriptions listed in this datasheet are subject to change at any time, without notice.

