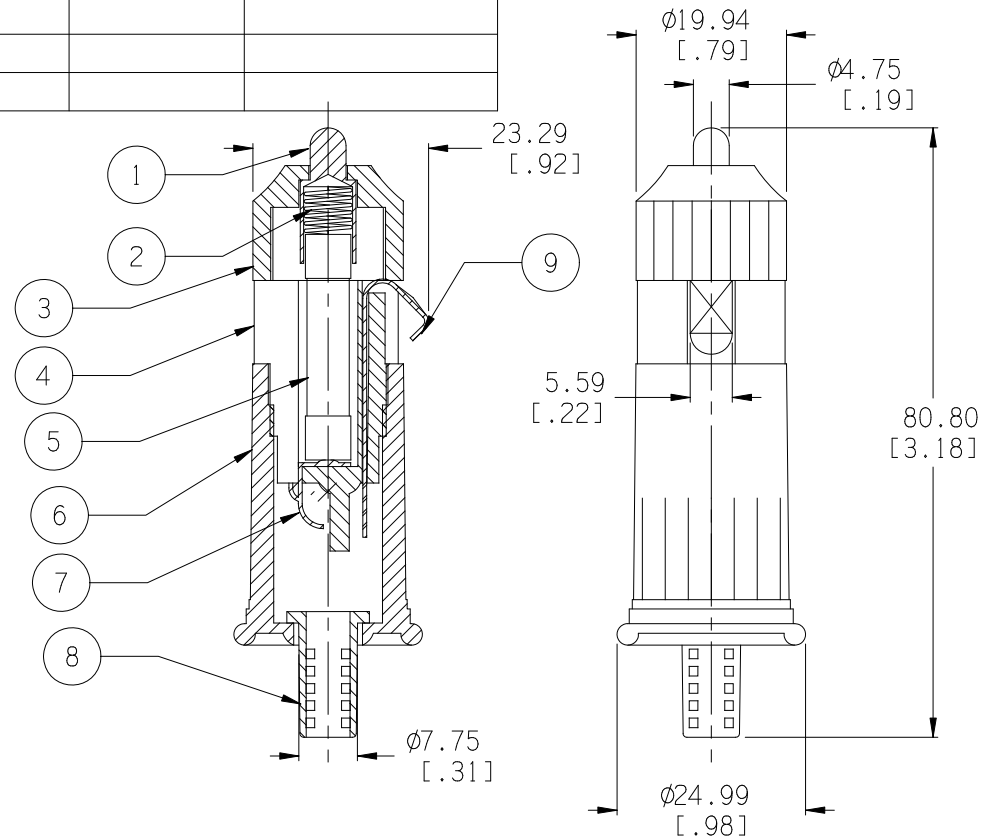



ITEM NO.	PART NAME	MATL. SPECIFICATION	CAT. NO.	APPROVED NO.
1	TIP CONTACT (+) TERMINAL	BRASS, NICKLE PLTD.		
2	SPRING	SW80C		
3	NOSE CAP	BAKELITE, BLACK	T385J	E59481(S)
4	MIDDLE BODY	BAKELITE, BLACK	T385J	E59481(S)
5	FUSE	3AG (6.35 x 30mm), 3amp		
6	BOTTOM BODY	BAKELITE, BLACK	T385J	E59481(S)
7	(+) TERMINAL	NICKLE PLTD		
8	STRAIN RELIEF	PVC, 100%		
9	(-) TERMINAL	BRASS, NICKLE PLTD		

Date	SYM	REVISION RECORD	AUTH	DR.	CK.
08/28/14	A	UPDATED TO ROHS 2 COMPLIANT	T.B.	B.S.	

ROHS 2 COMPLIANT



Tolerance (Inches)	 <b>Memory Protection Devices, Inc.</b> 200 Broad Hollow Road, Farmingdale, New York 11735		
Decimal		Scale	Drawn By B.S.
±.5 (.020)			Approved By T.B.
Fractional	Title		
± .8 (.030)	CIGARETTE PLUG FOR 21mm DIA. SOCKETS (INCLUDES FUSE)		
Angular	Date	Drawing Number	
± 3°	08/28/14	ZA1010	