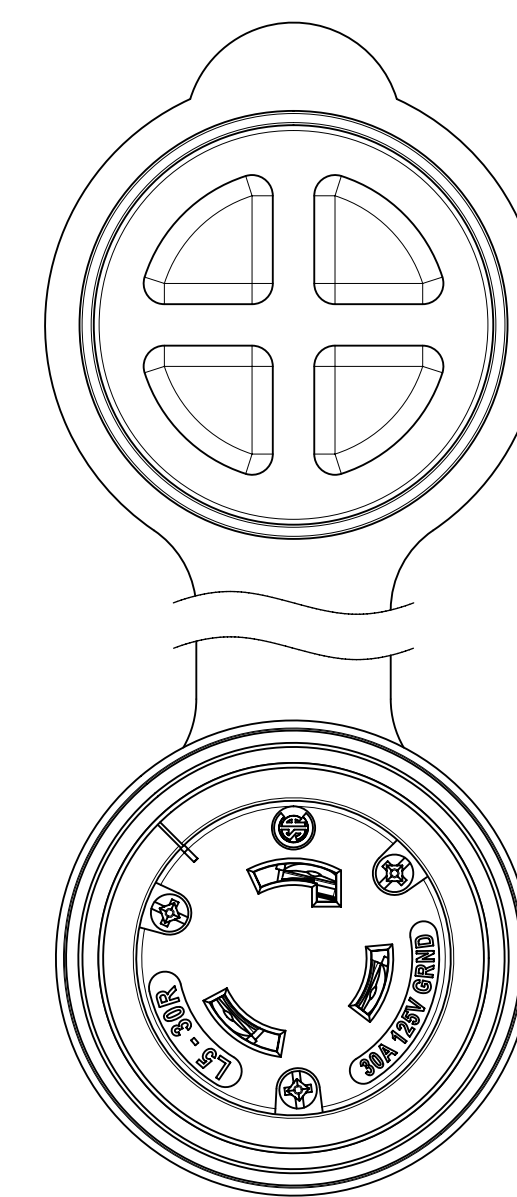
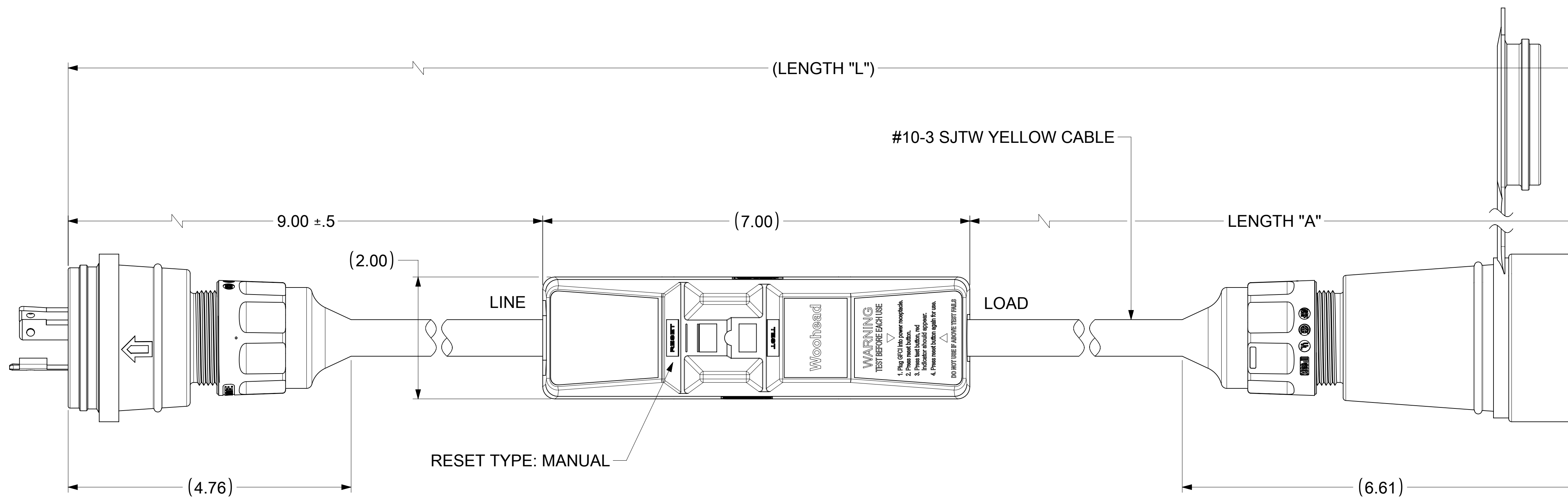
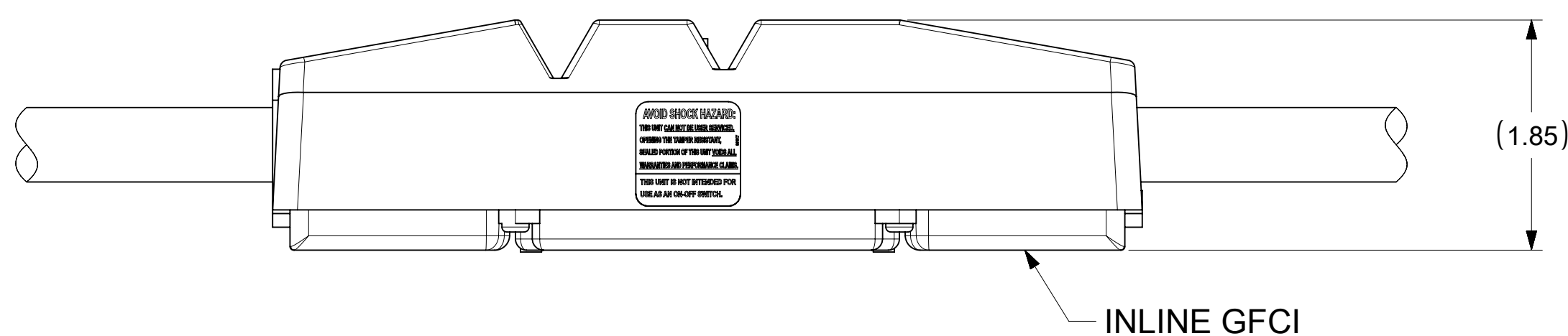


28W47 AS SHOWN



29W47 AS SHOWN



INLINE GFCI

TECHNICAL

- LISTED: UL & CSA
- RATED SUPPLY VOLTAGE: 120VAC, 240VAC
- RATED CURRENT: UP TO 30 AMPS
- RESET TYPE: MANUAL
- OPERATING FREQUENCY: 60 Hz
- TYPE: CLASS A
- GROUND TRIP CURRENT: 4-6 mA
- OVERLOAD CURRENT: 180 AMP
- INSULATION VOLTAGE: 1,500 VRMS - 1 MINUTE
- ENDURANCE OPERATIONS: 3000 OPERATIONS
- GFCI ENCLOSURE: NEMA 3R

| MATERIAL NO. | PART NO. | LENGTH "A" | LENGTH "L" | INPUT PLUG | OUTPUT CONNECTOR | INLINE GFCI P/N | RATED VOLTAGE |
|--------------|----------|----------------------|--------------------------|------------|------------------|-----------------|---------------|
| 1301530173 | 30052-1 | 9.00 IN. ± 0.5" | 2 FT. 1 IN. ± 1" | 28W47 | 29W47 | 30-0900 | 120V |
| 1301530178 | 30052-6 | 5.0 FT. ± 1.0" | 6 FT. 4 IN. ± 1.5" | 28W47 | 29W47 | 30-0901 | 120V |
| 1301530192 | 30054-1 | 9.00 IN. ± 0.5" | 2 FT. 1 IN. ± 1" | 28W48 | 29W48 | 30-0902 | 240V |
| 1301530198 | 30054-6 | 5.0 FT. ± 1.0" | 6 FT. 4 IN. ± 1.5" | 28W48 | 29W48 | 30-0903 | 240V |
| 1301530195 | 30054-25 | 24.0 FT. +2.0"/-0.0" | 25 FT. 4 IN. +2.5"/-0.5" | 28W48 | 29W48 | 30-0904 | 240V |

| | | | | | |
|--|---|-------------------------------|---|--------------------------|---|
| FUNCTIONAL SYMBOLS FA = 0 FC = 0 FD = 0 | THIS DRAWING CONTAINS INFORMATION THAT IS PROPRIETARY TO MOLEX ELECTRONIC TECHNOLOGIES, LLC AND SHOULD NOT BE USED WITHOUT WRITTEN PERMISSION | | CURRENT REV DESC: NEW SALES DRAWING CREATED | | molex |
| | DIMENSION UNITS INCH | SCALE NTS | | | |
| DIVISIONAL SYMBOLS | GENERAL TOLERANCES (UNLESS SPECIFIED) | | EC NO: 687929 | | GFCI IN-LINE 30A WITH WATERTITE PLUG & CONN |
| | ANGULAR TOL ± ° | | DRWN: PPURSUTANDEL 2021/12/06 | | |
| | 4 PLACES ± | | CHK'D: DNGUYEN62 2021/12/09 | | |
| | 3 PLACES ± | | APPR: HKNEELAND 2022/01/18 | | |
| 2 PLACES ± | | INITIAL REVISION: | | PRODUCT CUSTOMER DRAWING | |
| 1 PLACE ± | | DRWN: PPURSUTANDEL 2021/12/06 | | DOCUMENT NUMBER | |
| 0 PLACES ± | | APPR: HKNEELAND 2022/01/18 | | 1301530173 | |
| DRAFT WHERE APPLICABLE MUST REMAIN WITHIN DIMENSIONS | | THIRD ANGLE PROJECTION | DRAWING | SERIES | DOC TYPE DOC PART REVISION |
| | | | D-SIZE | 130153 | PSD 000 A |
| | | | SEE TABLE | GENERAL MARKET | SHEET NUMBER |
| | | | | | 1 OF 1 |