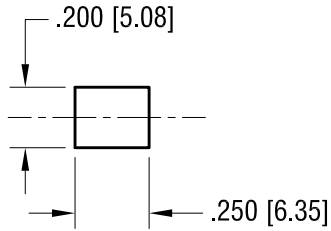
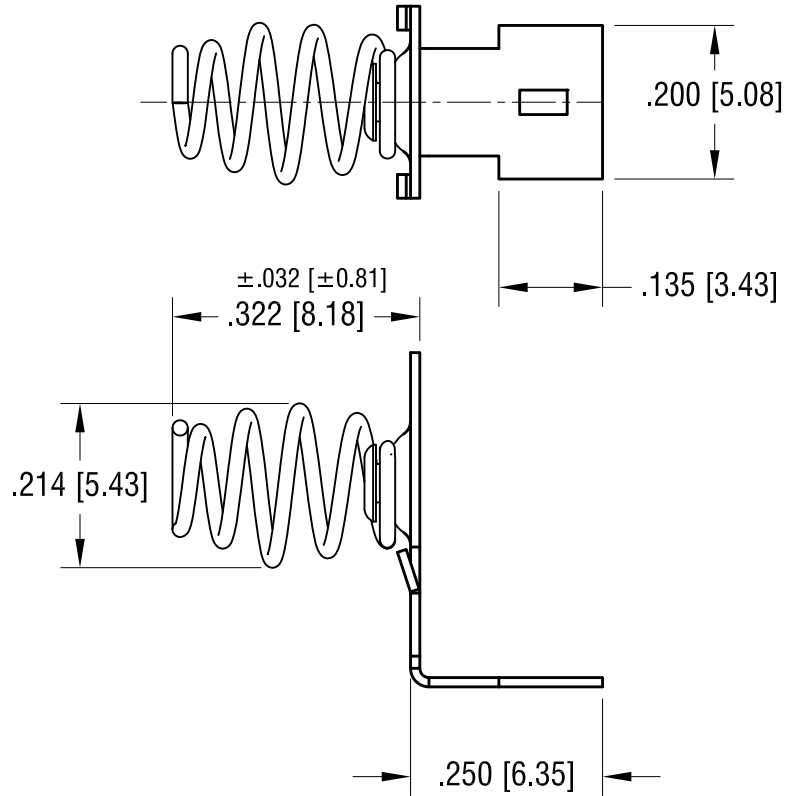
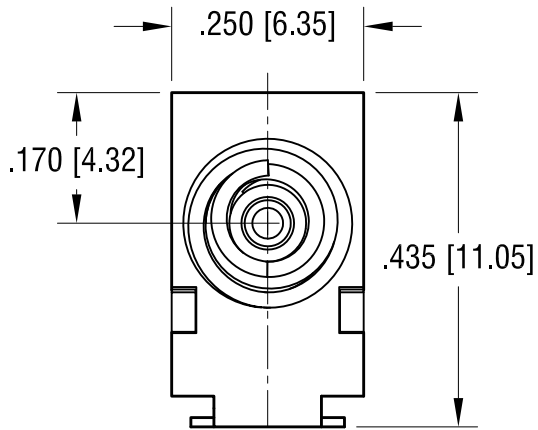


**MOUNTING PAD LAYOUT**



THIS DOCUMENT IS THE PROPERTY OF  
KEYSTONE ELECTRONICS CORP. AND  
SHALL NOT BE REPRODUCED, DISTRIBUTED  
OR USED AS A BASIS FOR MANUFACTURE  
WITHOUT PRIOR WRITTEN PERMISSION  
FROM KEYSTONE ELECTRONICS CORP.

**ACTUAL SIZE**



**NOTE:**

1. BASE: MAT'L- .012 TH'K STAINLESS STEEL
2. SPRING: MAT'L- .020 DIA, MUSIC WIRE
3. SPRING EYELETED TO THE BASE

**KEYSTONE ELECTRONICS CORP.**

www.keyelco.com • ASTORIA, N.Y. 11105-2017 • Tel (718) 956-8900

PART NAME

SM BATTERY CONTACT

MATERIAL

AS NOTED

FINISH

GOLD PLATED

DRN BY

NT

DATE

8.02.16

APP'D

LN

SCALE

4X

TOLERANCES

INCH [MM]

DECIMAL ± .005 [± 0.13]

ANGULAR ± 1°  
UNLESS OTHERWISE SPECIFIED

CODE

C

DWG NO.

1076-2

DATE

DESCRIPTION

REV.