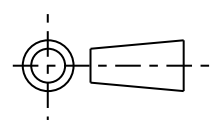


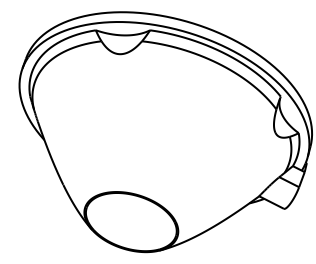
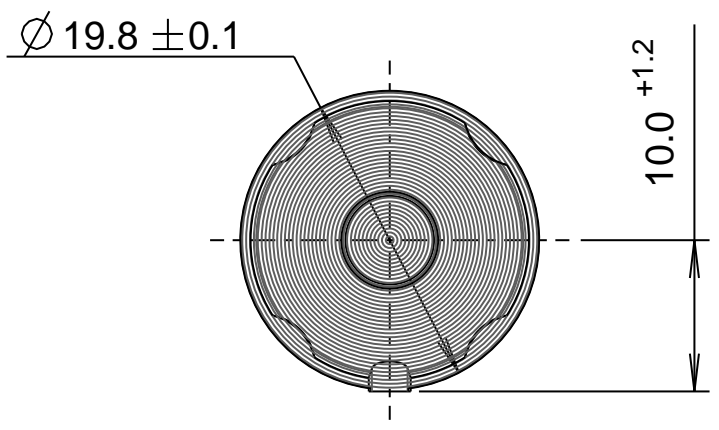
ISS.	DATE	E.C.N.	DESCRIPTION
2	31-Aug-04	08/04/1160	INCLUSION SPECIFICATION ADDED
3	15-Jan-07	1/07/1198	SCALLOP SIZE INCREASED

© 2007 CARCLO
ALL DIMENSIONS IN mm



CARCLO TECHNICAL PLASTICS (SLOUGH) LTD.
111 BUCKINGHAM AVE, SLOUGH
SL1 4PF, ENGLAND
TEL: +44 1753 575011 FAX: +44 1753 811359
e-mail: design@ctpcoil.co.uk}

CUSTOMER DRAWING



3D VIEW

GENERAL TOLERANCES (UNLESS STATED)

LINEAR	ANGULAR
X +/- 0.25	X +/- 1°
X.X +/- 0.1	X.X +/- 0.5°
X.XX +/- 0.05	X.XX +/- 0.1°

CUSTOMER

CARCLO

TITLE

LED Optic 15 Deg Circular

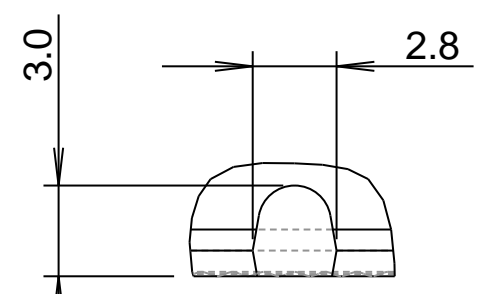
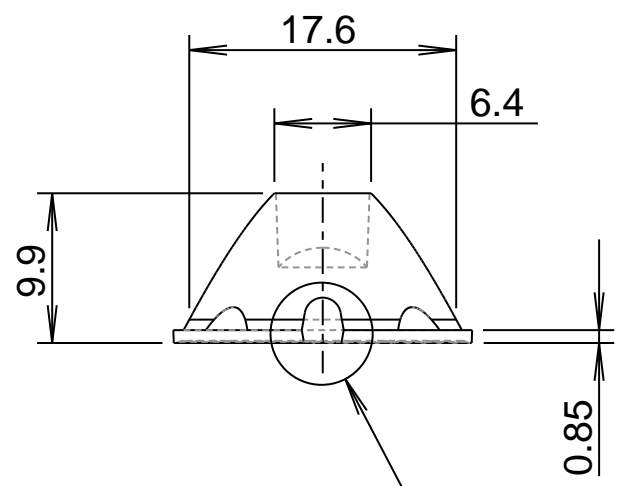
DRAWN **AJD** DATE **31-Aug-04**

CHK'D DATE

APP'D DATE

SCALE **2:1** COIL PART No. **10003/15**

SIZE **A4** COIL DRG. No. **60347** SHEET **1 OF 1**



DETAIL A
SCALE 4:1

SEE DETAIL A