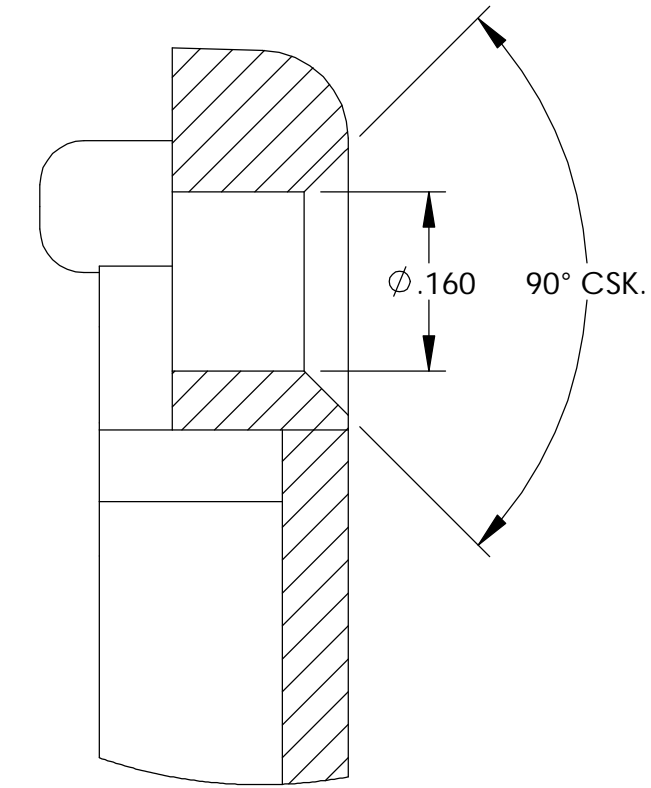
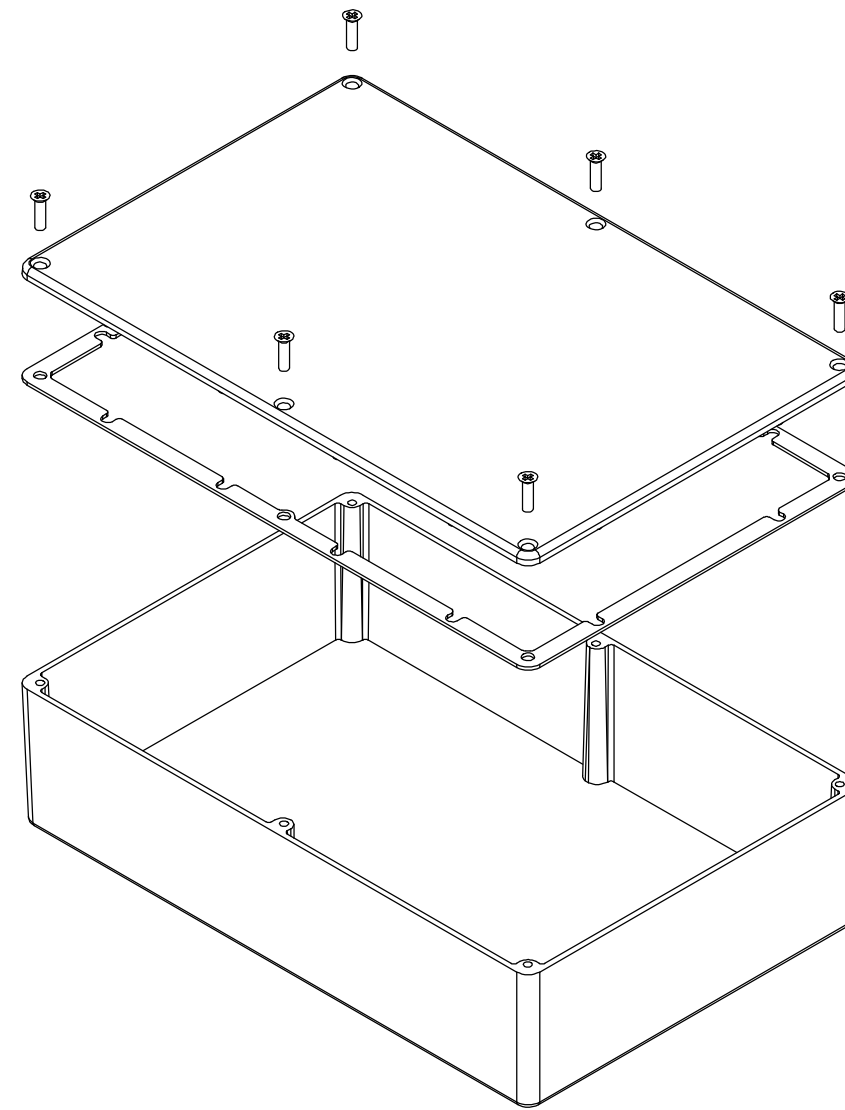


THE INFORMATION CONTAINED IN THIS DRAWING IS THE SOLE PROPERTY OF BUD INDUSTRIES INC. ANY REPRODUCTION IN PART OR WHOLE WITHOUT THE WRITTEN PERMISSION OF BUD INDUSTRIES INC. IS PROHIBITED.

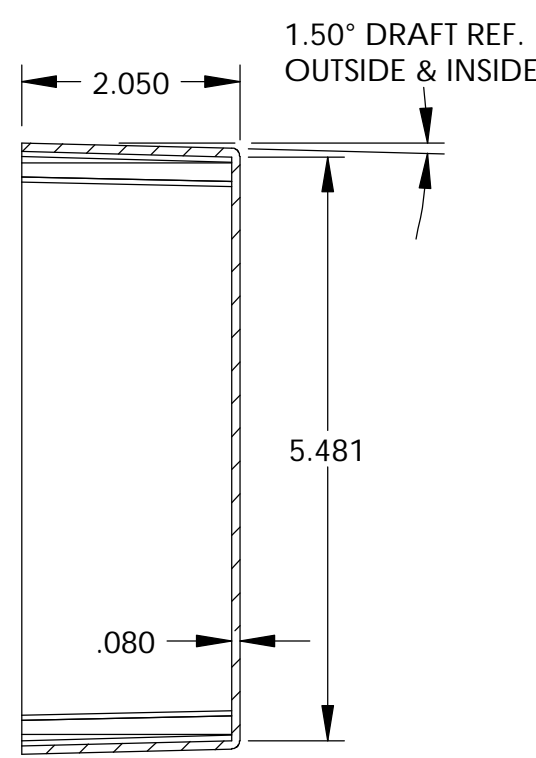
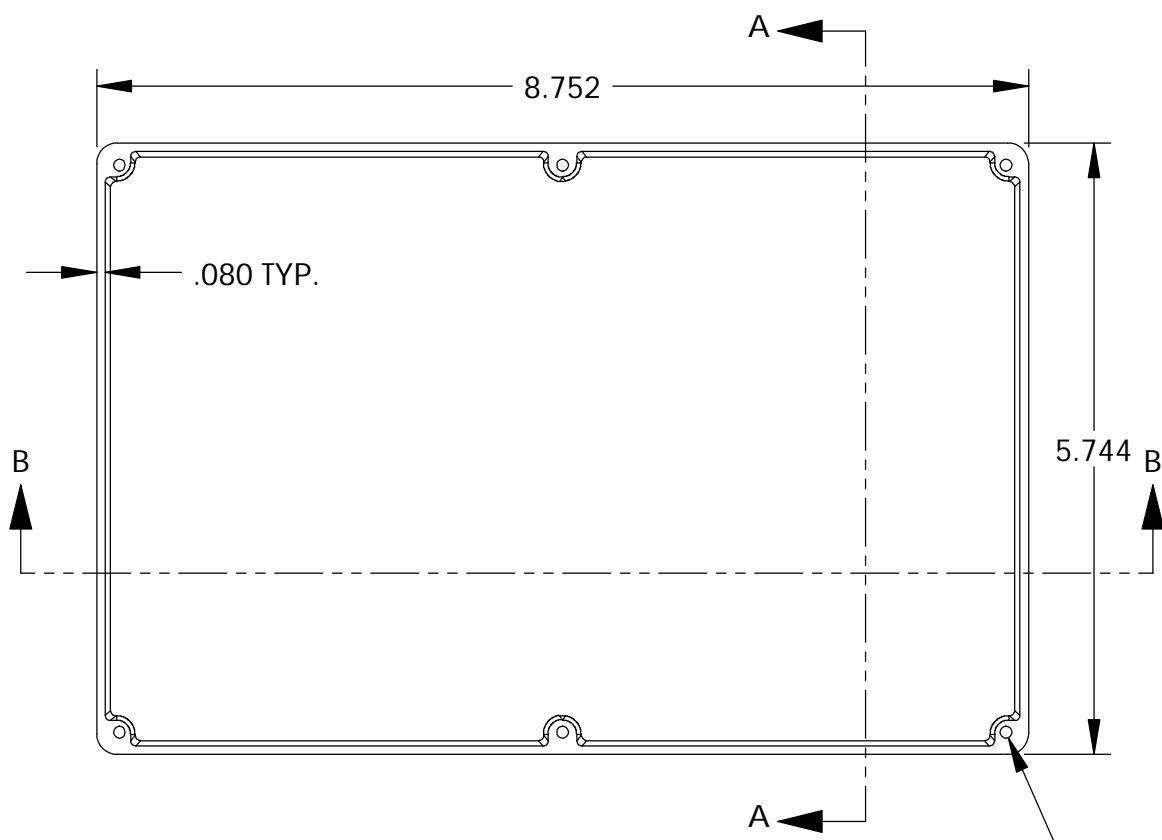
DWG. NO. CN-5711
 ISSUE REVISIONS

MATERIAL - ALUMINUM ALLOY #ADC-12
 FINISH - NATURAL (CONTACT BUD FACTORY FOR ALTERNATE FINISHES)
 GASKET - RATED IP65 NEOPRENE, SELF-ADHESIVE, 3mm THICK, COLOR BLACK
 SCREWS - STAINLESS STEEL, M3.5 x 12mm LG., CSK. HEAD, SELF-THREADING

ALL HOLE DIAMETERS HAVE ±.005 TOLERANCE.
 ALL OTHER DIMENSIONS HAVE ±.015 TOLERANCE.
 ENCLOSURES ARE SHIPPED UNASSEMBLED WITH ALL ITEMS SHOWN.



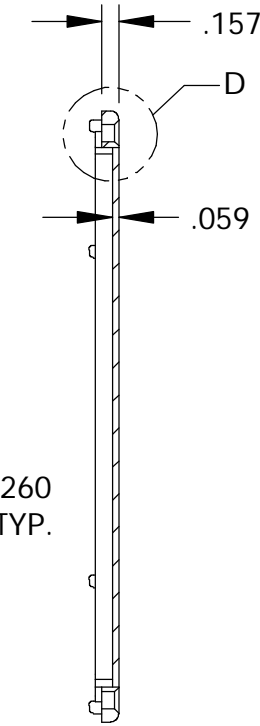
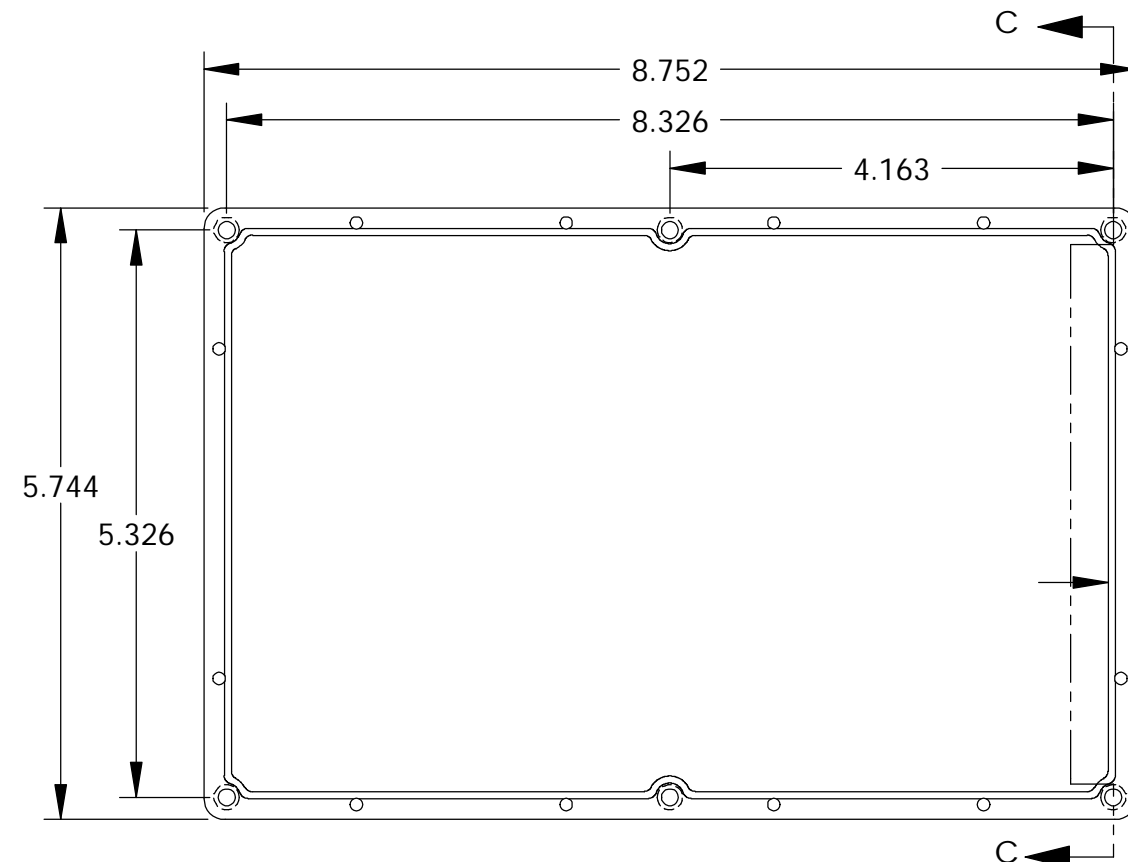
DETAIL D
 SCALE 6 : 1



SECTION A-A

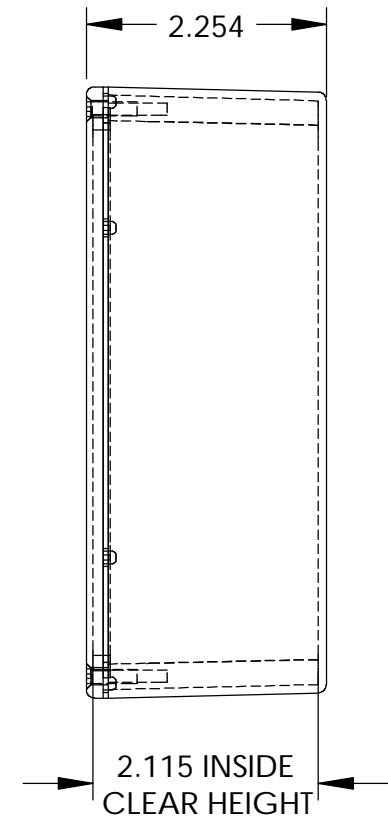
TAPPED M3.5 (6x)

BODY

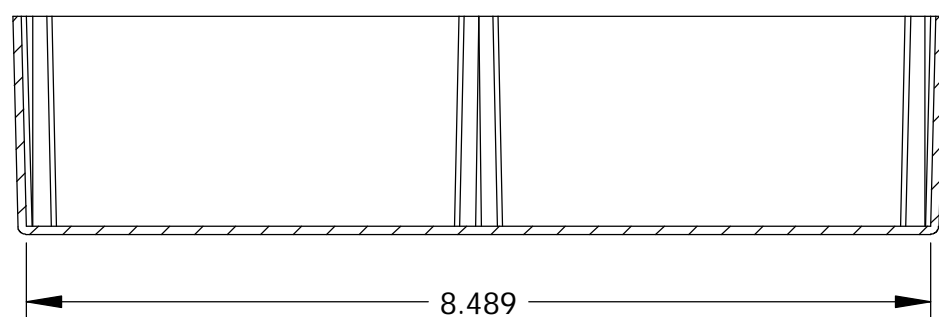


SECTION C-C

COVER



2.115 INSIDE CLEAR HEIGHT



SECTION B-B

PARTS LIST			
±.005 BETWEEN HOLE CENTERS	CAD GENERATED DRAWING. DO NOT MANUALLY UPDATE	BUD INDUSTRIES INC.	
±.015 FROM SHEARED EDGE		DIE CAST ALUMINUM ENCLOSURE	
±.032 FROM A BENT SURFACE	APPROVALS DATE		
±.062 BETWEEN ASSEMBLED SURFACES	DRAWN DAB 3-31-06		
UNLESS OTHERWISE SPECIFIED	CHECKED		
MATERIAL	APPROVED		
AS NOTED			
AS NOTED			
QTY.	USED ON	DWG. NO. CN-5711	REV.
	DO NOT SCALE DRAWING	SCALE	CAD FILE: SHEET 1 OF 1