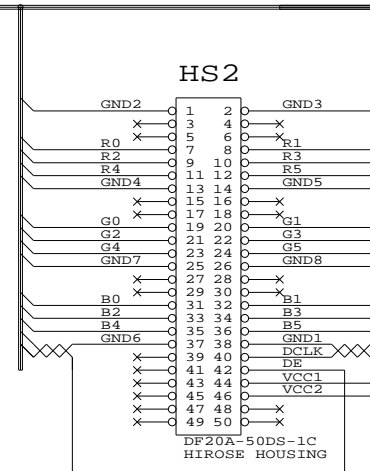
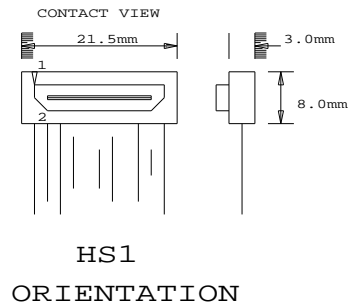
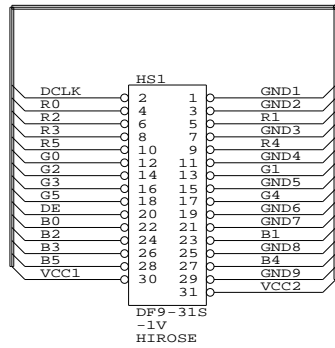


PANEL SIDE



CABLE: UL1571, 30AWG, COLOR CODED
 INNER SHIELDING: COPPER MESH
 OUTER SHIELDING: NYLON MESH FOR INSULATION

DCLK/GND1 & DE/GND6 MUST USE TWISTED PAIR WIRE
 HS1 PIN29(GND9) CONNECT TO COPPER MESH

RoHS
COMPLIANCE

REMARK: SVH-1920 VERSION OF 426313200-3

P/N 426501600-3
 PANEL CABLE: LTM10C209A, 330mm

DIGITAL VIEW LTD.		
COPYRIGHT 2008, ALL RIGHTS RESERVED		
CONFIDENTIAL		
DRAWN BY: VICTOR NG		
Title	P.CABLE: LTM10C209A, 330mm	
Size	Document Number	REV
B	(G:\...\DV\DV_CABLE\C6501600.SCH)	00
Date:	September 23, 2008	Sheet 1 of 1