

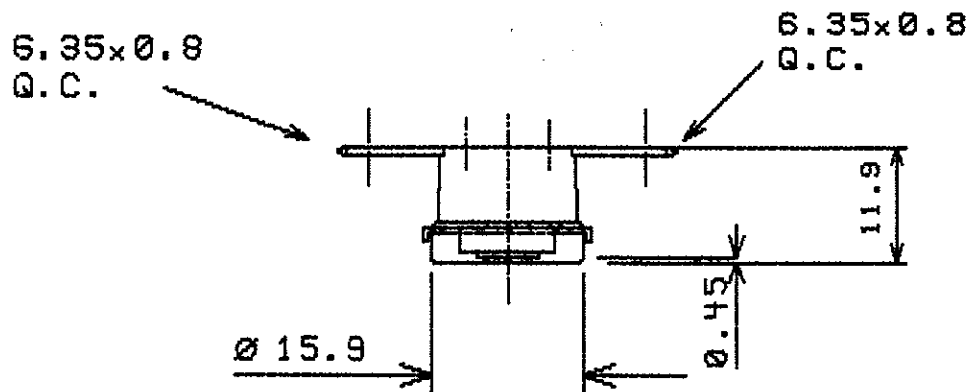
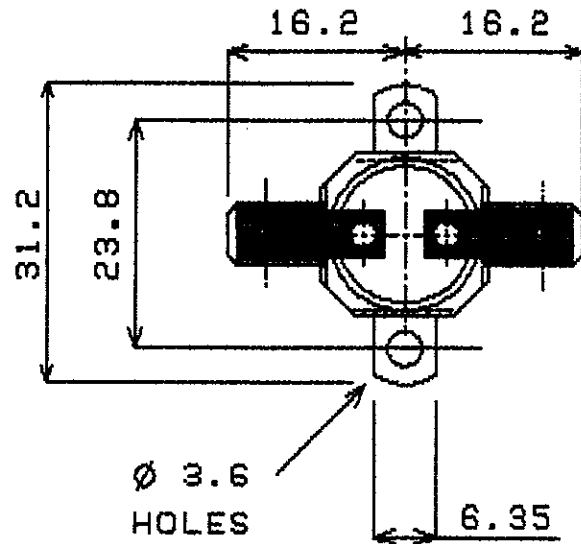
DO NOT SCALE ALL DIMENSIONS ARE FOR REFERENCE ONLY

OPERATING CRITERIA

VOLTS: 240      AMPS: 10      HZ:

OPERATING TEMPS. DEG.C

OPEN: 80 ± 3  
CLOSE: 65 ± 5



NOTE: ORIENTATION OF BRACKET IS NOT FIXED

ISSUE	A	B								
MOD No	2052	2258								
MTH/YR	3/97	7/98								

CODING REQUIREMENTS  
COLOUR: LASER CODE  
L80C RP 9100 436XXX  
(XXX = DATE CODING)

CAP: 5200      MAT'L: ALUMINIUM  
BRK'T: B2036      MAT'L: STEEL  
..... PLATING: NICKEL .....

TERMINAL: T146	T146
MATERIAL: BRASS	BRASS
PLATING:	

ELMWOOD DEVICE & UNIQUE PART No. 2455RP-9100-436	ELMWOOD DRG No. 965204	ISSUE B
---	---------------------------	------------



ELMWOOD  
SENSORS LTD

DATE OF ISSUE STAMP

7/98