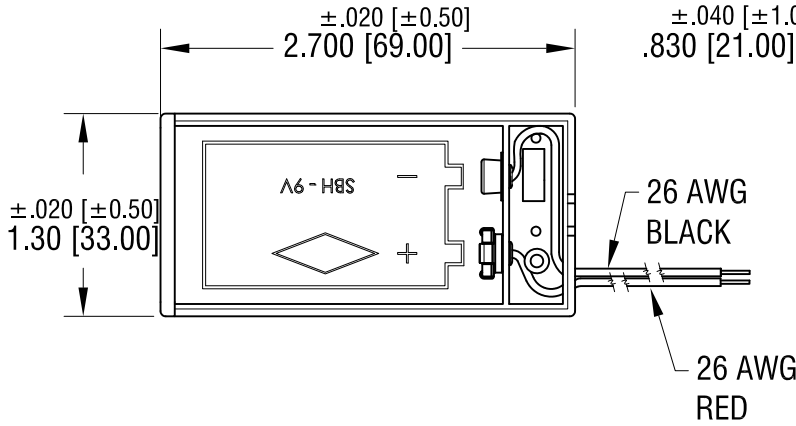
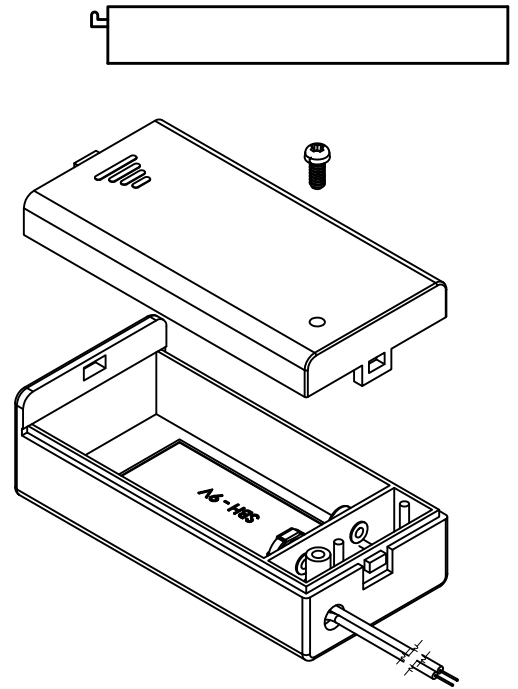
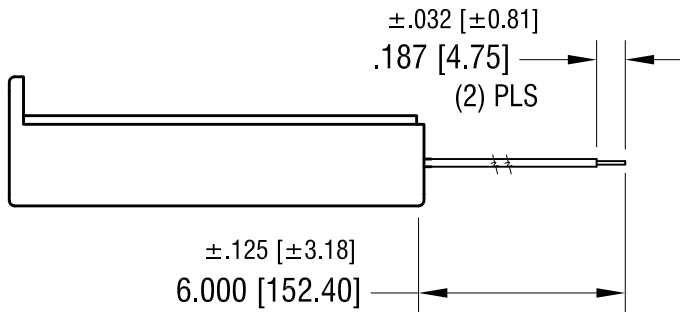


THIS DOCUMENT IS THE PROPERTY OF KEYSTONE ELECTRONICS CORP. AND SHALL NOT BE REPRODUCED, DISTRIBUTED OR USED AS A BASIS FOR MANUFACTURE WITHOUT PRIOR WRITTEN PERMISSION FROM KEYSTONE ELECTRONICS CORP.

**HOLDER**



**COVER**



**NOTE:**

1. HOLDER: MAT'L: A.B.S., BLACK
2. WIRE: 26 AWG, 1007 UL/CSA APPROVED
3. CONTACT: MAT'L- BRASS, NICKEL PLATE
4. RED WIRE CONNECTED TO FEMALE CONTACT  
BLACK WIRE CONNECTED TO MALE CONTACT

<b>KEYSTONE ELECTRONICS CORP.</b>			
www.keyelco.com • NEW HYDE PARK, NY 11040 • Tel (516) 328-7500			
PART NAME			
BATTERY HOLDER AND COVER 9V			
MATERIAL			
AS NOTED			
FINISH		DRN BY	DATE
AS NOTED		NT	9.21.18
		APP'D	SCALE
		LN	.7X
TOLERANCES	INCH [MM]	CODE	DWG NO.
DECIMAL	$\pm .015 [\pm 0.38]$	C	<b>245</b>
ANGULAR	$\pm 1^\circ$		
UNLESS OTHERWISE SPECIFIED			

DATE	DESCRIPTION	REV.