

PART NAME HAND HELD ENCLOSURE (STYLE D)

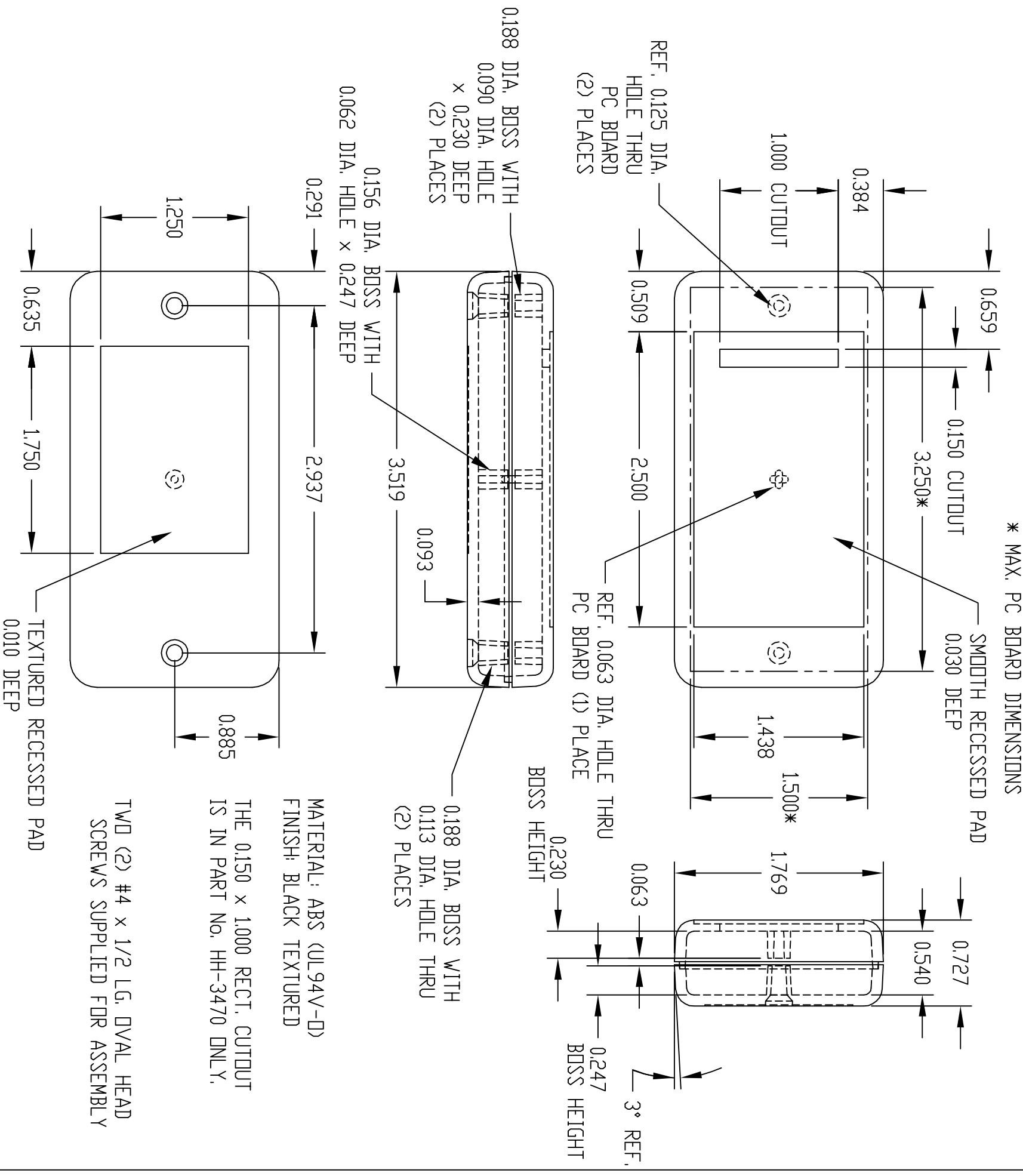
PART No.

HH-3470 & HH-3471

REV. DATE

10-29-08

ALL DIMENSIONS HAVE ± 0.015 TOLERANCE



PART NAME HAND HELD KEYRING (STYLE E)

PART No.

HH-3490

REV. DATE

10-29-08

ALL DIMENSIONS HAVE ± 0.015 TOLERANCE

