

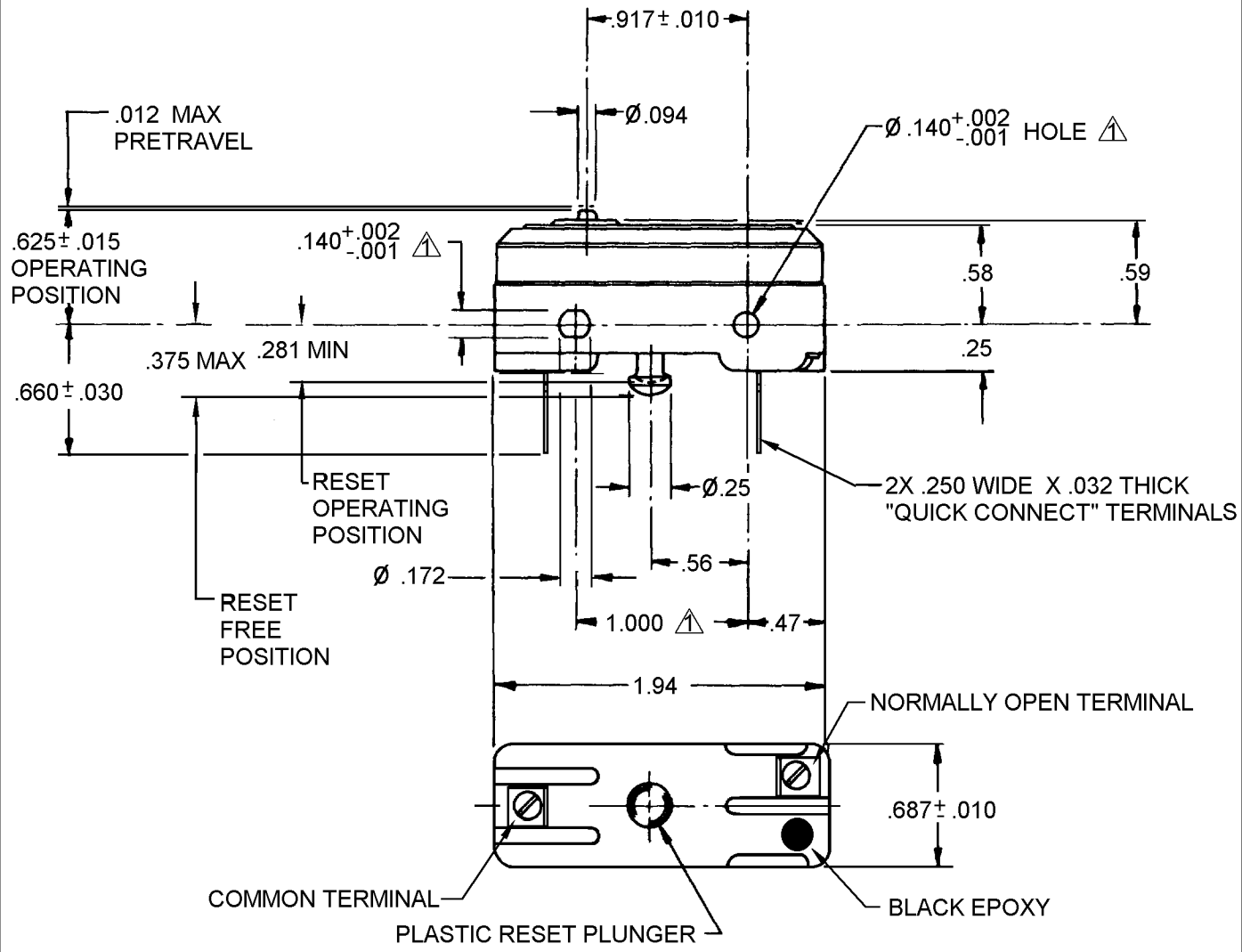
**MICRO SWITCH**  
a Honeywell Division

**SWITCH - BASIC**

**YZ-RX62-D584**

FED. MF6. CODE 91929

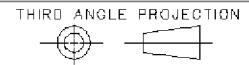
CATALOG LISTING  
YZ-RX62-D584  
PAGE 1 OF 1  
REPLACES X115125-YZ  
ECO-0001163  
RELEASE NO.  
M  
A  
ISSUE  
CHECK  
REVISIONS  
CHECK  
18 AUG 03  
SAV  
CHECK  
18 AUG 03  
DRAWN  
JAH  
18 AUG 03  
RASTER



**NOTES**  
▲ MOUNTING HOLES WILL ACCEPT PINS OR SCREWS OF Ø .139 MAX ON 1.000 ± .002 CENTERS

ANSI Y14.5M-1982 APPLIES

THIS DRAWING COVERS A PROPRIETARY ITEM AND IS THE PROPERTY OF MICRO SWITCH, A DIVISION OF HONEYWELL. THIS DRAWING IS NOT TO BE COPIED OR USED WITHOUT THE APPROVAL OF MICRO SWITCH.



CHARACTERISTICS	ELECTRICAL DATA	SCALE FULL	DO NOT SCALE PRINT
OPERATING FORCE _____ 4 OZ MAX OVERTRAVEL _____ .005 MIN	CONTACT ARRANGEMENT <b>S.P.N.O.</b>	<b>UNLESS OTHERWISE SPECIFIED TOLERANCES ARE</b>	
RESET CHARACTERISTICS OPERATING FORCE _____ 2-10 OZ OVERTRAVEL _____ .015 MIN	L67 15A 125, <u>250</u> OR 480 VAC 1/4HP 125 VAC, 1/2HP <u>250</u> VAC 1/2A 125 VDC, 1/4A 250 VDC <b>FIG. 67</b>	ONE PLACE (.0) ±.030 TWO PLACE (.00) ±.015 THREE PLACE (.000) ±.005	
		ANGLES ±	
		WEIGHT .055 LB	