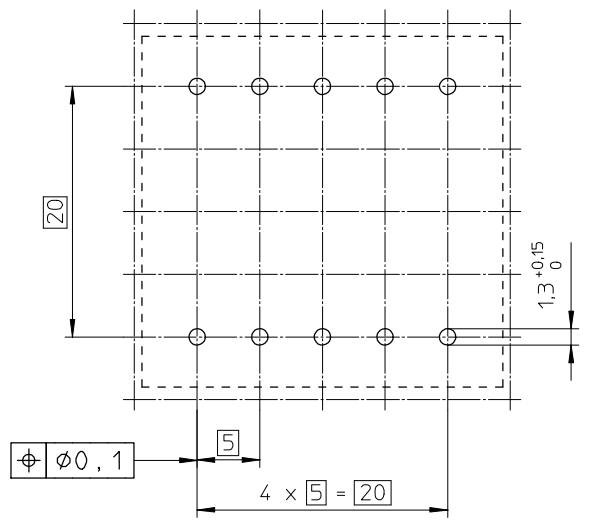
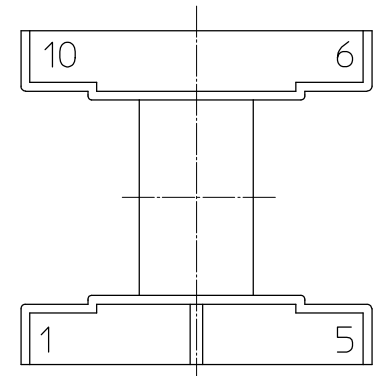


PIN ARRANGEMENT:



Coil former material: Valox 420SE0 (PBT), glass-reinforced.  
 UL file number: E45329 - UL94V-0.  
 Pin material: Copperclad steel - Sn plated.  
 Max. operating temp.: acc. to IEC 60 085 class F, 155°C.  
 Resistance to soldering heat: acc. to IEC 60 068-2-20 Part 2, Test Tb, method 1B, 350°C-3.5s.  
 Solderability: acc. to IEC 60 068-2-20 Part 2, Test Ta, method 1, 235°C-2s.  
 Min. winding area: 61,8 mm<sup>2</sup>.  
 Mean length of turn: 52,4 mm.

CLASSNO.		CPH-E25/13/7-1S-10P		4322 021 00391		93-09-24
97-02-14						97-02-14
						97-04-18
						04-10-05
						07-02-14
NAME NAAM	A.Wojtasz	SUPERS. VERV.	1	SH BL	112 - 001	069
MPA	CHECK CONTR.	DAT.	93-01-11	Property of Eigendom van	© FERROXCUBE 2000	
						A3