

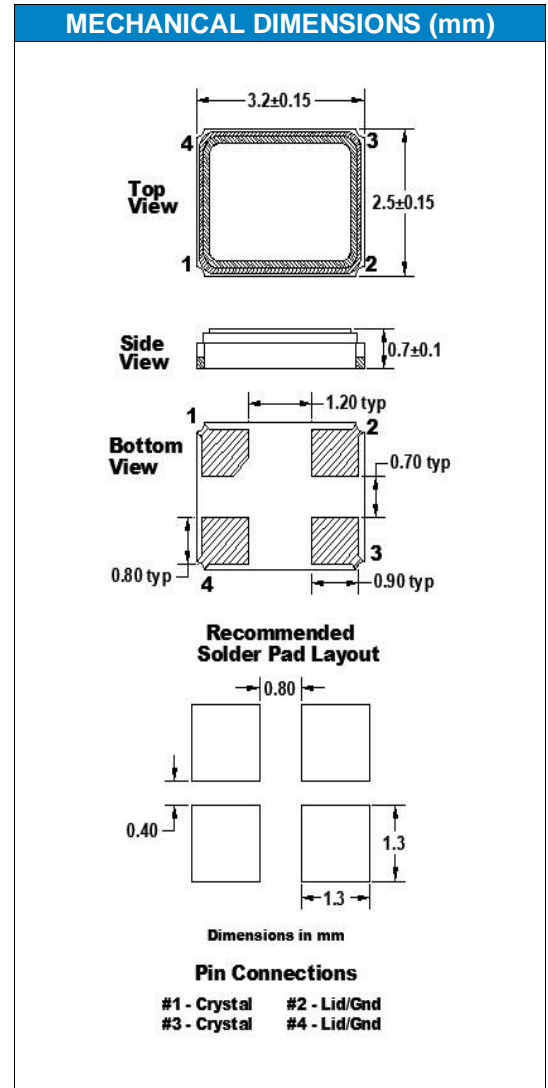
# Fox Part Number: 603-25-261

## 3225 CERAMIC CRYSTAL SEAM SEAL

**MODEL: C3BS** (Formerly FX325BS Series)

RoHS / REACH Compliant / Pb-Free

SPECIFICATIONS	
Parameter	
Frequency	25.000
Resonance Mode	Fundamental
Frequency Tolerance @ 25°C	±20.0 ppm max
Frequency Stability, ref @ 25°C Over Operating Temp. Range	±20.0 ppm max
Temperature Range Operating (T <sub>OPR</sub> ) Storage (T <sub>STG</sub> )	-40°C ~ +85°C -55°C ~ +125°C
Equivalent Series Resistance (ESR)	50 Ω max
Shunt Capacitance (C <sub>0</sub> )	3 pF max
Load Capacitance (C <sub>L</sub> )	8 pF
Drive Level	0.3 mW
Aging per year	±5 PPM max
Maximum Soldering Temp / Time	260°C / 10 Seconds x2
Moisture Sensitivity Level (MSL) Per J-STD-033	N/A
Termination Finish:	Au (0.3~1µm) over Ni (1.27~8.89µm)
Lead (Pb) Free	Yes
RoHS Compliant	Yes, no exemptions
REACH Compliant (latest version)	Yes



**NOTE:** The above specifications, having been carefully prepared and checked, is believed to be accurate at the time of publication; however, no responsibility is assumed by Fox Electronics for inaccuracies.

Reference / Comments	Title / Description: Product Specifications	
08/05/2020: Updated storage temp range	<b>Drawing Number:</b> DWG-102102	<b>Revision:</b> B
© Copyright 2020 Fox Electronics. All rights reserved	<b>Part Number:</b> 603-25-261	<b>Cage:</b> 61429
	<b>Draftsperson:</b> MAJ	<b>Approved:</b> BEC
	<b>Date:</b> 08/05/2020	

# Fox Part Number: 603-25-261

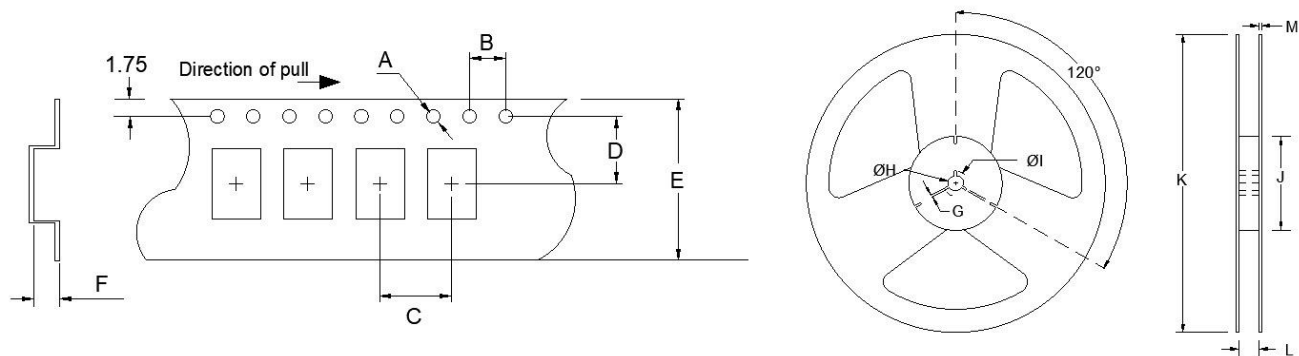
**3225 CERAMIC CRYSTAL SEAM SEAL**

**MODEL: C3BS** (Formerly FX325BS Series)

RoHS / REACH Compliant / Pb-Free

## Tape & Reel Specification

Tape Specifications (millimeters)						
A	B	C	D	E	F	Reel Options
Ø1.5	4.0	4.0	3.5	8.0	1.3	-T1 = 1,000 -T2 = 2,000 -T3 = 3,000



Reel Specifications (millimeters)						
G	H	I	J	K	L	M
2.0	Ø13	Ø21	Ø80	Ø180	9.0	2.0

**NOTE:** The above specifications, having been carefully prepared and checked, is believed to be accurate at the time of publication; however, no responsibility is assumed by Fox Electronics for inaccuracies.

Reference / Comments	Title / Description: Product Specifications	
08/05/2020: Updated storage temp range	<b>Drawing Number:</b> DWG-102102	<b>Revision:</b> B
© Copyright 2020 Fox Electronics. All rights reserved	<b>Part Number:</b> 603-25-261	<b>Cage:</b> 61429
	<b>Draftsperson:</b> MAJ	<b>Approved:</b> BEC
	<b>Date:</b> 08/05/2020	