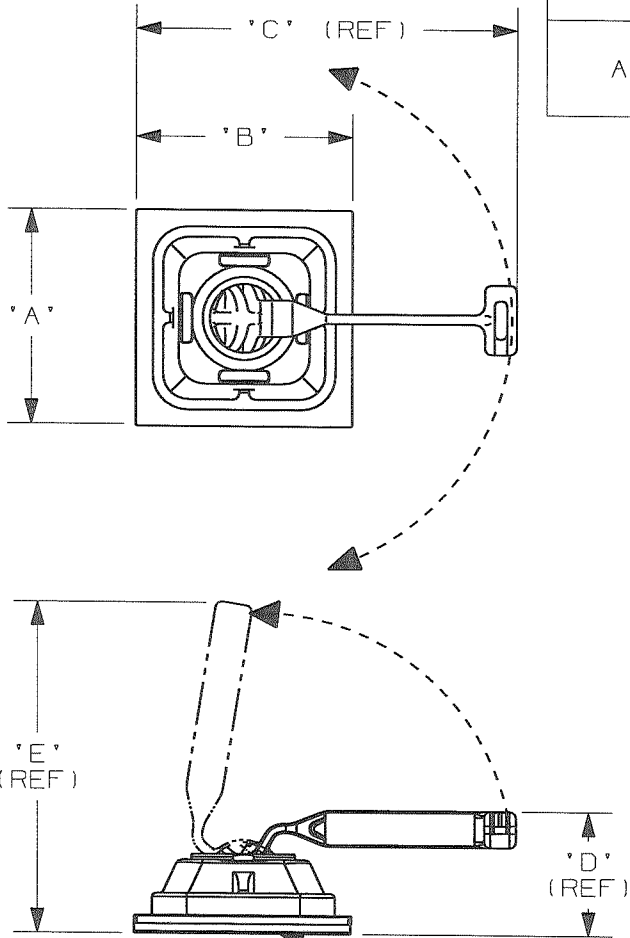


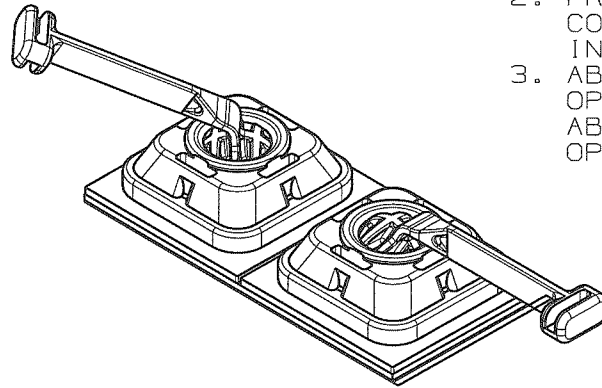
THIS COPY IS PROVIDED ON A RESTRICTED BASIS AND IS NOT TO BE USED IN ANY WAY DETRIMENTAL TO THE INTERESTS OF PANDUIT CORPORATION.

NO WARRANTY, EXPRESSED OR IMPLIED IS MADE BY PANDUIT WITH RESPECT TO ADHESIVE BOND PERFORMANCE. AMONG OTHER THINGS, THE CONDITIONS UNDER WHICH THESE MOUNTS MAY BE APPLIED AND / OR THE SURFACE TO WHICH THEY MAY BE APPLIED ARE BEYOND PANDUIT'S CONTROL.

PANDUIT PART NO.	USE WITH THESE CABLE TIES CROSS SECTIONS	DIMENSIONS					WEIGHT lbs/100 pcs (g)/100 pcs
		A	B	C (REF)	D (REF)	E (REF)	
ABDCM30-A	MINATURE INTERMEDIATE STANDARD	1.12 (28.5)	1.12 (28.5)	1.98 (50.3)	.66 (16.8)	1.73 (44)	.870 (395)
ABDCM30-AV	MINATURE INTERMEDIATE STANDARD	1.12 (28.5)	1.12 (28.5)	1.98 (50.3)	.66 (16.8)	1.73 (44)	.870 (395)



RUBBER OR HIGH BOND ACRYLIC BASED ADHESIVE PRESSURE SENSITIVE FOAM TAPE WITH PROTECTIVE LINER



NOTES:

1. SEE CURRENT PRICE SHEET FOR PART NUMBER SUFFIX DESIGNATION FOR PACKAGE SIZE AND COLOR.
2. PRODUCT IS SUPPLIED IN A PAIRED CONFIGURATION (SEE BELOW) TO AID IN LINER REMOVAL.
3. ABDCM30-A HAS A MAX CONTINUOUS OPERATING TEMP. OF 120°F (49°C)
ABDCM30-AV HAS A MAX CONTINUOUS OPERATING TEMP. OF 185°F (85°C)

DIMENSIONS IN PARENTHESES ARE METRIC (mm)

CAD FILENAME/LAYERS

G03617AA_DC_GB3617AA/05B

PANDUIT CORP.

TINLEY PARK, ILLINOIS

DYNAMIC CABLE MANAGER
ABDCM30-A & ABDCM30-AV

UNLESS OTHERWISE SPECIFIED, DIMENSIONAL TOLERANCES ARE:
(.X) ±0.05 (1.3) (.XXX) ±0.010 (0.25)
(.XX) ±0.02 (.5) ANGLES ±5°

UNLESS OTHERWISE SPECIFIED, ALL DIMENSIONS ARE GIVEN IN INCHES, THIRD ANGLE PROJECTION

05B	11-6-09	TMSA	SMY	ADDED ABDCM30-AV PART NUMBER	GB3617AA	05B	KEN					
05A	12/18/08	ARHA		INITIAL RELEASE	GB3617AA	05A						
REV	DATE	BY	CHK	DESCRIPTION	ECN	R	CUST	SUP	OC			

DRAWN BY
ARHA

MAT'L:

DATE
12/18/08

NYLON 6/6

CHK'D
KEN

SCALE

1 : 1

DRAWING NO.

GB3617AA

DWG

SIZE

A