



XR46073 Product Brief

Two-Step LED Current Controller with Line Regulation Compensation

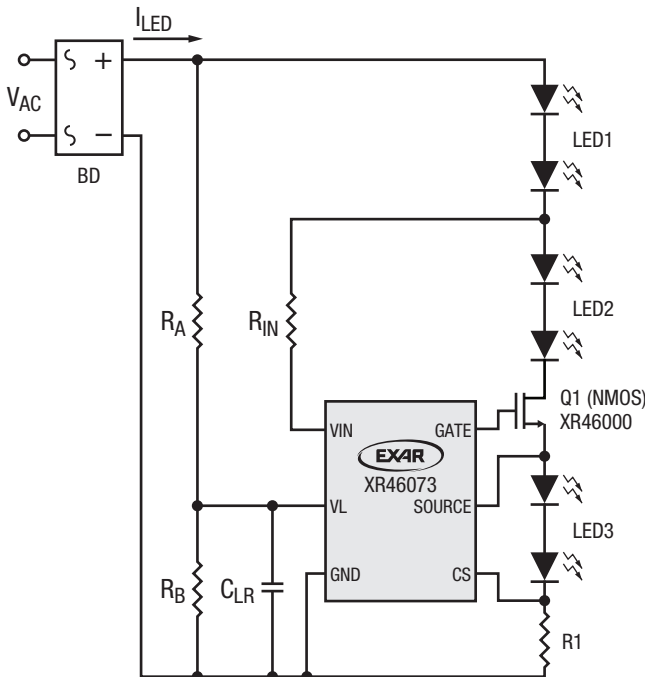
Description

The XR46073 is a two-step LED current controller with line regulation compensation for operating over a wide Alternative Current (AC) voltage source range. It can drive an external N-channel power MOSFET to regulate the current flowing through a High Voltage (HV) LED string.

The XR46073 works as a constant current sink with linear type Overvoltage Protection (OVP), linear type Over Temperature Protection (OTP) and line regulation compensation. It is suitable for applications with a rectified AC voltage source.

The PCB design can be very compact to meet various shape requirements. It is especially suitable for replacing incandescent light bulbs.

Typical Application



FEATURES

Device

- Two-current step control from a single device
- Excellent system power regulation over AC input range
- 6V to 76V supply voltage range
- Over temperature protection
- Overvoltage protection
- TDFN-6 2mm x 2mm package

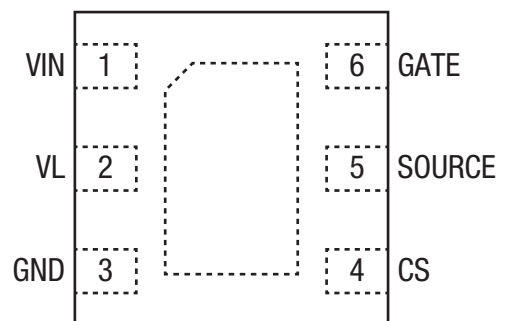
System

- Single board LED lighting solution available
- No electrolytic capacitor or MOV required
- Scalable architecture allows optimization of performance vs. cost
- Driver-on-board and chip-on-board design solution available which minimize process flow and assembly cost
- High PF and Low THD performance
- Flexible PCB layout options
- TRIAC dimmable
- All solid state components

APPLICATIONS

- LED Lighting Applications
 - Downlight
 - High bay
 - Specialty
 - Architectural

Pin Configuration



TDFN-6 2mm x 2mm

Ordering Information⁽¹⁾

Part Number	Operating Temperature Range	Lead-Free	Package	Packaging Method
XR46073IHBTR	-40°C to 85°C	Yes ⁽²⁾	TDFN6 2x2	Tape and reel

NOTE:

1. Refer to www.exar.com/XR46073 for most up-to-date Ordering Information.
2. Visit www.exar.com for additional information on Environmental Rating.

Please contact LEDtechsupport@exar.com to request a complete datasheet.



www.exar.com

48720 Kato Road
Fremont, CA 94538
USA

Tel.: +1 (510) 668-7000
Fax: +1 (510) 668-7001
Email: LEDtechsupport@exar.com

Exar Corporation reserves the right to make changes to the products contained in this publication in order to improve design, performance or reliability. Exar Corporation conveys no license under any patent or other right and makes no representation that the circuits are free of patent infringement. While the information in this publication has been carefully checked, no responsibility, however, is assumed for inaccuracies.

Exar Corporation does not recommend the use of any of its products in life support applications where the failure or malfunction of the product can reasonably be expected to cause failure of the life support system or to significantly affect its safety or effectiveness. Products are not authorized for use in such applications unless Exar Corporation receives, in writing, assurances to its satisfaction that: (a) the risk of injury or damage has been minimized; (b) the user assumes all such risks; (c) potential liability of Exar Corporation is adequately protected under the circumstances.

Reproduction, in part or whole, without the prior written consent of Exar Corporation is prohibited. Exar, XR and the XR logo are registered trademarks of Exar Corporation. All other trademarks are the property of their respective owners.