

**MICRO SWITCH**

**SWITCH - ENCLOSED**

CATALOG LISTING  
**151ML2-E1**

FED. MFR CODE 91929

SKETCH 16755  
ISSUE 1

**M** 151ML2-E1

DRAWING NUMBER

ISSUE

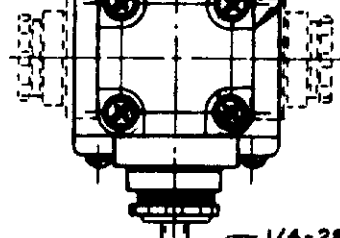
10

REVISIONS

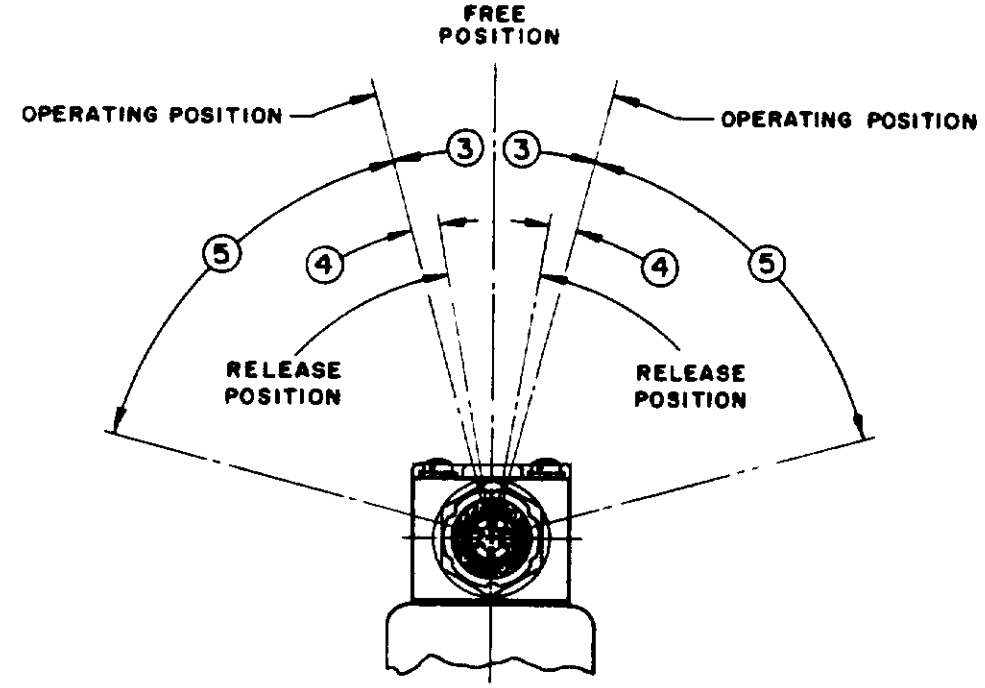
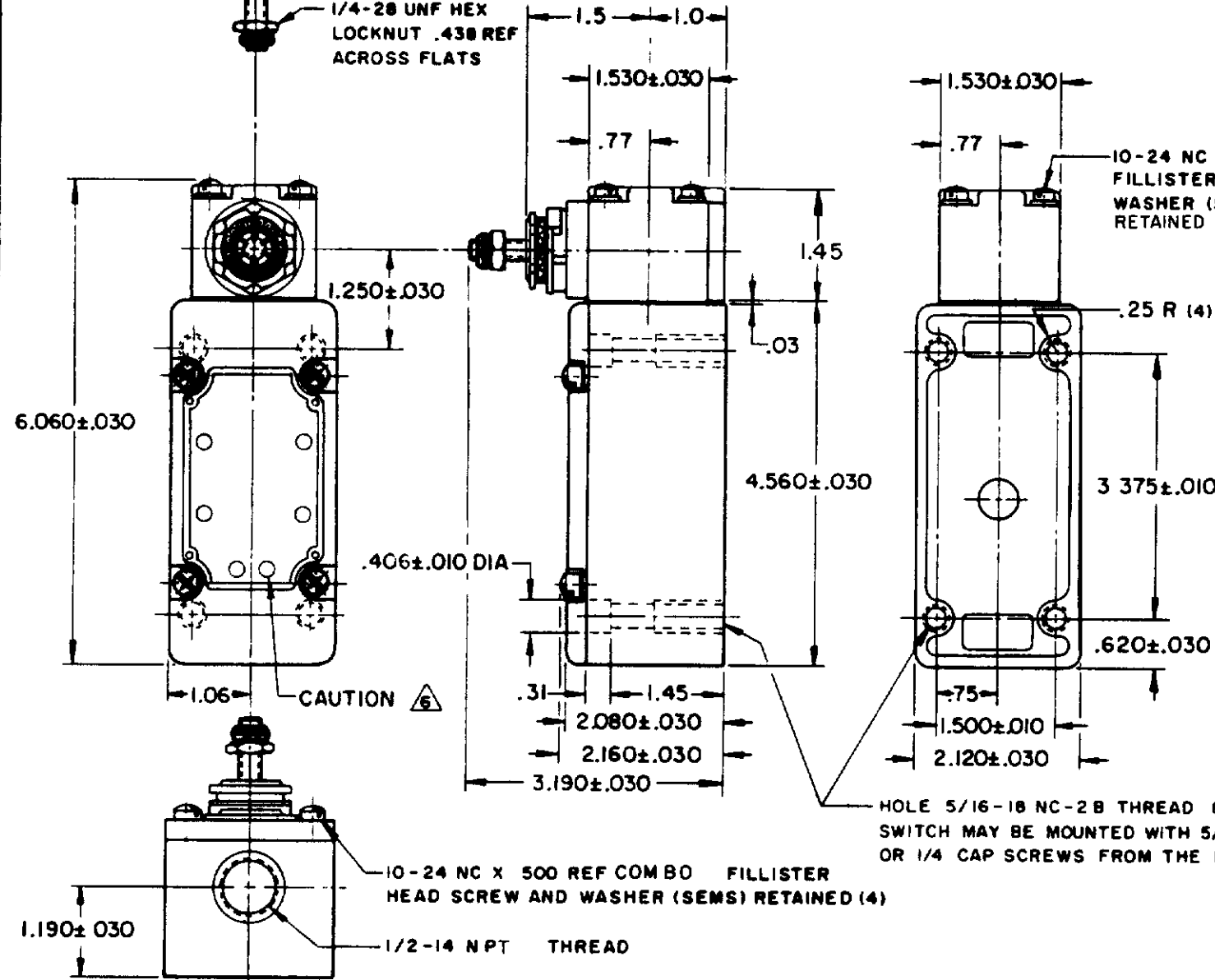
A	CO20863	W E G	26 NOV 65
B	CO22843	D W C	21 MAR 67
C	CO24575	N B S	10 SEP 68
D	CO27048	S R H	18 FEB 70
E	CO32194-D	T S K	26 SEPT 83
F	CO58367	J A S	12 NOV 85
G	CO5505-C	A D I	5 JAN 86
H	CO63739	D J S	15 JUN 88
J	CO74287	S J W	25 APR 93

FO-90378-003  
DRAWN  
O M W 5 DEC 60 CHECK

OPERATING HEAD MOUNTS IN ANY OF FOUR POSITIONS



1/4-28 UNF HEX LOCKNUT .438 REF ACROSS FLATS



- NOTES
- 1 - IS ESSENTIAL THAT THE CONDUIT OPENING BE SEALED IN ORDER TO MAINTAIN THE EXPLOSION PROOF PROPERTIES
  - 2 SWITCH IS ASSEMBLED FOR ACTUATION IN EITHER DIRECTION
  - 3 TO CONVERT SWITCH FOR ACTUATION IN EITHER CLOCKWISE OR COUNTER-CLOCKWISE DIRECTION ONLY, REMOVE THE HEAD AND SLIDE THE CAM TOWARD THE REAR OF THE HEAD SUFFICIENTLY TO DISENGAGE FROM THE FLATS ON THE SHAFT. ROTATE THE CAM 90° IN THE OPPOSITE DIRECTION OF THE ACTUATION DESIRED AND RE-ENGAGE THE CAM WITH THE FLATS ON THE SHAFT
  - 4 - SHAFT MAY BE ADJUSTED TO ACTUATE THE SWITCH IN THE CLOCKWISE DIRECTION ONLY, THE COUNTER-CLOCKWISE DIRECTION ONLY OR IN BOTH DIRECTIONS
  - 5 - IN ORDER TO MAINTAIN THE EXPLOSION PROOF PROPERTIES OF THIS UNIT DO NOT OBSTRUCT THE HOLES IN THE COVER PLATE
  - 6 - LISTED BY UNDERWRITERS LABORATORY INC. FOR USE IN CLASS I GROUPS C AND D VAPOR-AIR ATMOSPHERES, AND CLASS 2, GROUPS E, F AND G DUST-AIR ATMOSPHERES

THIS DRAWING COVERS A PROPRIETARY ITEM AND IS THE PROPERTY OF MICRO SWITCH, A DIVISION OF MINNEAPOLIS-HONEYWELL REGULATOR CO THIS DRAWING IS NOT TO BE COPIED OR USED WITHOUT THE APPROVAL OF MICRO SWITCH.

CHARACTERISTICS	ELECTRICAL DATA	SCALE 1/2 TO 1
OPERATING TORQUE --- 5 11/32 IN. LB MAX	CONTACT ARRANGEMENT	DO NOT SCALE PRINT
FULL OVERTRAVEL TORQUE --- 7 1/8 IN. LB MAX	TWO CIRCUIT, DOUBLE THROW	UNLESS OTHERWISE SPECIFIED
RELEASE TORQUE --- 7/16 IN. LB MIN	DOUBLE BREAK	DIMENSIONS ARE IN INCHES
PRETRAVEL --- ③ 15° MAX	10A-120, 240, 480, OR 600 VAC	<b>TOLERANCES ARE:</b>
DIFFERENTIAL TRAVEL --- ④ 7° MAX	1/2 HP-120 VAC, 1 HP-240 VAC	ONE PLACE (0) 1.030
OVERTRAVEL --- ⑤ 60° MIN	0.8 A-115 VDC, 0.4 A-230 VDC	TWO PLACE (0.00) 1.018
SWITCH-BASIC REPLACEMENT --- 1MNI	PILOT DUTY 720VA-HEAVY DUTY	THREE PLACE (0.000) 1.008
	600 VAC MAX	ANGLES ±
		WEIGHT