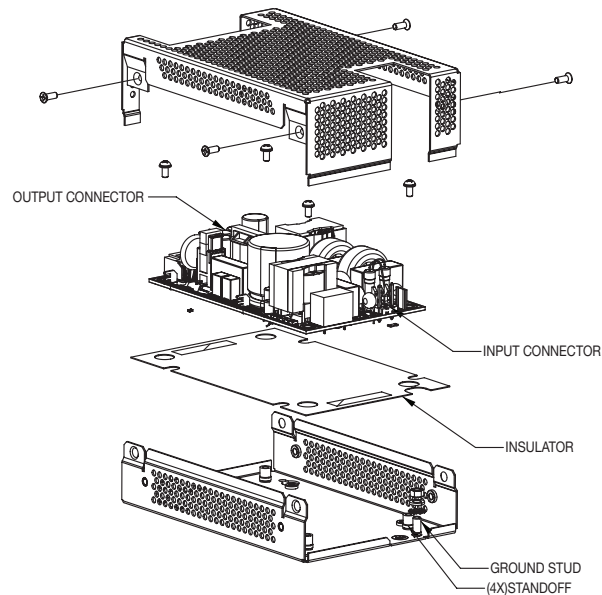


LPX200 Enclosure

Installation Notes LPX200 • Cover Enclosure Kit
 LPX200 will fit the LPX20X-M and LPS36X-M power supplies.

MATERIALS

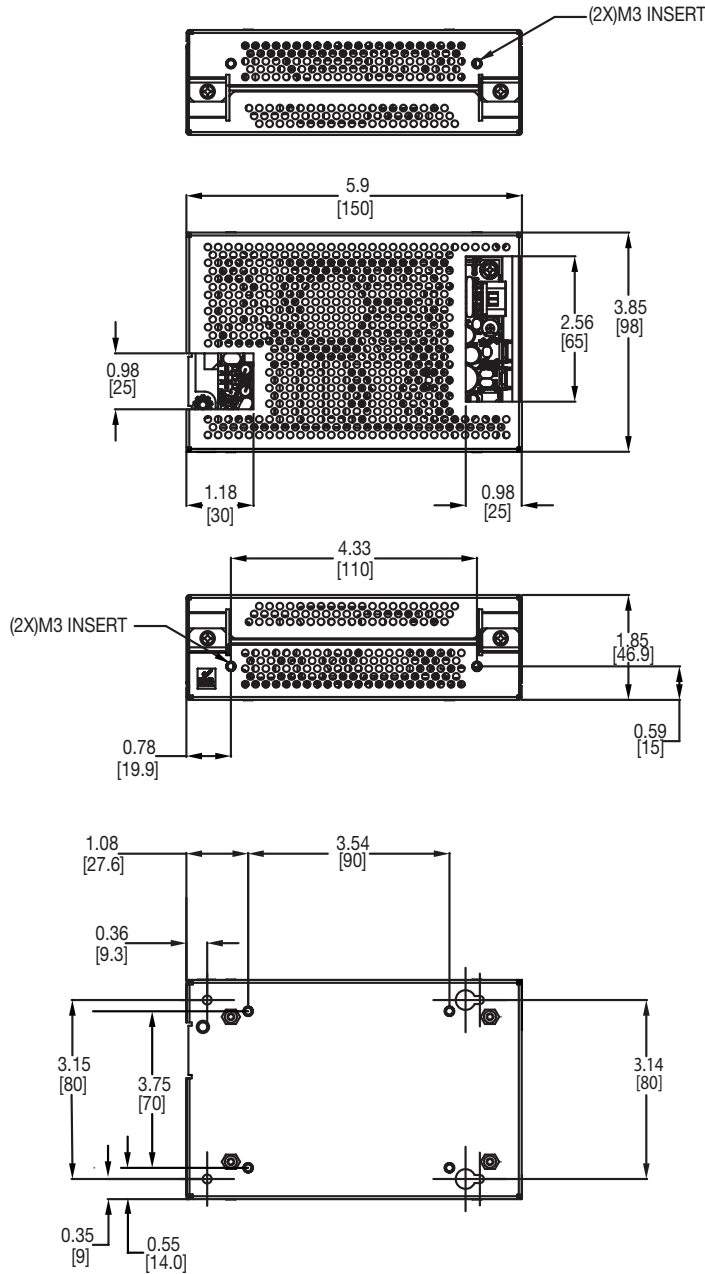
- 1 Base
- 1 Cover
- 4 M3x6mm Pan head screws with spring washer
- 4 M3x6mm countersunk screws
- 1 M4 nut
- 1 M4 star washer
- 1 M4 spring washer
- 1 Plastic insulator sheet



Installation Instructions and Notes

1	Place the insulator over the chassis as shown.
2	Place the power supply over the insulator as shown.
3	Align the power supply to the chassis standoff.
4	Secure 4 pan head screws with washer provided with in kit as shown.
5	Place the cover over the power supply as shown.
6	Align the cover to the U-bracket countersink holes.
7	Secure 4 countersink screws provided with in kit as shown.
8	Overall dimensions: 5.9" (150mm) x 3.85" (98mm) x 1.85" (46.9mm).
9	Base plate has three sets of customer mountings: <ol style="list-style-type: none"> a. Bottom mounting (4X) M3 inserts. Max. screw penetration 0.0787 (2mm) plus 2 key ways. (See keyway detail) b. Side mounting (4X) M3 inserts. Max. screw penetration 0.236 (6mm)
10	Ensure insulator is correctly fitted in base under PCB to maintain safety creepage and clearances.
11	Ensure base is firmly connected to supply earth via the earth stud marked
12	When using this enclosure, ensure that relevant safety standards (e.g. EN60950) are complied with, in respect to creepage and clearance distances, and distances through insulation.
13	All dimensions are in inches (mm)

Mechanical Drawing



WORLDWIDE OFFICES

Americas

2900 South Diablo Way
Suite B100
Tempe, AZ 85282, USA
+1 888 412 7832

Europe (UK)

Ground Floor Offices, Barberry House
4 Harbour Buildings, Waterfront West
Brierley Hill, West Midlands
DY5 1LN, UK
+44 (0) 1384 842 211

Asia (HK)

14/F, Lu Plaza
2 Wing Yip Street
Kwun Tong, Kowloon
Hong Kong
+852 2176 3333

ARTESYN™
An Advanced Energy Company

www.artesyn.com

Artesyn Embedded Technologies, Artesyn Embedded Power, Artesyn, and all Artesyn related logos are trademarks and service marks of Artesyn Embedded Technologies, Inc. All other names and logos referred to are trade names, trademarks, or registered trademarks of their respective owners. Specifications are subject to change without notice. © 2019 Artesyn Embedded Technologies, Inc. All rights reserved. For full legal terms and conditions, please visit www.artesyn.com/legal.

For more information: www.artesyn.com
For support: productsupport.ep@artesyn.com

LPX200 Rev. 20Dec2019