



16GHz Surface Mount Highpass Filter

H160XHXS



DLI • Novacap • Syfer • Voltronics

www.dilabs.com

www.knowlescapacitors.com

DESCRIPTION

DLI's 16GHz highpass filter offers unmatched size and performance in a surface mount configuration. This filter utilizes DLI's low loss temperature stable materials which offer small size and minimal performance variation over temperature.

FEATURES

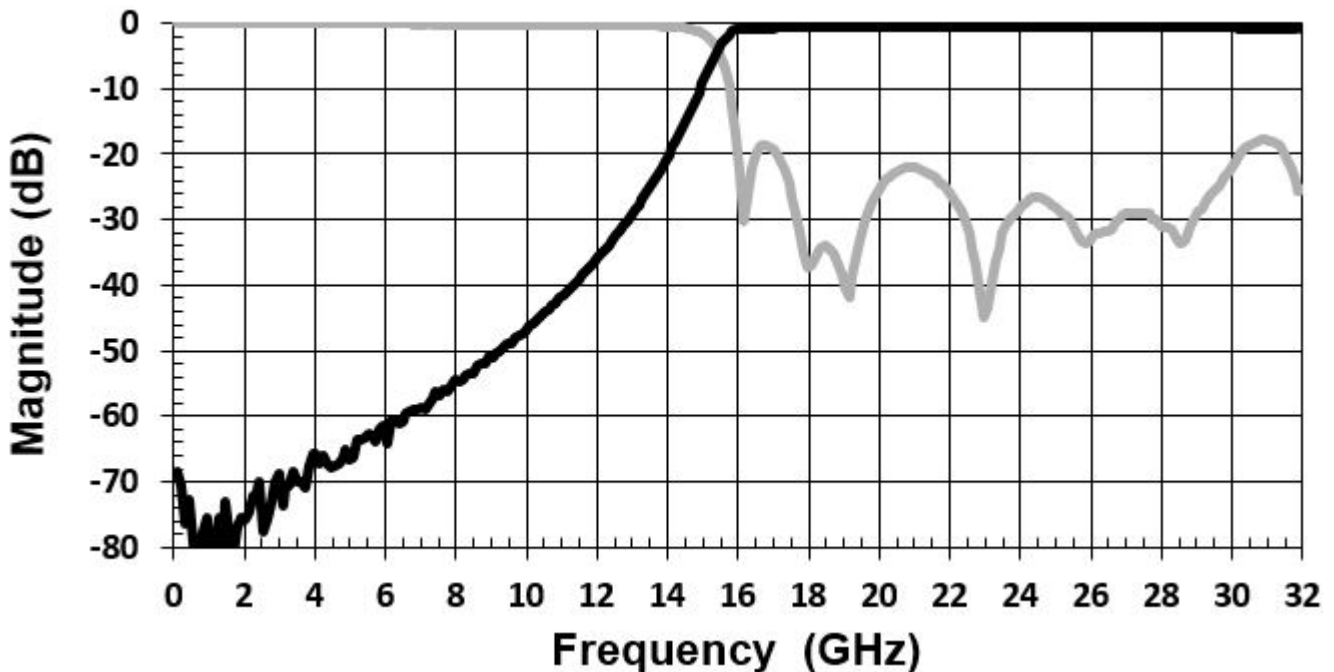
- Small Size
- Frequency Stable over Temperature
- Solder Surface Mount Package
- Excellent Repeatability
- Operating Temp: -55°C to +125°C
- Characteristic Impedance: 50Ω

SPECIFICATIONS*

Parameter	Frequency Range	Min	Typ.	Max
3dB Cutoff (GHz)	-		16	
Insertion Loss (dB)	16.5 - 32GHz		0.75	2.5
Return Loss (dB)			18	12
Low Side Rejection (dB)	DC - 12.1GHz	30		
Input Power (W)	-			TBD

*Electrical specifications based on typical mounted performance at room temperature. Insertion loss shall vary ±0.5dB over temperature.

Typical Measured Performance





16GHz Surface Mount Highpass Filter

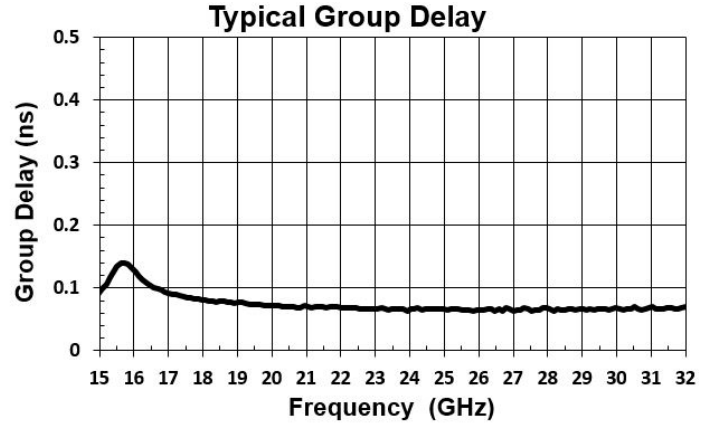
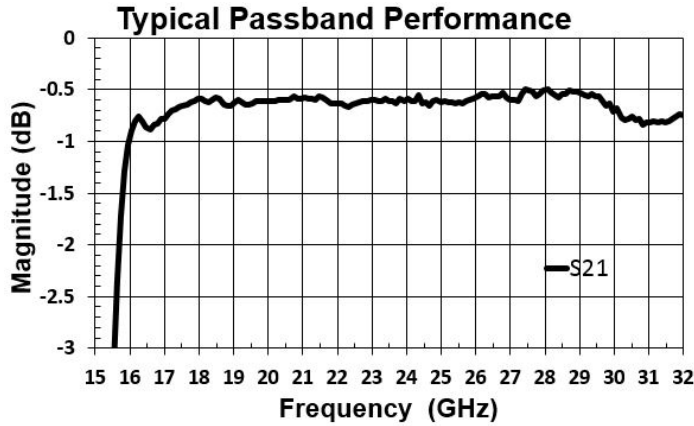
H160XHXS



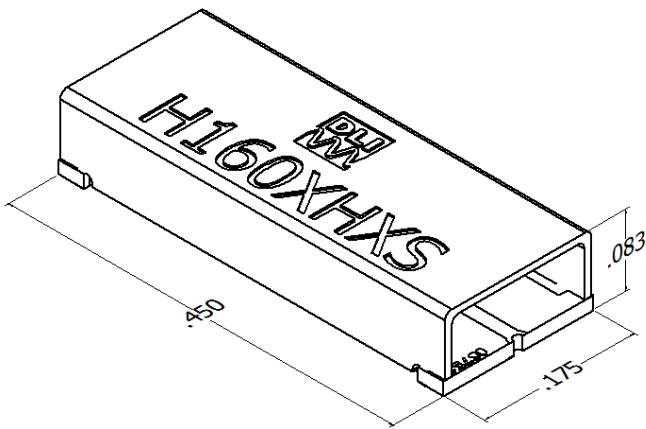
DLI • Novacap • Syfer • Voltronics

www.dilabs.com

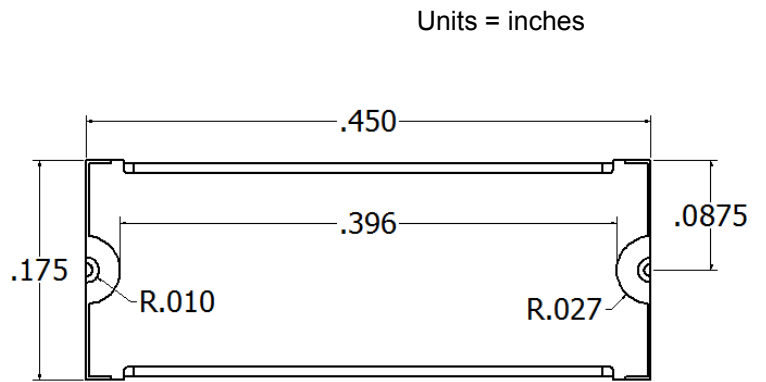
www.knowlesc capacitors.com



Physical Dimensions

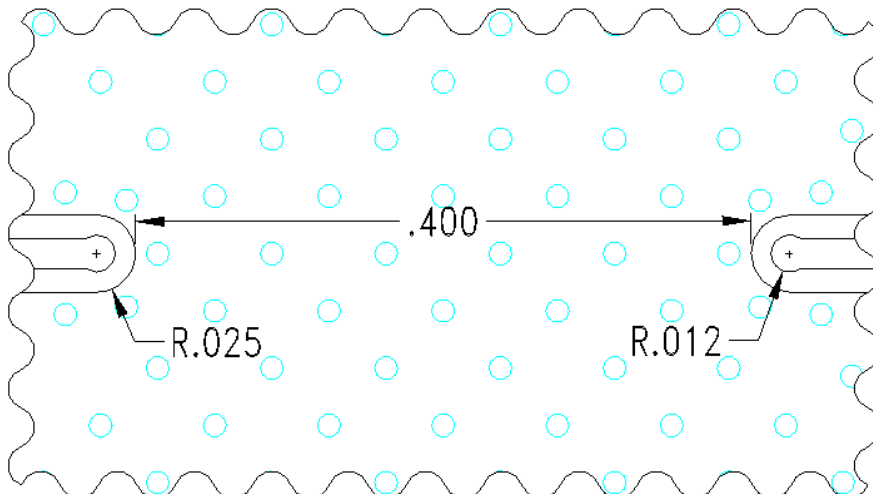


Isometric View



Bottom View

Recommended PCB Layout



- 50Ω trace dimensions are application specific.
- Ensure adequate grounding beneath the part.



2777 Route 20 East, Cazenovia, NY 13035 | Ph.: (315)655-8710 | KCCSales@knowles.com