

PART NAME

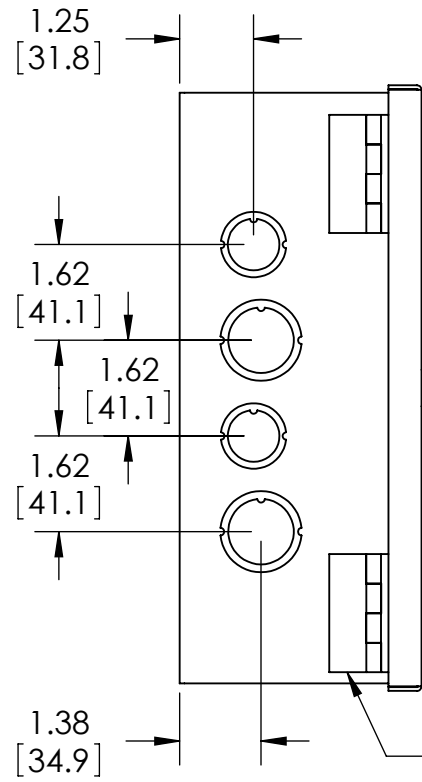
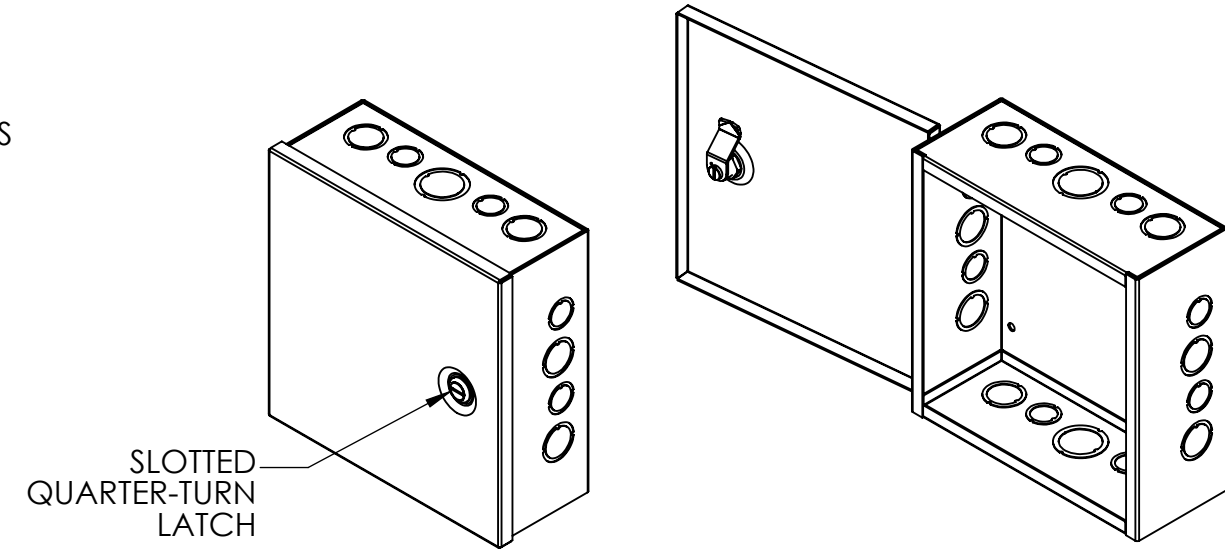
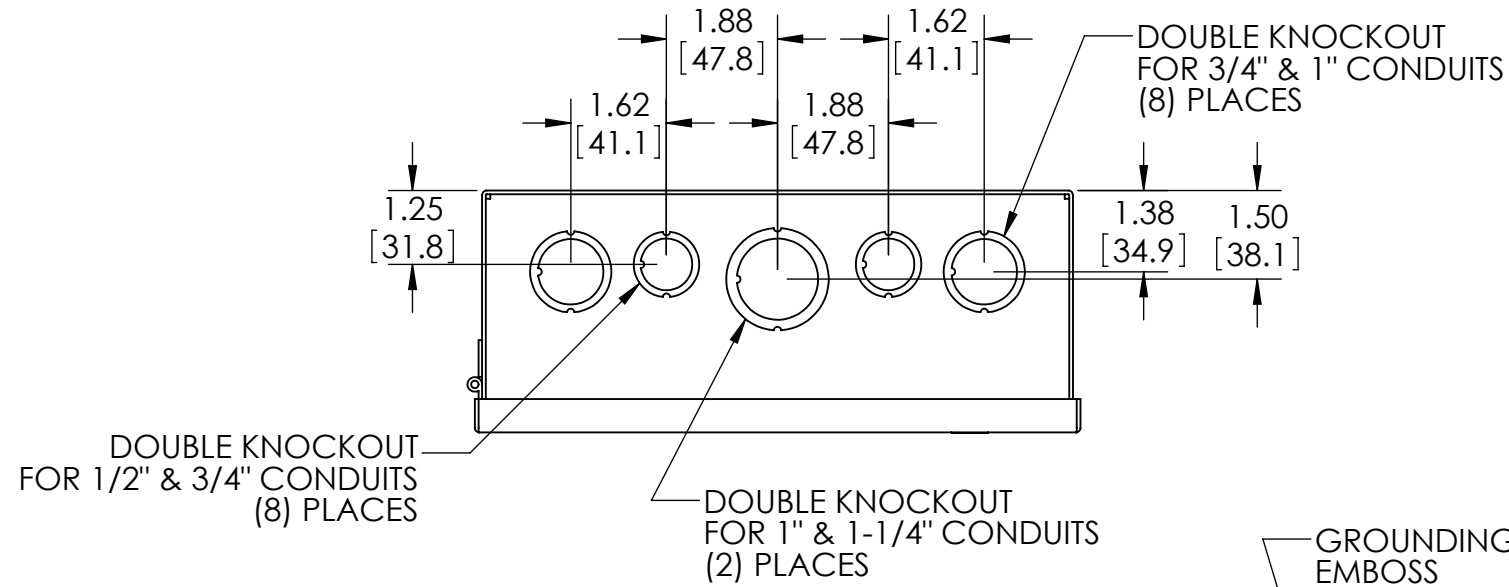
JUNCTION BOX w/ HINGED COVER & KNOCKOUTS

PART No.

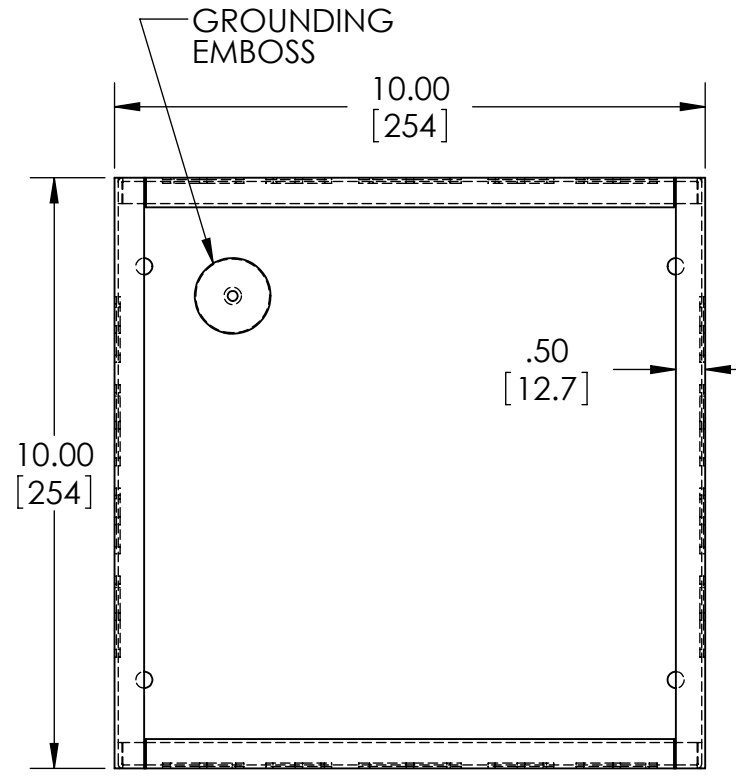
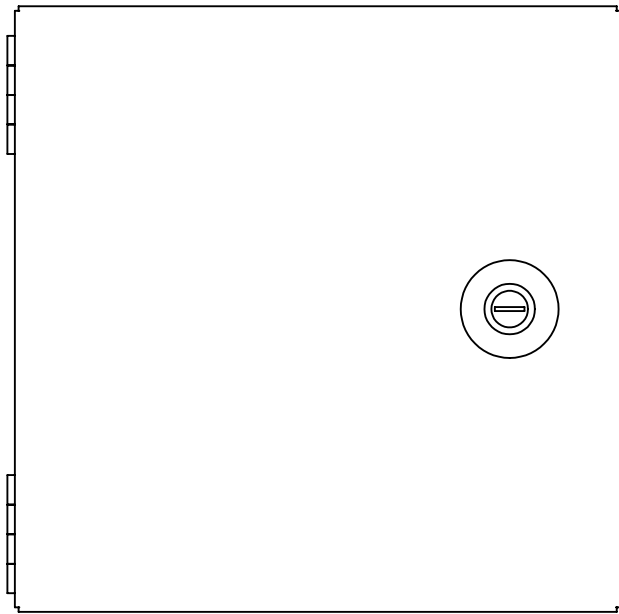
JBH-4960-KO

REVISION DATE

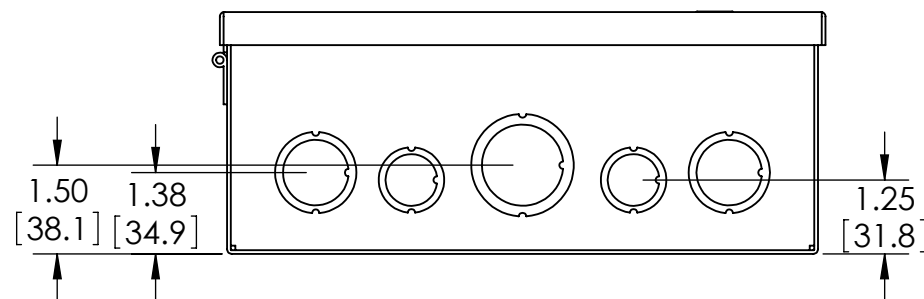
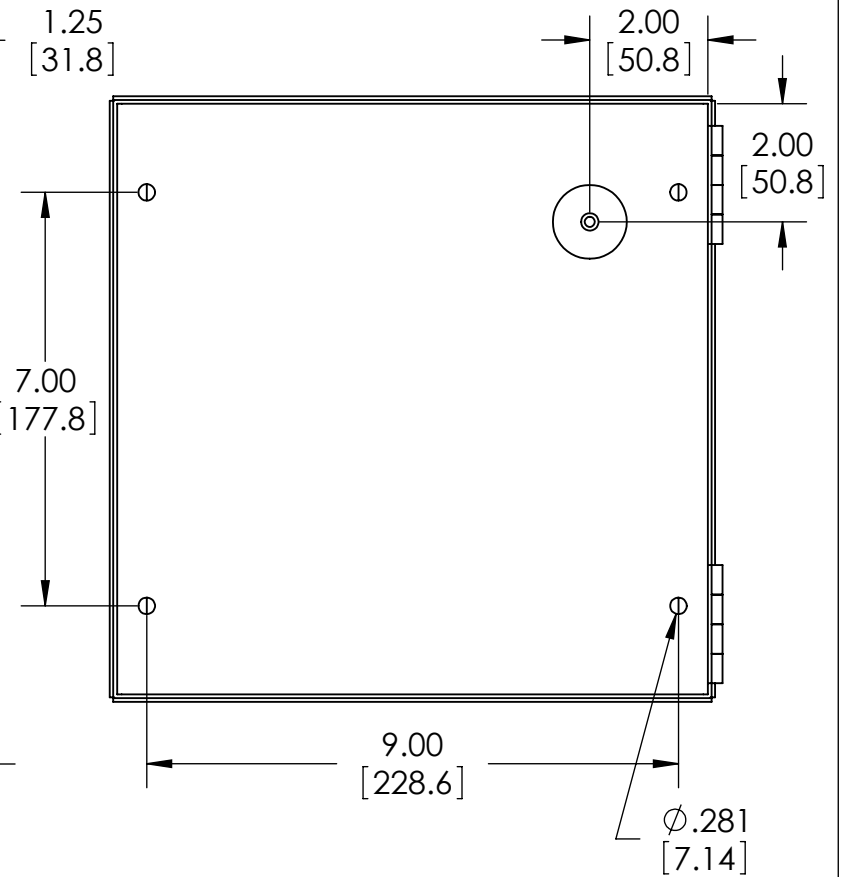
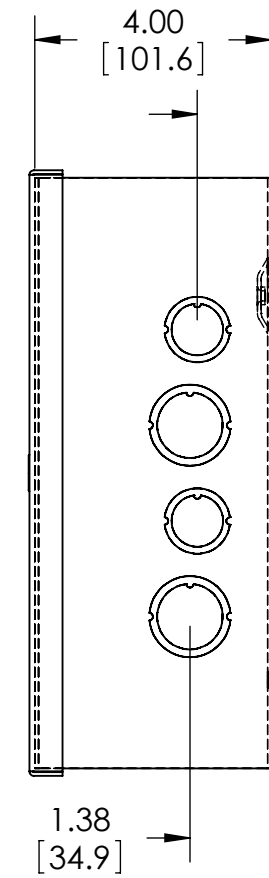
7-18-11



HINGES ARE WELDED TO BODY & COVER



COVER NOT SHOWN THIS VIEW



MATERIAL - 16 GA. [1.5mm] STEEL

FINISH - SMOOTH GRAY POWDERCOAT

INCLUDES ONE (1) #10-32 x .31"[8mm] LG. MACHINE, PAN HEAD, SLOTTED/SQUARE COMBINATION STYLE DRIVE, STEEL, ZINC PLATED SCREW FOR GROUND POINT.