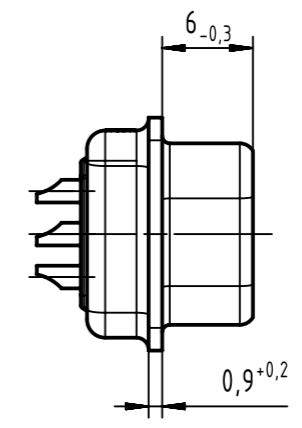
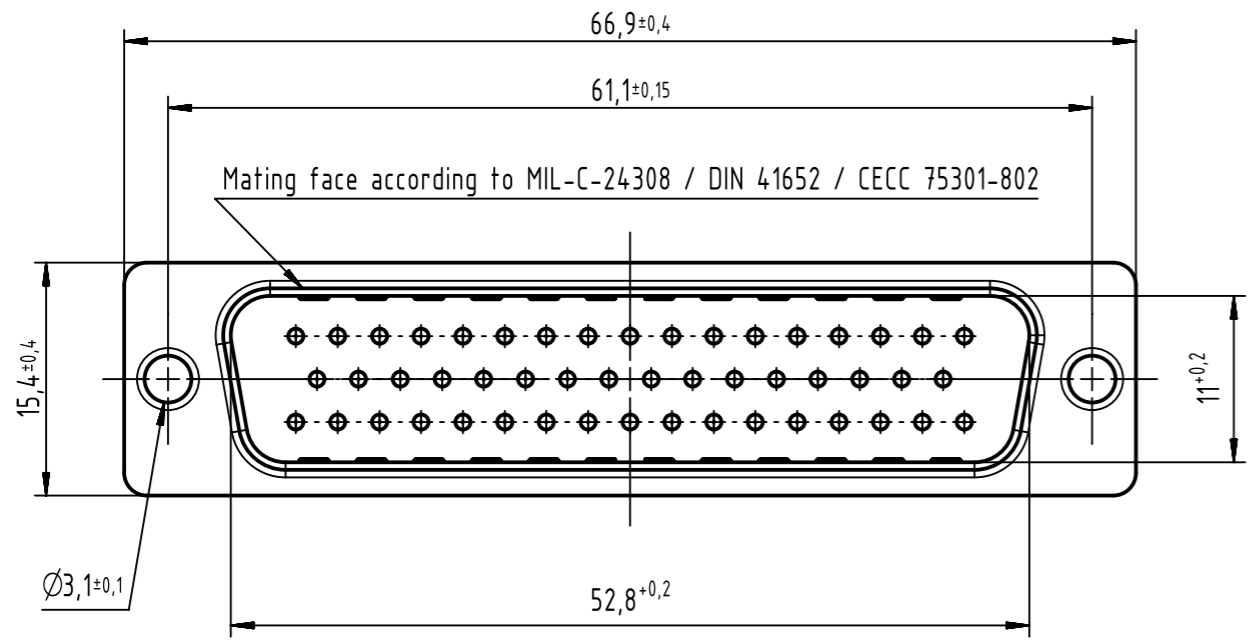


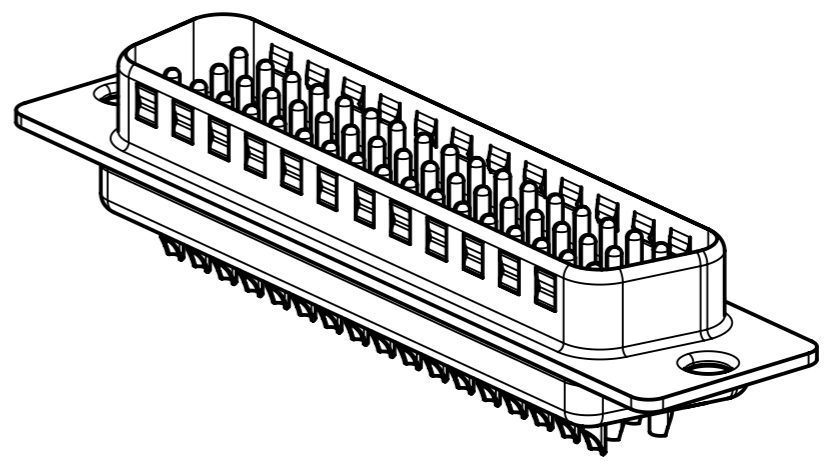
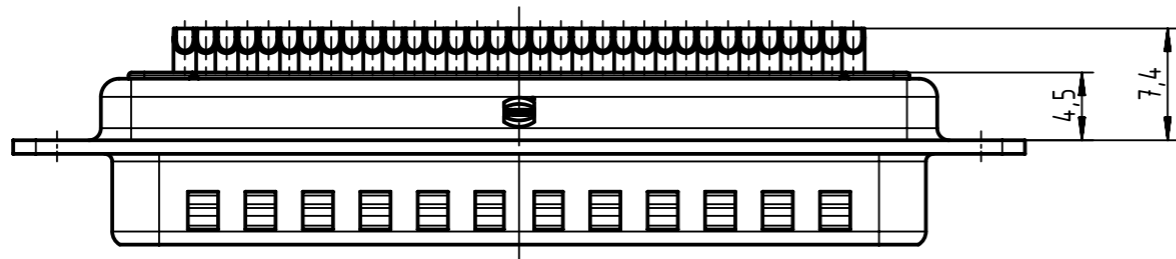
1 2 3 4 5 6 7 8

A



B

C



D

E

0967 050 5615 050	S4
0967 050 5604	PL3
0967 050 5615	PL2
Part number	Performance level

	All rights reserved Department EL PD	All Dimensions in mm Original Size DIN A3		Scale 2:1	Free size tol.	Ref. Sub.
		Created by ZHUANGJ	Inspected by LUOK	Standardisation HOFFMANN	Date 2018-05-02	State Final Release
HARTING Electronics GmbH D-32339 Espelkamp		Title D-Sub male 50-pole straight solder buckets			Doc-Key / ECM-Nr. 100775716/UGD/000/A 500000132564	
		Type TB	Number 096705056XX		Rev. A	Page 1/1

F

1 2 3 4 5 6 7 8