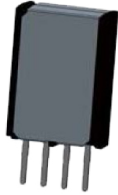


**Part Number: 3570 1517**  
**Instrumentation Grade Ultra Mini SIP - 1 Form A**  
**Product Data Sheet**

**PICTURE**



**FEATURES**

- High Reliability Instrumentation Grade reed switch with sputtered Ruthenium contacts.
- 75% smaller PCB footprint than a full size SIP.
- 1 Amp carry current, 10 Watts, 170 VDC switching voltage.
- High Insulation Resistance:  $10^{12} \Omega$  MIN.
- Molded thermoset package.
- Standard external magnetic shield.
- Optional internal coil suppression diode.

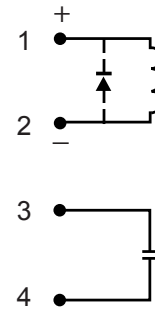
**✓RoHS Compliant**

**ORDERING INFORMATION**

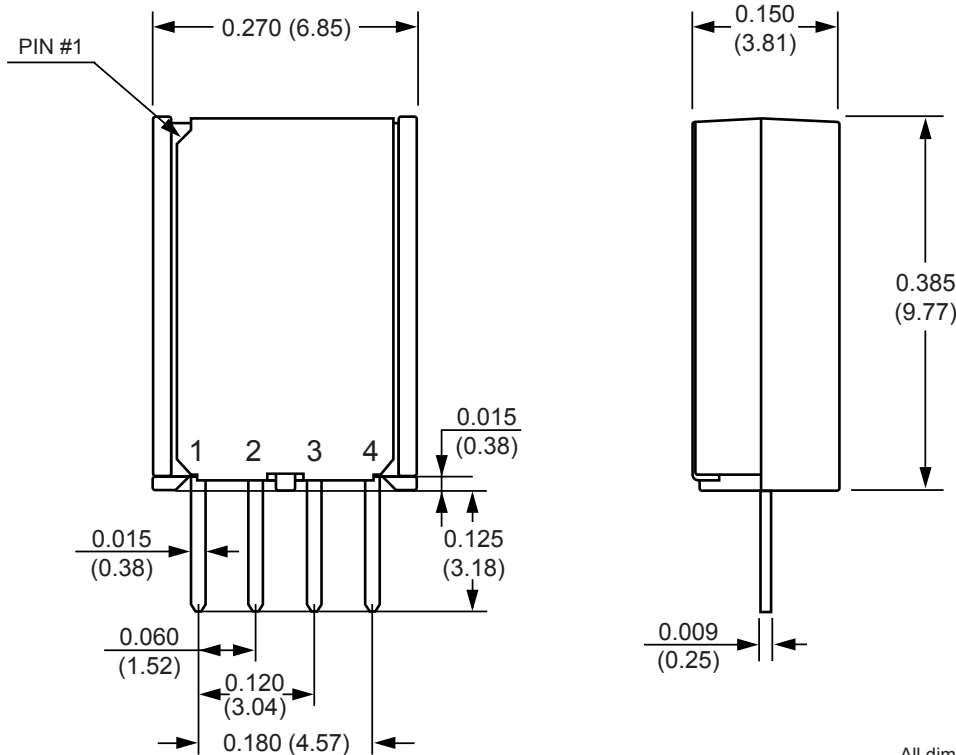
| Series     | Coil | Options                                                                |
|------------|------|------------------------------------------------------------------------|
| 3570.1517. | 05   | 1 = no diode<br>3 = with diode<br>(pin 1 = positive, pin 2 = negative) |

**Part Number Example:** 3570.1517.xxx  
 3570.1517.051 = 5 volt coil, no diode

**CIRCUIT DIAGRAM (Top View)**



**DIMENSIONS**



Drawings not to scale.  
 All dimensions in inches (mm) nominal.

As part of the company policy of continued product improvement, specifications may change without notice. Our sales office will be pleased to help you with the latest information on this product range and the details of our full design and manufacturing service. All products are supplied to our standard conditions of sale unless otherwise agreed in writing.

**Phone: (1) 973 777 6900**

**www.comus-intl.com**

**Fax: (1) 973 777 8405**

Belgium: + 32 (0)12 390400 - Comus Europe Ltd (Assemtech) UK: +44 (0) 1255 862236 - Germany: +49 (0)911 923 15 943 - Netherlands: +31(0)45 54 39 345 - India: +(91) (44) 42023510  
 ©2016 Copyright Comus International, 454 Allwood Road, Clifton NJ 07012, USA

**Part Number: 3570 1517**  
**Instrumentation Grade Ultra Mini SIP - 1 Form A**  
**Product Data Sheet**

**COIL DATA-STANDARD TYPE 1 FORM A (at 20°C)**

| NOMINAL COIL VOLTAGE (VDC) | NOMINAL COIL RESISTANCE ±10% (Ω) | MAX OPERATE VOLTAGE (VDC) | MIN RELEASE VOLTAGE (VDC) | MAX COIL VOLTAGE (VDC) |
|----------------------------|----------------------------------|---------------------------|---------------------------|------------------------|
| 5                          | 400                              | 3.75                      | 0.4                       | 6                      |

**CONTACT RATING**

|                       |         |
|-----------------------|---------|
| Max Switching Power   | 10 W    |
| Max Switching Voltage | 170 VDC |
| Max Switching Current | 0.5 A   |
| Max Carry Current     | 1.0 A   |

**SPECIFICATIONS**

|                                                  |                                                                                    |
|--------------------------------------------------|------------------------------------------------------------------------------------|
| Contact Resistance (Initial)                     | MAX 200 mΩ                                                                         |
| Operate Time - including bounce (Typical)        | 0.2 ms (At Nominal Voltage)                                                        |
| Release Time (Typical)                           | 0.1 ms                                                                             |
| Insulation Resistance @ 100V, 20°C, 40% RH (MIN) | 10 <sup>12</sup> Ω                                                                 |
| Dielectric Strength (MIN)                        | Between Open Contacts 200 VDC/peak AC<br>Between Coil to Contacts 1500 VDC/peak AC |
| Capacitance Between Open Contacts (Typical)      | 0.7 pF                                                                             |
| Vibration                                        | 20G                                                                                |
| Shock                                            | 50G                                                                                |
| Operating Temperature                            | -40° +85°C                                                                         |
| Storage Temperature                              | -40° +100°C                                                                        |
| Life Expectancy at Specified Load (Typical)      | 1000 x 10 <sup>6</sup> ops (1 VDC, 10mA)                                           |

As part of the company policy of continued product improvement, specifications may change without notice. Our sales office will be pleased to help you with the latest information on this product range and the details of our full design and manufacturing service. All products are supplied to our standard conditions of sale unless otherwise agreed in writing.

**Phone: (1) 973 777 6900**

**www.comus-intl.com**

**Fax: (1) 973 777 8405**

Belgium: + 32 (0)12 390400 - Comus Europe Ltd (Assemtch) UK: +44 (0) 1255 862236 - Germany: +49 (0)911 923 15 943 - Netherlands: +31(0)45 54 39 345 - India: +(91) (44) 42023510

©2016 Copyright Comus International, 454 Allwood Road, Clifton NJ 07012, USA