



PART NAME

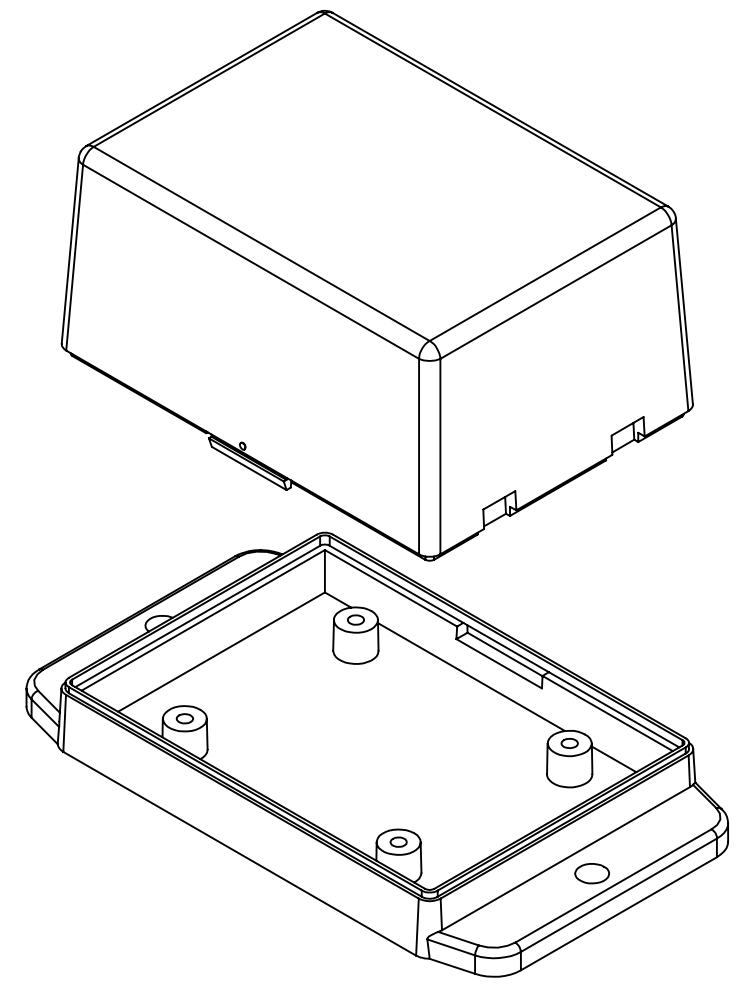
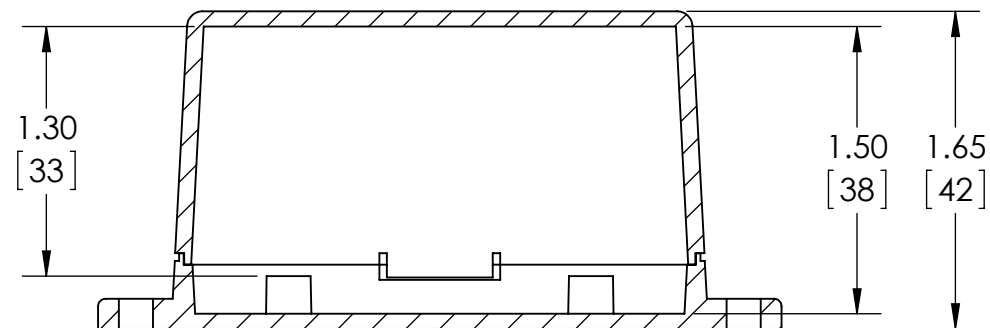
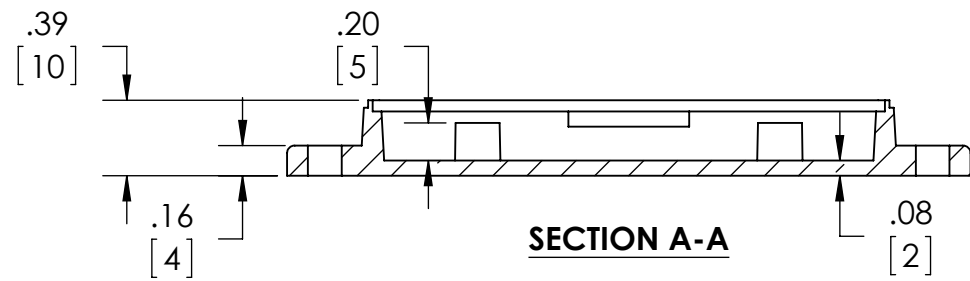
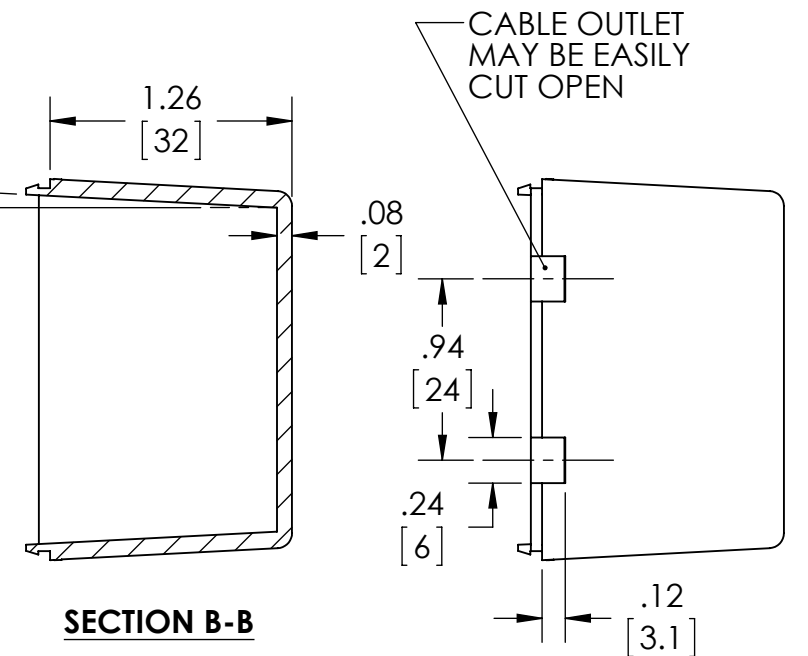
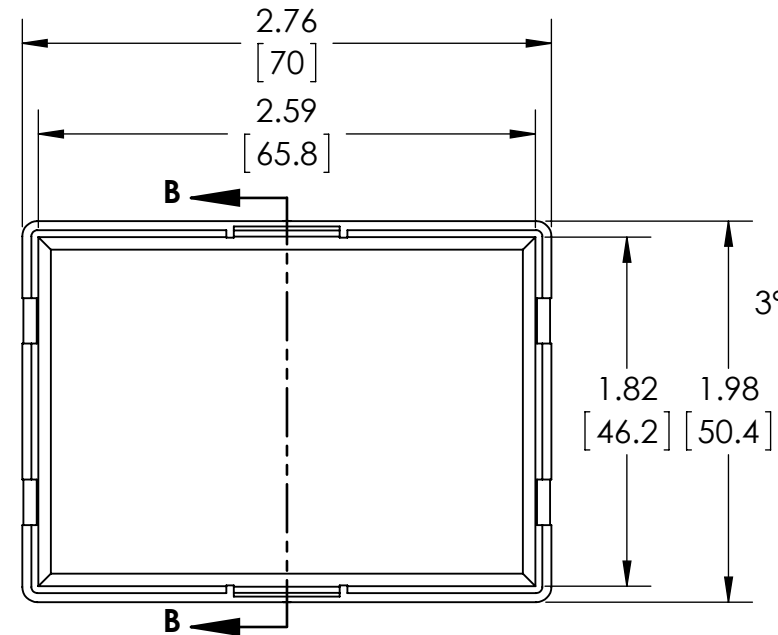
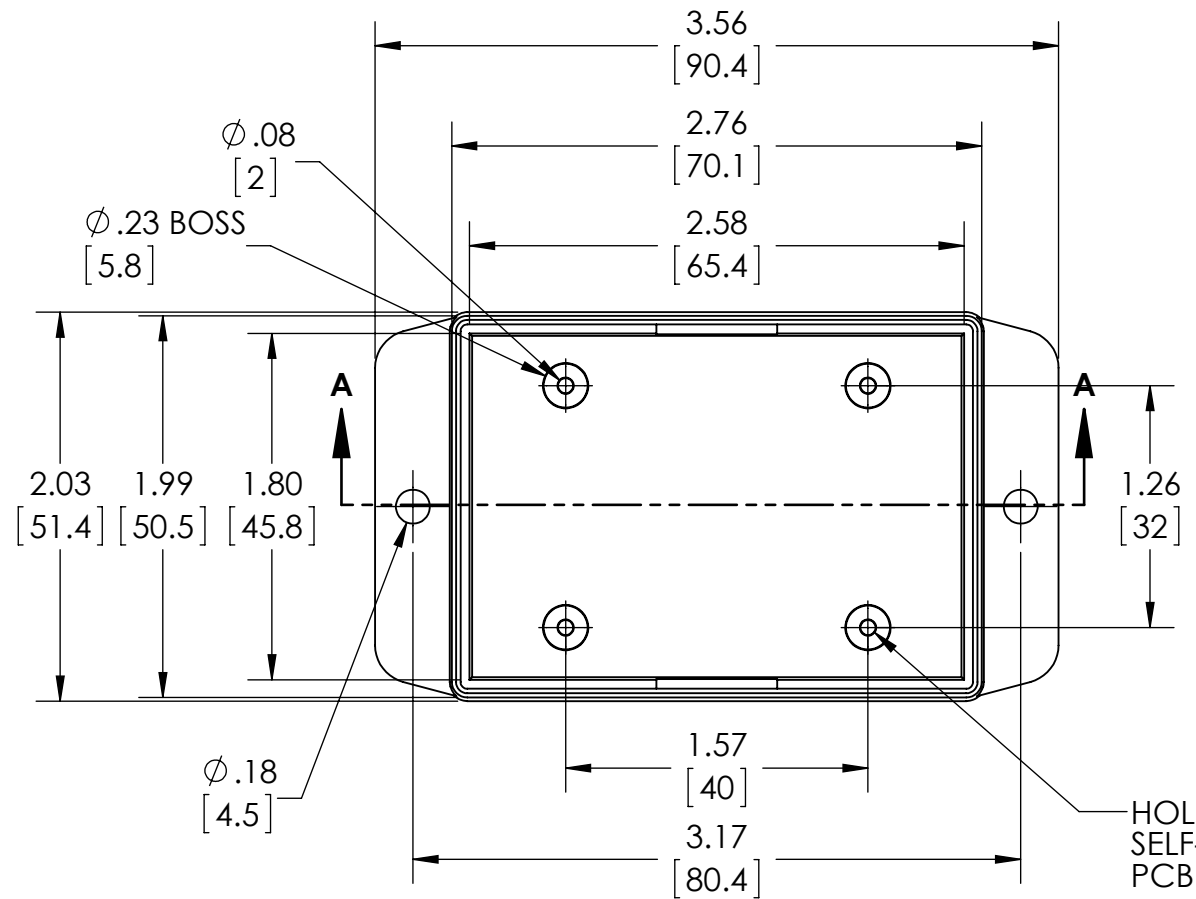
SNAP UTILITY BOX

PART No.

CU-18425-B CU-18425-W

REVISION DATE

10-7-14



MATERIAL:
ABS UL94-HB

COLOR:
BLACK OR WHITE

DIMENSIONS IN INCH[MM]

DRAWING FOR REFERENCE