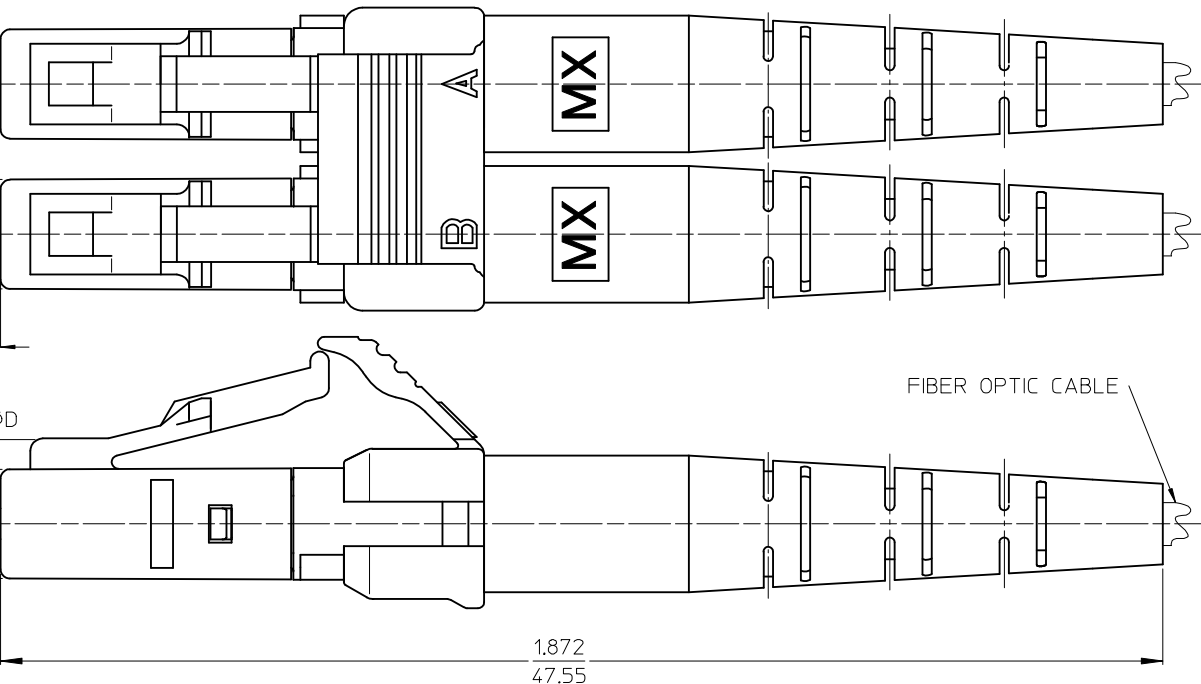
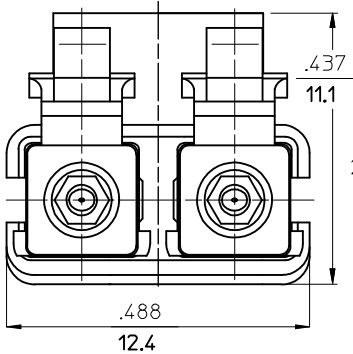


10	9	8	7
CONNECTOR P/N	∅D (4m)	CONNECTOR BODY AND BOOT COLOR	CABLE DESCRIPTION AND ∅ (mm)
106090-2810	125.5	GREEN	SIMPLEX 2.0
106090-6300	125.25		ZIPCORD 1.6
106090-2830	125.5		SIMPLEX 1.6
106090-6330	125.25		



(DUST CAPS NOT SHOWN)



ENTER DESCRIPTION EC NO: MF2006-0159 DRAWN: PGIBLIN 2005/10/14 CHKD: 2005/10/14 APPR: LGUMIN 2005/10/24 A	QUALITY SYMBOLS 	GENERAL TOLERANCES (UNLESS SPECIFIED)		DIMENSION STYLE IN/MM	SCALE 8:1	DESIGN UNITS INCH	THIRD ANGLE PROJECTION		
		4 PLACES ± --- ± --- 3 PLACES ± --- ± --- 2 PLACES ± --- ± --- 1 PLACE ± --- ± ---	mm INCH ± --- ± --- ± --- ± --- ± --- ± --- ± --- ± ---	DRAWN BY PGIBLIN DATE 2005/09/29	CHECKED BY DATE	TITLE LC APC DUPLEX CONNECTOR			
		ANGULAR ±1/2°		APPROVED BY DATE	MOLEX INCORPORATED				
		DRAFT WHERE APPLICABLE MUST REMAIN WITHIN DIMENSIONS		MATERIAL NO. SEE TABLE	DOCUMENT NO. SD-106090-MMM0	SHEET NO. 1 OF 01			