



c

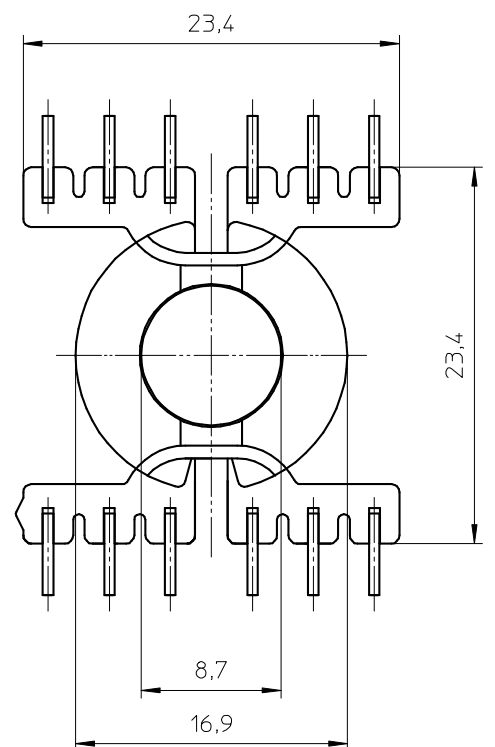
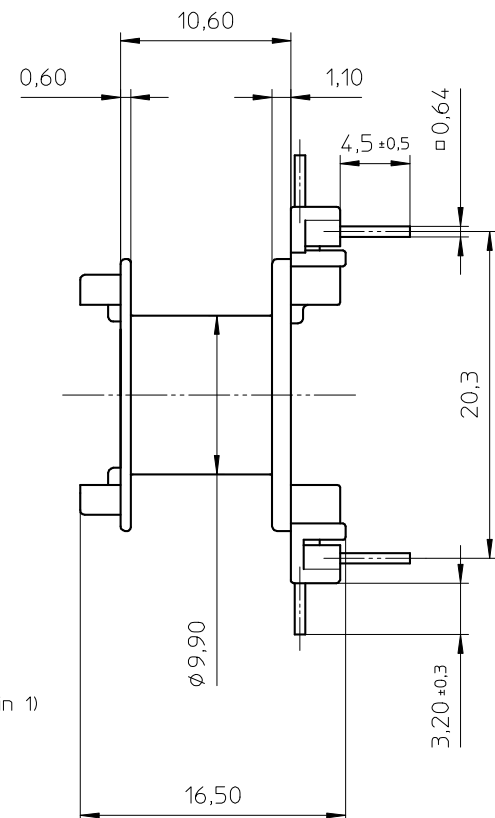
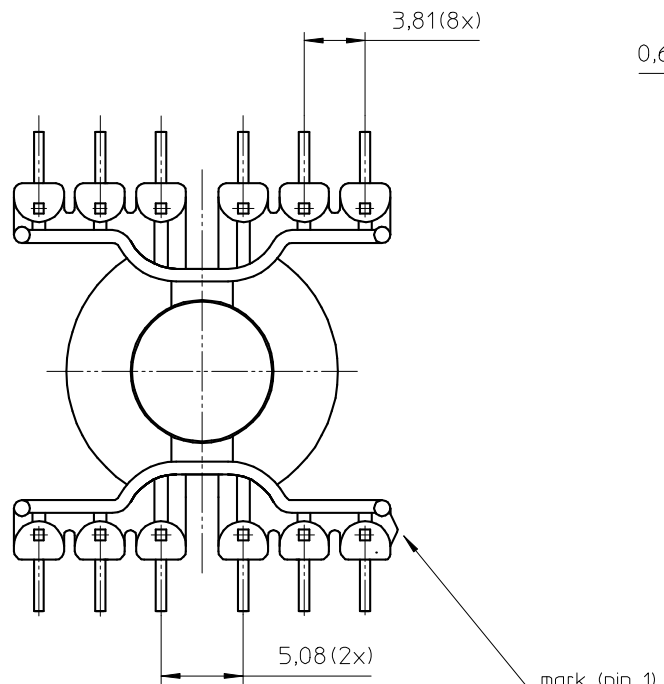


d

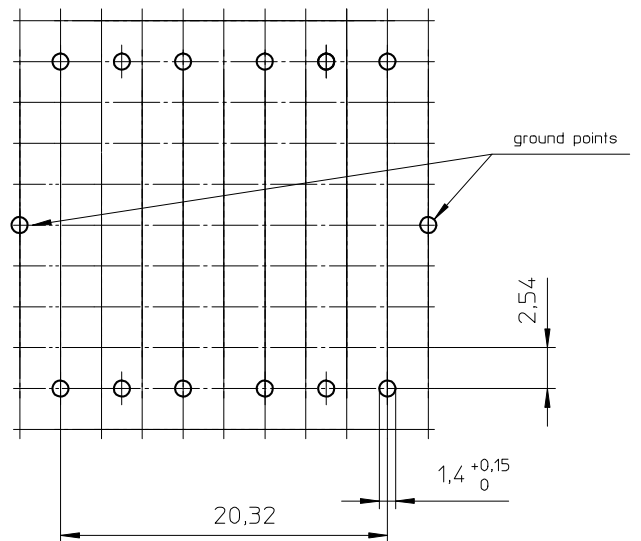


e

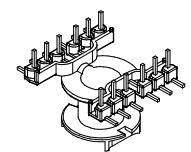
f



PROPOSED
HOLE PATTERN :



Coil former material: Rynite FR 530 (PET), glass-reinforced.
 UL file number: E41938 - UL94V-0.
 Pin material: Copper-plated steel wire - Sn plated.
 Max. operating temp.: acc. to IEC 60 085 class F, 155°C.
 Resistance to soldering heat: acc. to IEC 60 068-2-20 Part 2, Test Tb, method 1B, 350°C-3.5s
 Solderability: acc. to IEC 60 068-2-20 Part 2, Test Ta, method 1, 235°C-2s
 Min. winding area: 31 mm².
 Mean length of turn: 42 mm.



CLASSNO.	CPV-RM8/I-1S-12PD-TZ		4322 021 06651		2007-01-30
NAME NAAM	A. Woitasz	SUPERS. VERV.	001	SP/SH BL/BL	112 - 001
MPA	CHECK CONTR.	DAT.	2007-01-30	Property of Eigenaam van	010
					A3
© FERROXCUBE 2000					