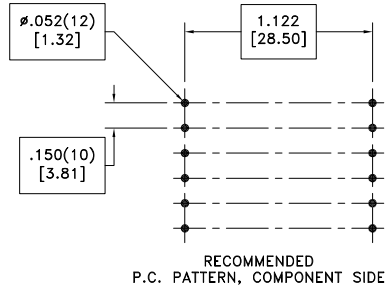
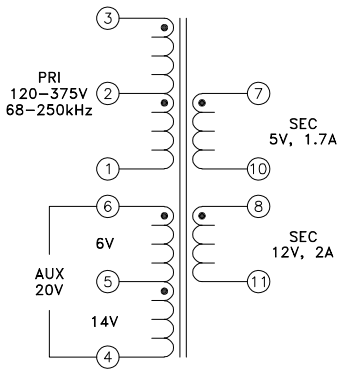
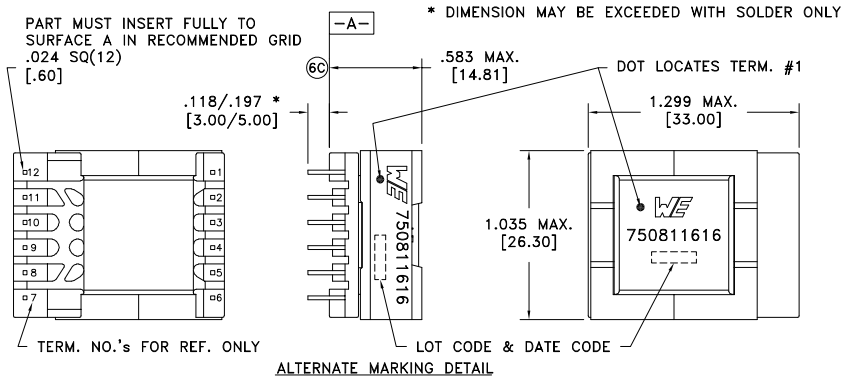


CUSTOMER TERMINAL	RoHS	LEAD(Pb)-FREE
Sn96%, Ag4%	Yes	Yes



ELECTRICAL SPECIFICATIONS @ 25°C unless otherwise noted:

PARAMETER	TEST CONDITIONS	VALUE
D.C. RESISTANCE	3-1 @20°C	0.746 ohms ±10%
D.C. RESISTANCE	6-5 @20°C	0.180 ohms ±10%
D.C. RESISTANCE	5-4 @20°C	0.368 ohms ±10%
D.C. RESISTANCE	7-10 @20°C	0.013 ohms max.
D.C. RESISTANCE	8-11 @20°C	0.021 ohms ±20%
INDUCTANCE	1-3 10kHz, 100mVAC, Ls	468uH ±10%
SATURATION CURRENT	20% rolloff from initial	2.5A
LEAKAGE INDUCTANCE	1-3 tie(4+5+6, 7+8+10+11), 100kHz, 100mVAC, Ls	6.42uH typ., 9.63uH max.
DIELECTRIC	1-11 tie(3+4, 8+10), 4500VAC, 1 second	4500VAC, 1 minute
DIELECTRIC	1-5 625VAC, 1 second	500VAC, 1 minute
TURNS RATIO	(3-2):(2-1)	1:1, ±1%
TURNS RATIO	(3-1):(6-5)	15:1, ±2%
TURNS RATIO	(3-1):(5-4)	7.5:1, ±1%
TURNS RATIO	(3-1):(7-10)	20:1, ±2%
TURNS RATIO	(3-1):(8-11)	8.57:1, ±1%

GENERAL SPECIFICATIONS:

OPERATING TEMPERATURE RANGE: -40°C to +125°C including temp rise.

Designed to comply with the following requirements as defined by IEC61558-2-16:
- Reinforced insulation for a primary circuit at a working voltage of 400VDC.

Wire insulation & RoHS status not affected by wire color.
Wire insulation color may vary depending on availability.

REV.	DATE	Packaging Specifications Method: Tray PKG-0924 www.we-online.com/midcom		Tolerances unless otherwise specified: Angles: ±1° Fractions: ±1/64 Decimals: ±.005 [.13] Footprint: ±.001 [.03]	DRAWING TITLE TRANSFORMER	PART NO. 750811616
6C	7/19					
6B	6/19					
6A	10/13	SEE REVISION SHEET FOR REVISION LEVEL		This drawing is dual dimensioned. Dimensions in brackets are in millimeters.	eiSos p/n: 750811616	SPECIFICATION SHEET 1 OF 1

