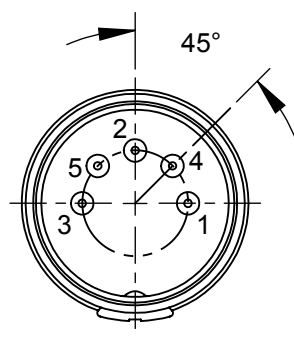
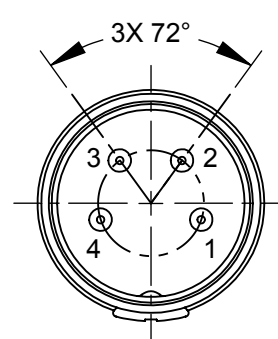


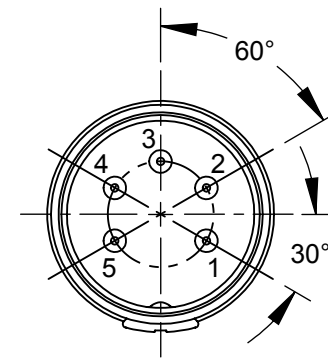
**05BL3MX**  
3 PINS AT 180°



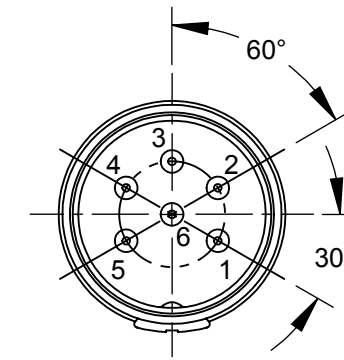
**05BL5MX**  
5 PINS AT 180°



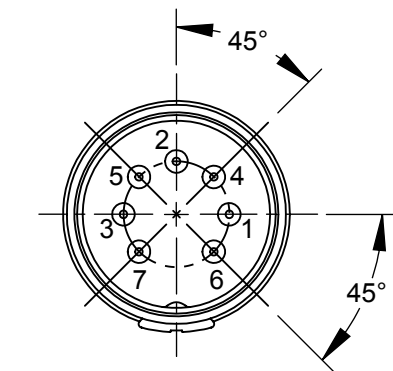
**09BL4MX**  
4 PINS AT 216°



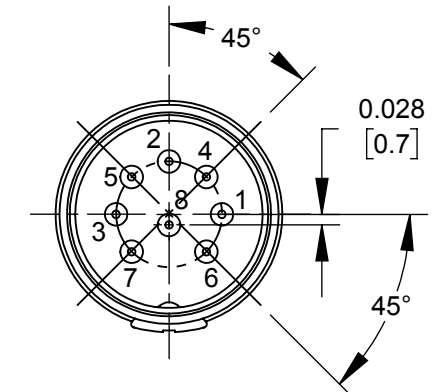
**12BL5MX**  
5 PINS AT 240°



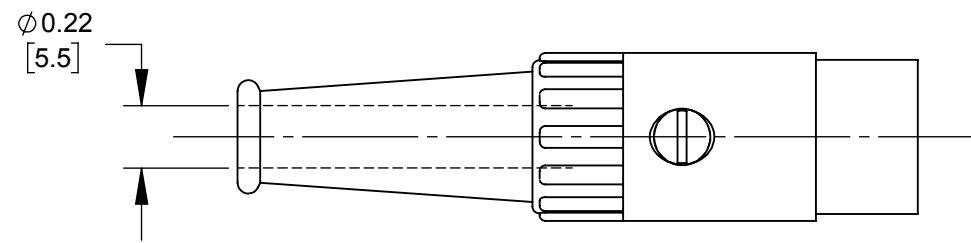
**12BL6MX**  
6 PINS AT 240°



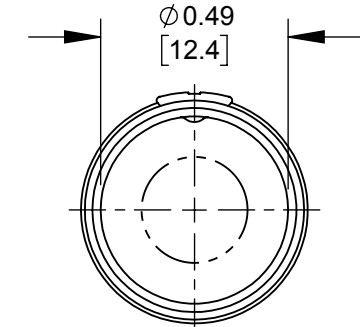
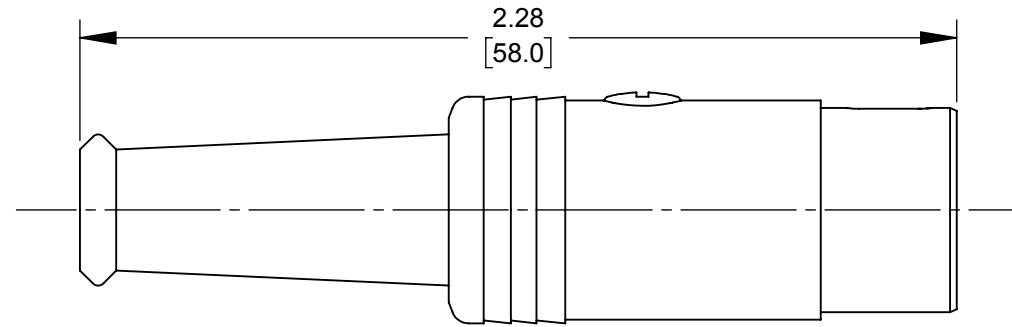
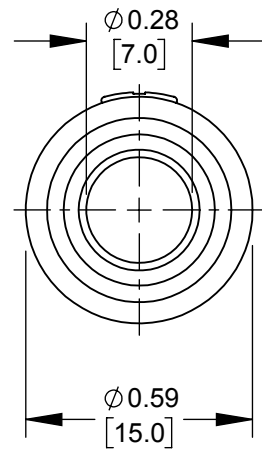
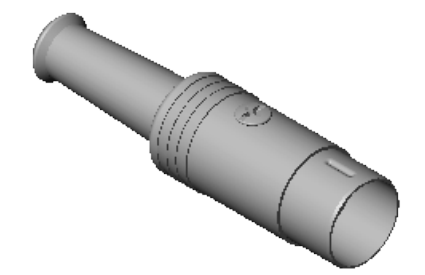
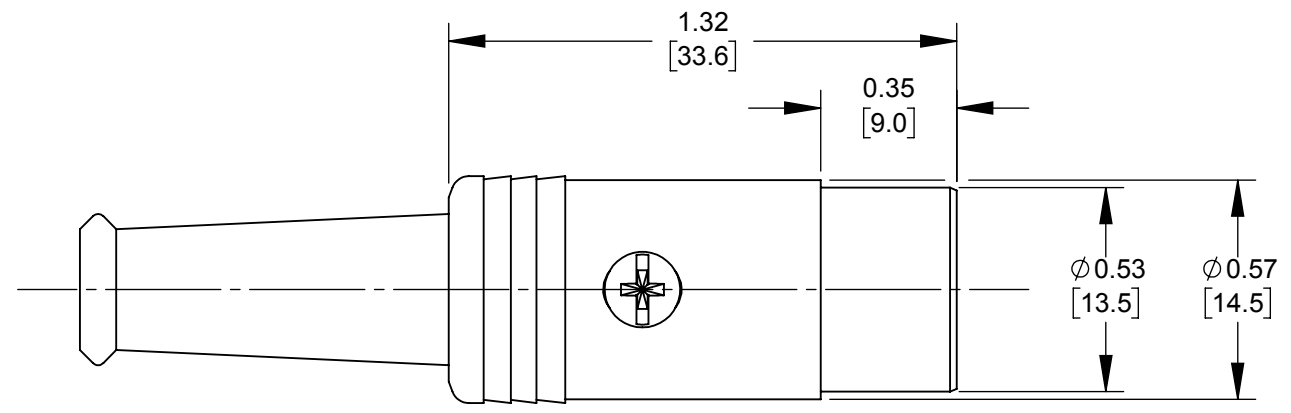
**15BL7MX**  
7 PINS AT 270°



**15BL8MX**  
8 PINS AT 270°



**ALTERNATE DESIGN**  
NICKEL PLATED ZINC ALLOY HOUSING  
SCALE 3:2



**CUSTOMER DRAWING**

- NOTES:
- PARTS SHIPPED ASSEMBLED.
  - Ø 0.04 [1.0mm] X 0.06 [1.5mm] DEEP HOLE IN PIN FOR SOLDERING.
  - MATERIALS:  
HOUSING - COPPER ALLOY, NICKEL PLATED  
FLEX RELIEF - THERMOPLASTIC, BLACK  
INSERT - THERMOPLASTIC, BLACK  
PINS - COPPER ALLOY, TIN PLATED  
CABLE CLAMP - STEEL, NICKEL PLATED  
SCREW - STEEL, NICKEL PLATED
  - THESE PRODUCTS ARE RoHS COMPLIANT.

REV	ECO NUMBER	DATE	BY	APVD
A	25265 & 26000	3/3/06	TJK	TJK
REVISIONS				

UNLESS OTHERWISE SPECIFIED

1. ALL DIMENSIONS IN INCHES  
- TWO PLACE DECIMALS ±0.02  
- THREE PLACE DECIMALS ±0.005

**DO NOT SCALE DRAWING**

THIS DRAWING DESCRIBES A DESIGN CONSIDERED PROPRIETARY IN NATURE, DEVELOPED AND MANUFACTURED BY SWITCHCRAFT INC. AND IS RELEASED ON A CONFIDENTIAL BASIS FOR IDENTIFICATION PURPOSES ONLY.									
SIZE	WIDTH	MULT	LBS/M	TEMPER					
FINISH					MATERIAL				
SPEC No.					SPEC No.				
FIRST USED ON					SCALE 2:1				
DATE DRAWN	BY	CHKD TO	APVD TJK						
5-10-13	TO	5-10-13	5-13-13						
NAME MALE DIN, 3-8 PIN CORD PLUG CONNECTOR, RoHS					PART No. 05BL_MX, 09BL_MX, 12BL_MX, 15BL_MX SERIES				
					SHEET 1 OF 1				
					REV A				