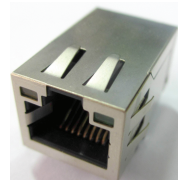


RJ45, Single Port, Tap Up, Thru-Hole, 1000 Base-T

ARJE-0027

RoHS/RoHS II Compliant



16.89 x 13.74 x 33.02mm

FEATURES:

- Compliant with IEEE802.3 standard
- 350uH minimum OCL with 8mA bias current
- High performance for maximum EMI suppression
- High reliability – 750 mating/unmating cycles

APPLICATIONS:

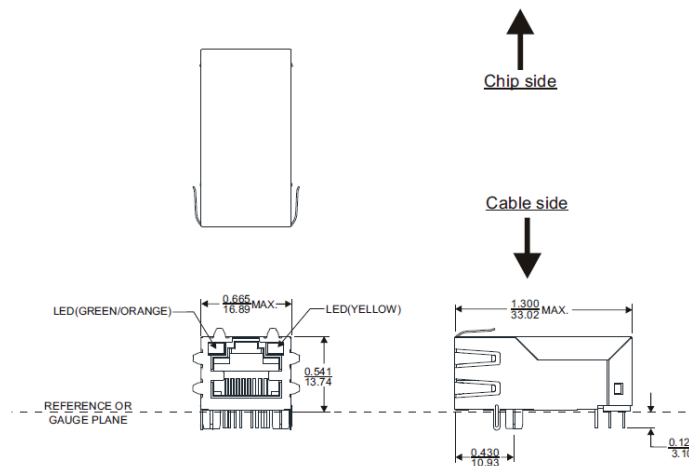
- Designed for Marvell 88E1119R Gigabit Ethernet transceiver device
- Supports 10/100/1000 Base-T applications
- Provides signal conditioning, EMI suppression and signal isolation

STANDARD SPECIFICATIONS

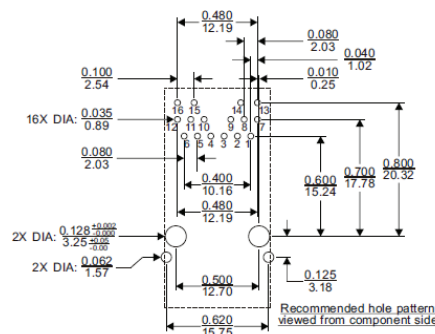
Operating temperature range: 0°C to +70°C Storage temperature range: -40°C to +85°C

Parameters	Minimum	Typical	Maximum	Units	Notes
Turn Ratio (±3%)	1CT:1CT				
Inductance	350			uH	100kHz, 0.1 Vrms, 8mADC
Insertion Loss			-1.0	dB	0.1-100MHz
Return Loss	-16.0			dB	1-30MHz
	-14.5				30-60MHz
	-12.0				80MHz
Crosstalk	-30.0			dB	0.1-100MHz
CMRR	-30.0			dB	0.1-100MHz
Hipot	1500Vrms				Pri to Sec

MECHANICAL DIMENSIONS



Recommended Land Pattern



Dimensions: inch/mm (Unless otherwise specified, all tolerances are ±0.01/0.25)

ABRACON IS
ISO 9001:2008
CERTIFIED



ABRACON
CORPORATION

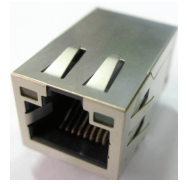
Visit www.abracon.com for Terms & Conditions of Sale
30332 Esperanza, Rancho Santa Margarita, California 92688
tel 949-546-8000 | fax 949-546-8001 | www.abracon.com

Revised: 11.01.13

RJ45, Single Port, Tap Up, Thru-Hole, 1000 Base-T

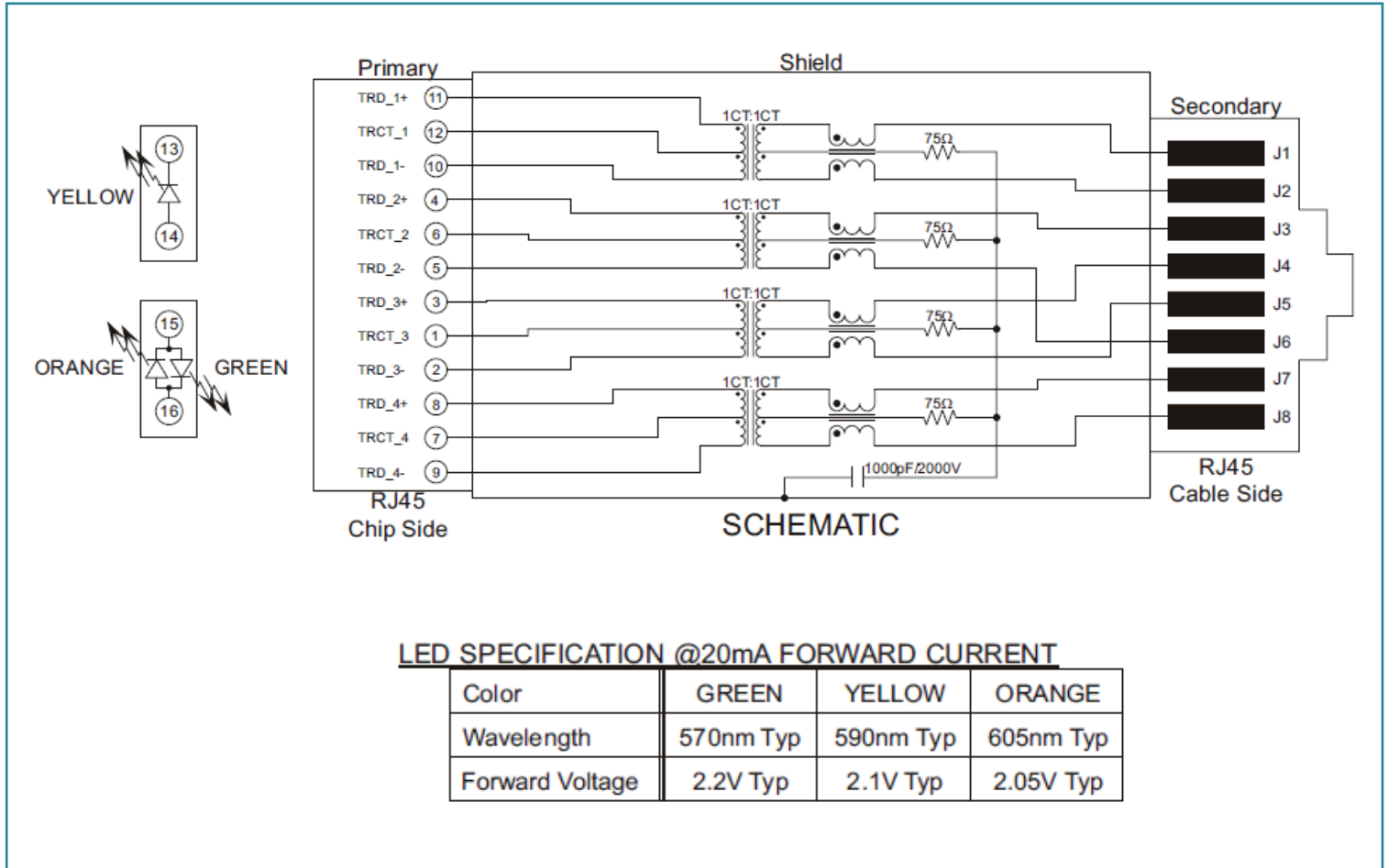
ARJE-0027

RoHS/RoHS II Compliant



16.89 x 13.74 x 33.02mm

SCHEMATICS



Packing: 120pcs/tray

ATTENTION: Abracon Corporation's products are COTS – Commercial-Off-The-Shelf products; suitable for Commercial, Industrial and, where designated, Automotive Applications. Abracon's products are not specifically designed for Military, Aviation, Aerospace, Life-dependant Medical applications or any application requiring high reliability where component failure could result in loss of life and/or property. For applications requiring high reliability and/or presenting an extreme operating environment, written consent and authorization from Abracon Corporation is required. Please contact Abracon Corporation for more information.

ABRACON IS
ISO 9001:2008
CERTIFIED



Visit www.abracon.com for Terms & Conditions of Sale
30332 Esperanza, Rancho Santa Margarita, California 92688
tel 949-546-8000 | fax 949-546-8001 | www.abracon.com

Revised: 11.01.13