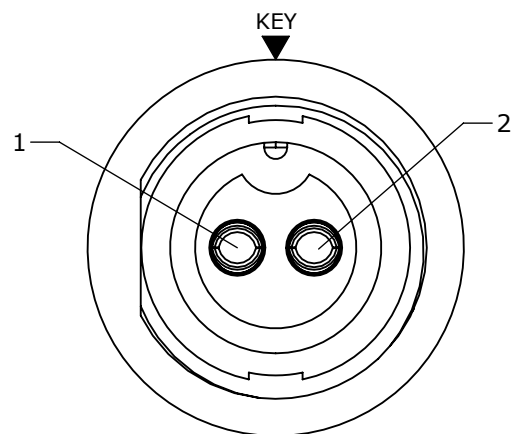


CUSTOMER PRINT

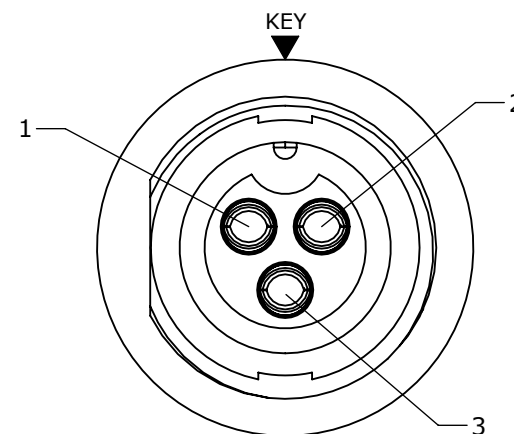
PART NUMBER: 4182-XSG-300

ASSY P/N	NO. OF CONTACTS
4182-2SG-300	2
4182-3SG-300	3

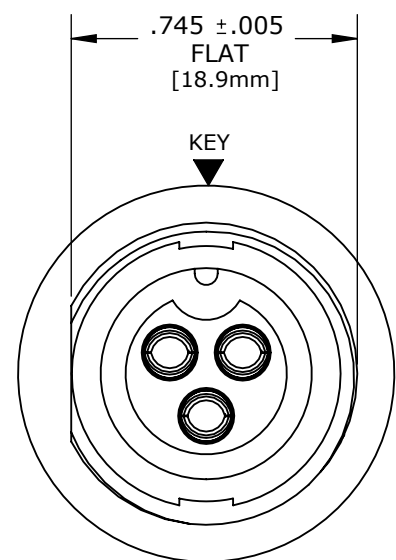
NOTES:  
 1. PARTS TO BE BULK PACKED  
 2. CONTACTS ARE ASSEMBLED INTO CONNECTOR.



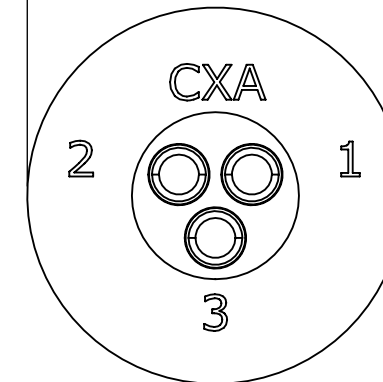
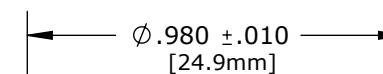
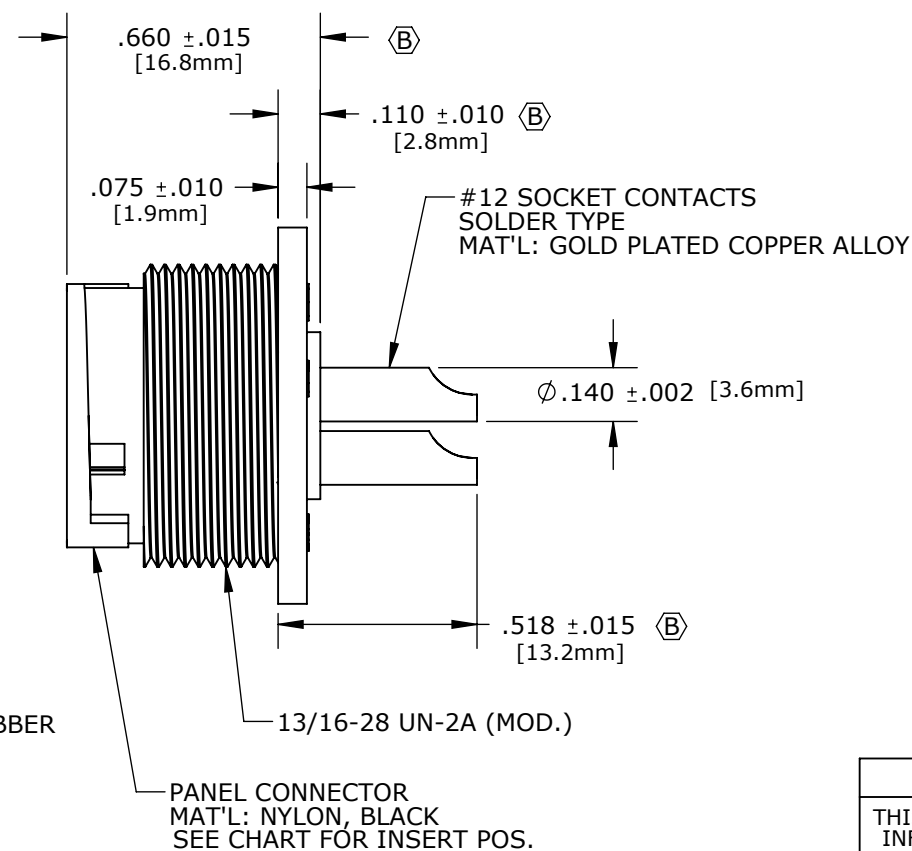
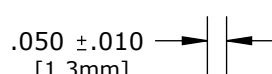
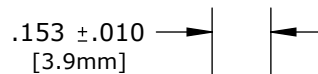
FACE VIEW  
4182-2SG-300



FACE VIEW  
4182-3SG-300



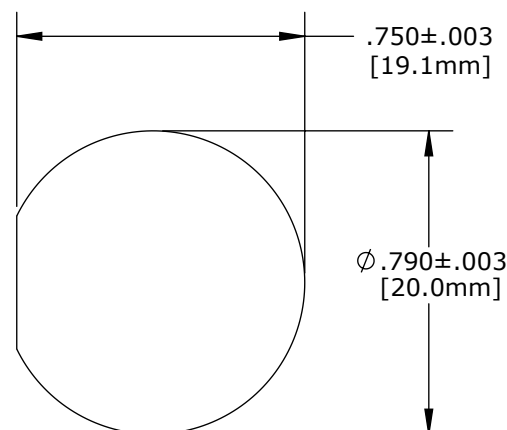
FACE VIEW  
P/N: 4182-3SG-300



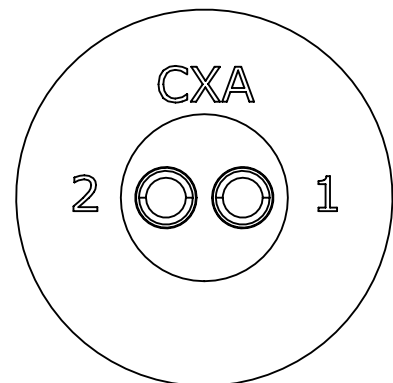
WIRE VIEW  
P/N: 4182-3SG-300

HEX NUT  
MAT'L: NYLON, BLACK  
1.00 ±.015 FLAT

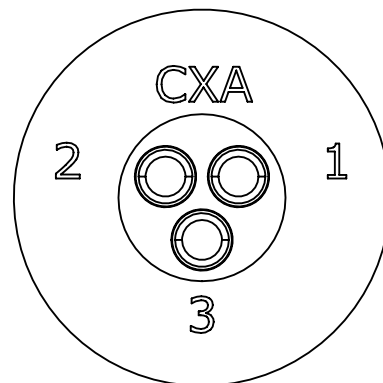
GASKET  
MAT'L: RUBBER



RECOMMENDED  
PANEL CUT-OUT



WIRE VIEW  
4182-2SG-300



WIRE VIEW  
4182-3SG-300

DIMENSIONS IN BRACKET [ ] ARE METRIC.

CUSTOMER APPROVAL

THIS DOCUMENT CONTAINS CONFIDENTIAL INFORMATION PROPRIETARY TO CONXALL CORPORATION. ANY REPRODUCTION, DISCLOSURE, OR USE OF THIS DOCUMENT / INFORMATION IS EXPRESSLY PROHIBITED UNLESS AUTHORIZED IN WRITING BY CONXALL CORPORATION.

APPROVED BY: \_\_\_\_\_

DATE: \_\_\_\_\_

B	AN	09-14-10	CORRECTED WITHOUT WELL, DIMENSION 0.660 WAS 0.705 & 0.518 WAS 0.526, ADDED TOLERANCES & MATERIAL. PER ECR 7569
A	BZ	10-12-09	DRAWING CREATED PER DOR 09-1731KL
REV.	INIT.	DATE	DESCRIPTION
	BZ	10-12-09	ORIG. DRAWN BY: DATE: 10-12-09
ALL INFORMATION ILLUSTRATED IS THE PROPERTY OF CONXALL CORPORATION. UNAUTHORIZED DUPLICATION OR DISTRIBUTION OF THIS DOCUMENT IS PROHIBITED.			 601 E. WILDWOOD VILLA PARK, IL 60181
ALL UNITS ARE IN FEET, INCHES, FRACTION OF INCHES AND DECIMALS. UNLESS OTHERWISE SPECIFIED TOLERANCES: 3 PLACE DECIMALS ±.010 ANGLES ±1° FRACTIONS ±1/16 - CRITICAL CHARACTERISTIC FLAG PER SPEC. XXXX			
APPROVED BY:		TITLE: PANEL CONNECTOR ASS'Y KIT (2-3) #12 SOCKET CONTACTS MULTI-CON-X	
SCALE	SIZE	SHEET	CUSTOMER: STANDARD PRODUCT
NTS	B	1 OF 1	
FILE:	DIRECTORY:	PART NUMBER:	REV
4182-XSG-300	SLW	4182-XSG-300	B