



PART NAME

PTH MOUNTING PLATE (STEEL)

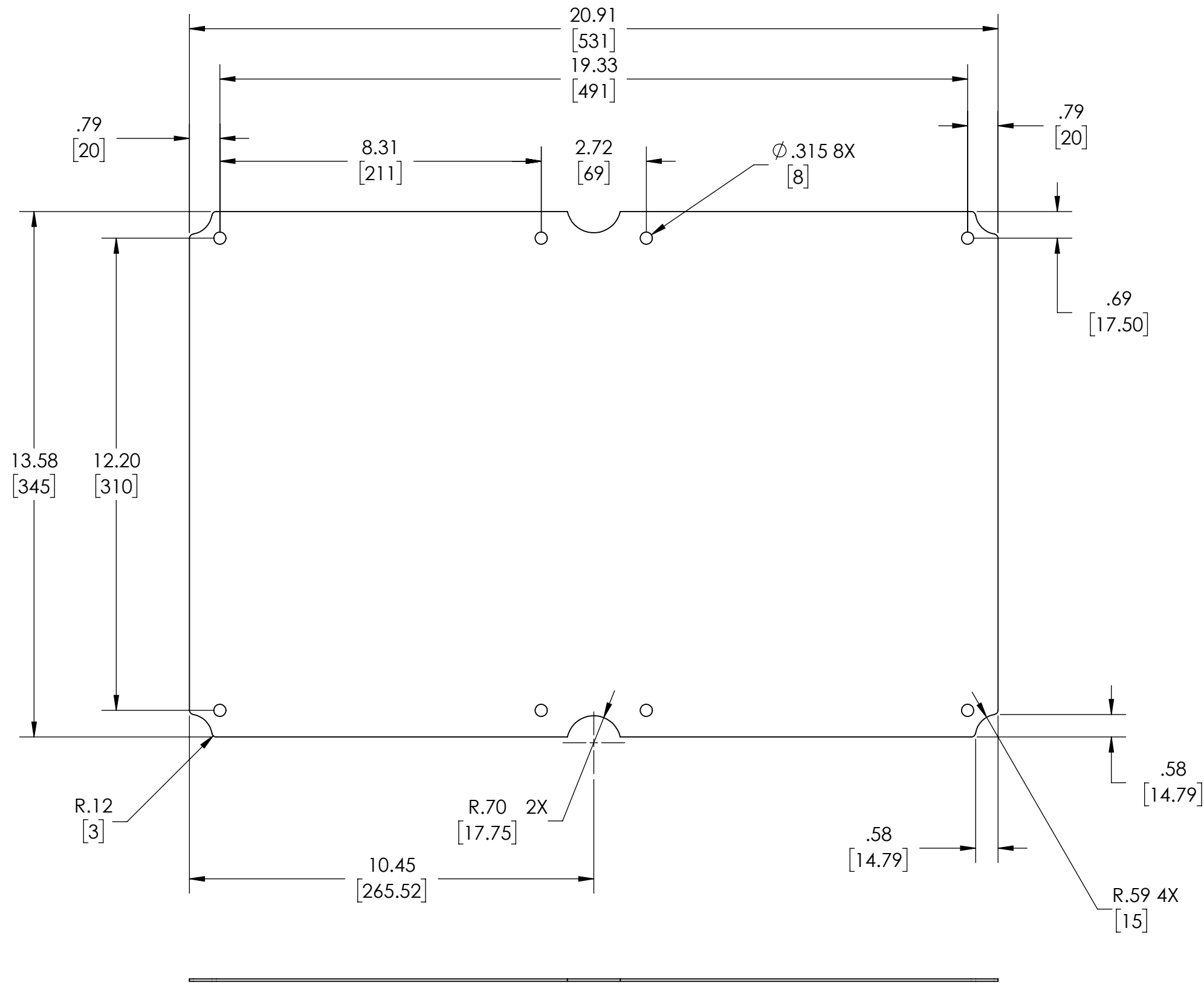
PART No.

PTX-22462

REVISION DATE

10-20-17

**DRAWING FOR REFERENCE**  
WE RESERVE THE RIGHT TO MAKE CHANGES TO OUR STANDARD PRODUCTS. PLEASE CONSULT WITH BUD INDUSTRIES PRIOR TO USING THIS DRAWING FOR DESIGN PURPOSE.



MATERIAL - .063 [1.6mm] THK. STEEL, ZINC PLATE

DIMENSIONS ARE INCH[MM]

PANEL FITS THE FOLLOWING ENCLOSURES:  
PTH-22462 & PTH-22462-C  
PTH-22762-L & PTH-22762-LC