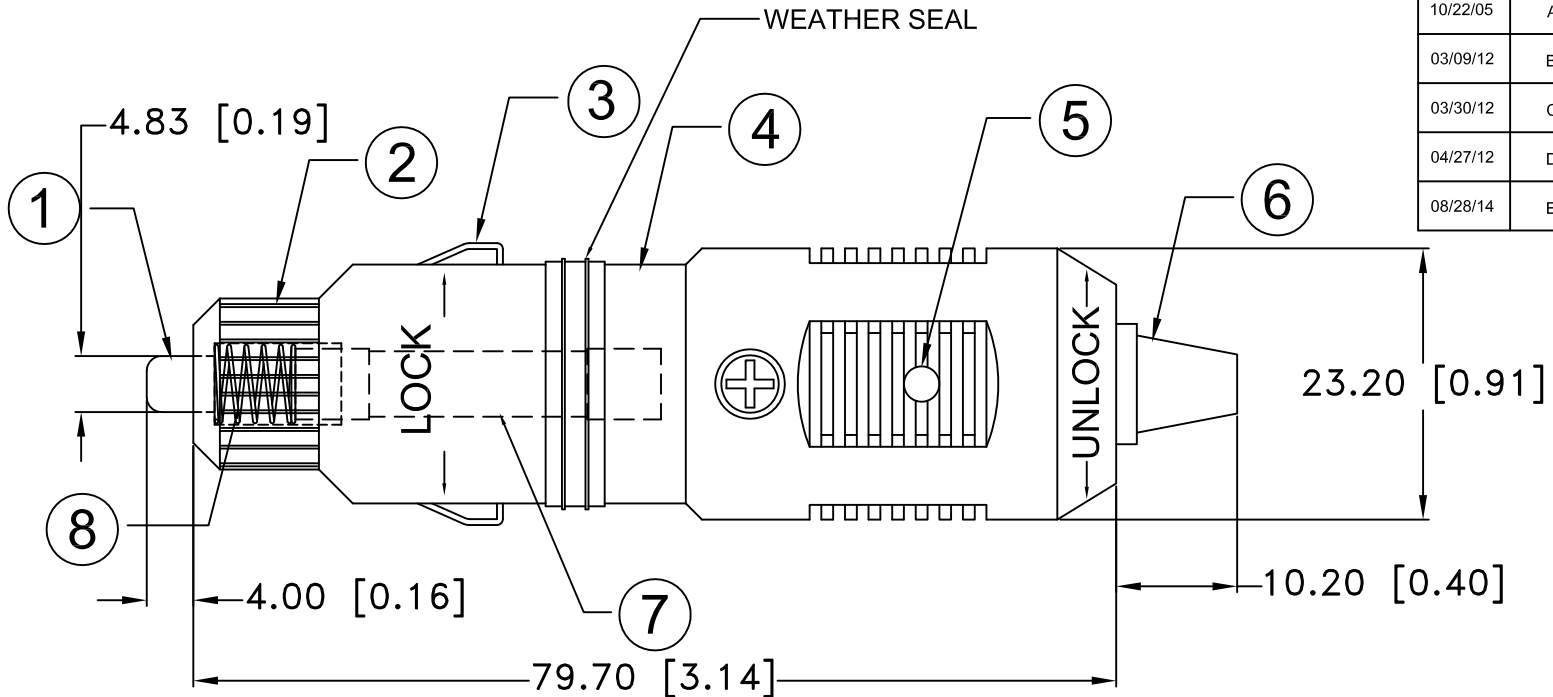



| Date     | SYM | REVISION RECORD                           | AUTH | DR.  | CK. |
|----------|-----|---|------|------|-----|
| 10/22/05 | A   | ADDED "ROHS COMPLIANT"                    | T.B. | B.S. |     |
| 03/09/12 | B   | CHANGED BODY MATERIAL AND SPRING MATERIAL | T.B. | B.S. |     |
| 03/30/12 | C   | UPDATED NOTE                              | T.B. | B.S. |     |
| 04/27/12 | D   | ADDED "CE LISTED" IN NOTE                 | T.B. | B.S. |     |
| 08/28/14 | E   | UPDATED TO ROHS 2 COMPLIANT               | T.B. | B.S. |     |



| ITEM NO. | PART NAME                | MATL. SPECIFICATION                             |
|----------|--------------------------|---|
| 1        | TIP CONTACT (+) TERMINAL | BRASS, NICKEL PLTD.                             |
| 2        | NOSE CAP                 | BRASS, NICKEL PLTD.                             |
| 3        | (-) TERMINAL             | BRASS, NICKEL PLTD.                             |
| 4        | BODY                     | NYLON #66                                       |
| 5        | LED                      | GREEN, 3mm, 12V                                 |
| 6        | STRAIN RELIEF            | PVC 100%  |
| 7        | FUSE                     | 250V, 3 AMP, 3AG 6.35mm X 30mm (1/4" x 1 1/4"), |
| 8        | SPRING                   | ZINC  |

NOTE:  
 MAXIMUM RATING: 8AMP.  
 FAST ACTING FUSE  
 ROHS 2 COMPLIANT  
 CE LISTED

|                                |   |                          |  |
|--------------------------------|---|--------------------------|--|
| Tolerance<br>(Except as noted) |  <b>Memory Protection Devices, Inc</b><br>200 Broad Hollow Road, Farmingdale, New York 11735 |                          |  |
| decimal<br>±.5 (.020)          | Scale   | Drawn By B.S.            |  |
| Fractional<br>± .8 (.030)      | Title 12V CIGARETTE PLUG WITH GREEN LED AND 3AMP FUSE   |                          |  |
| Angular<br>± 3°                | Date<br>08/28/14  | Drawing Number<br>AP-121 |  |
|                                |   | Approved By T.B.         |  |