

DSP Pro Development Board Stratix II 2S180 Edition

Rev 01

Revision History		
Date	Change Description	Rev
8/18/05	Created schematic and changed the component from the 2S60 on the DSP board to the 2S180 on this Pro version of the board	01

<Core Design>

Altera Corp.

110 Cooper Street, Suite 201, Santa Cruz, CA, 95060

Title

DSP Pro Stratix II 2S180 (Maine Pro)

Size

A

Document Number

P06-10217-01

Rev

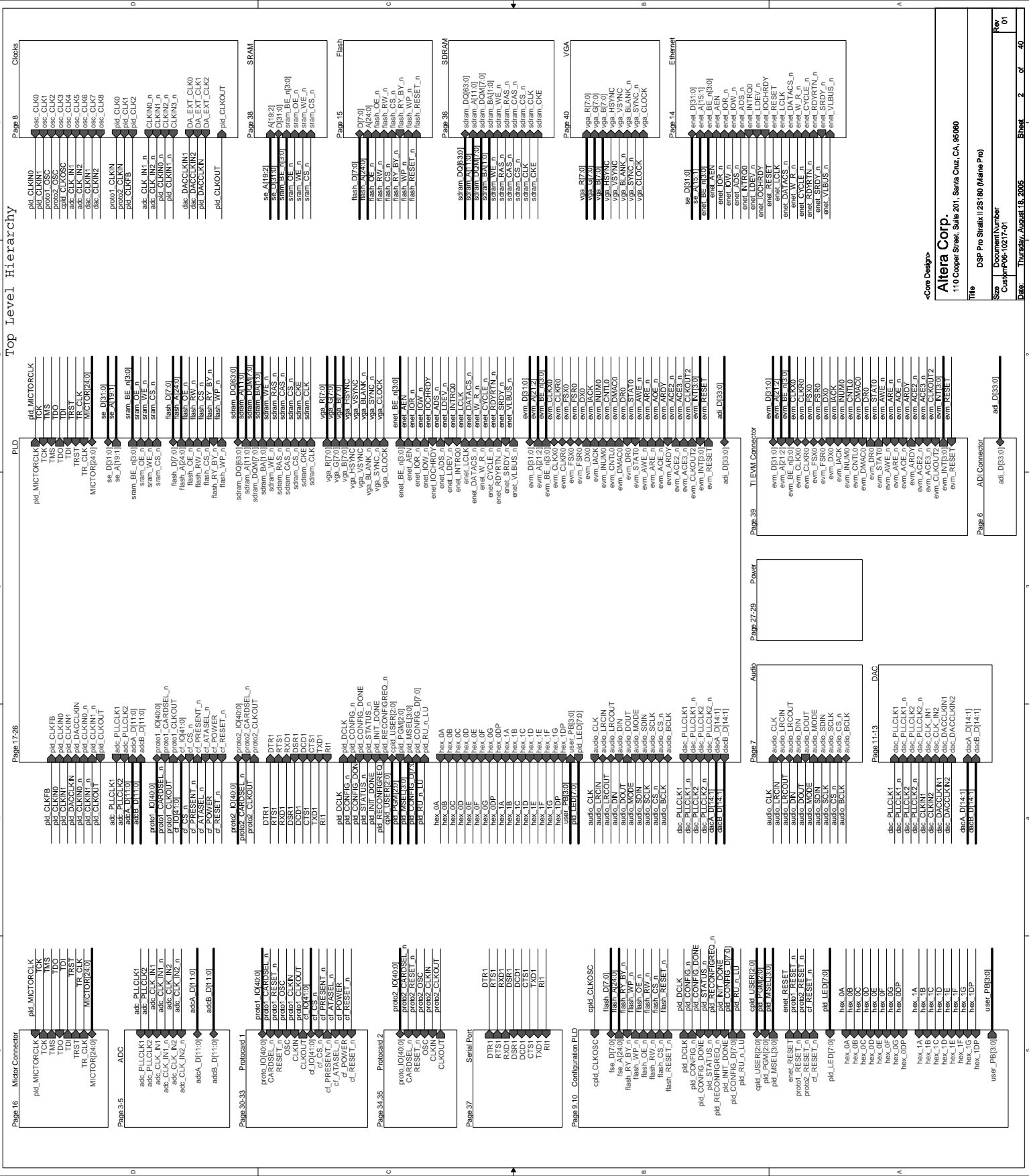
01

Date:

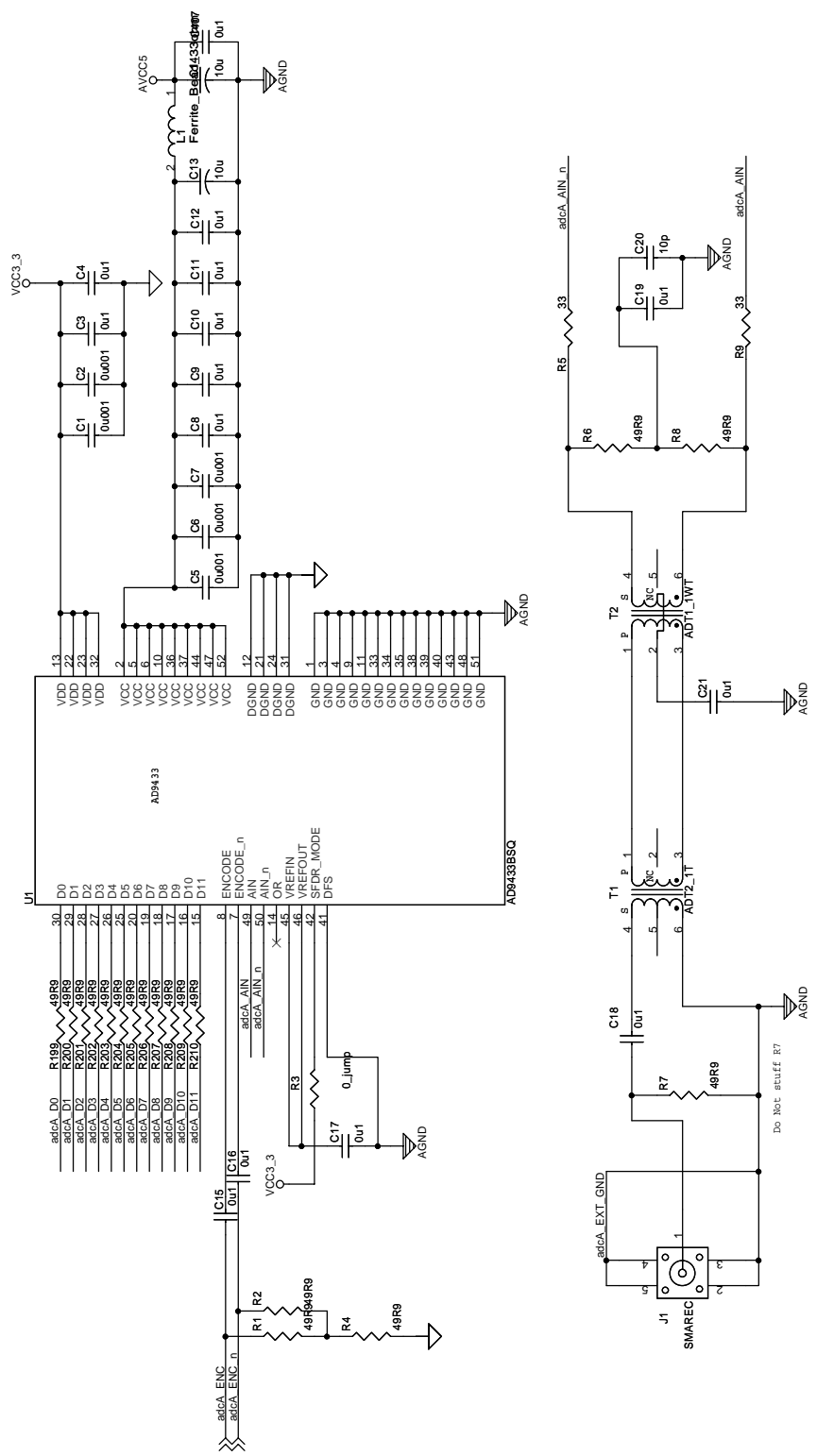
Thursday, August 18, 2005

Sheet

1 of 40



adca_d11.01



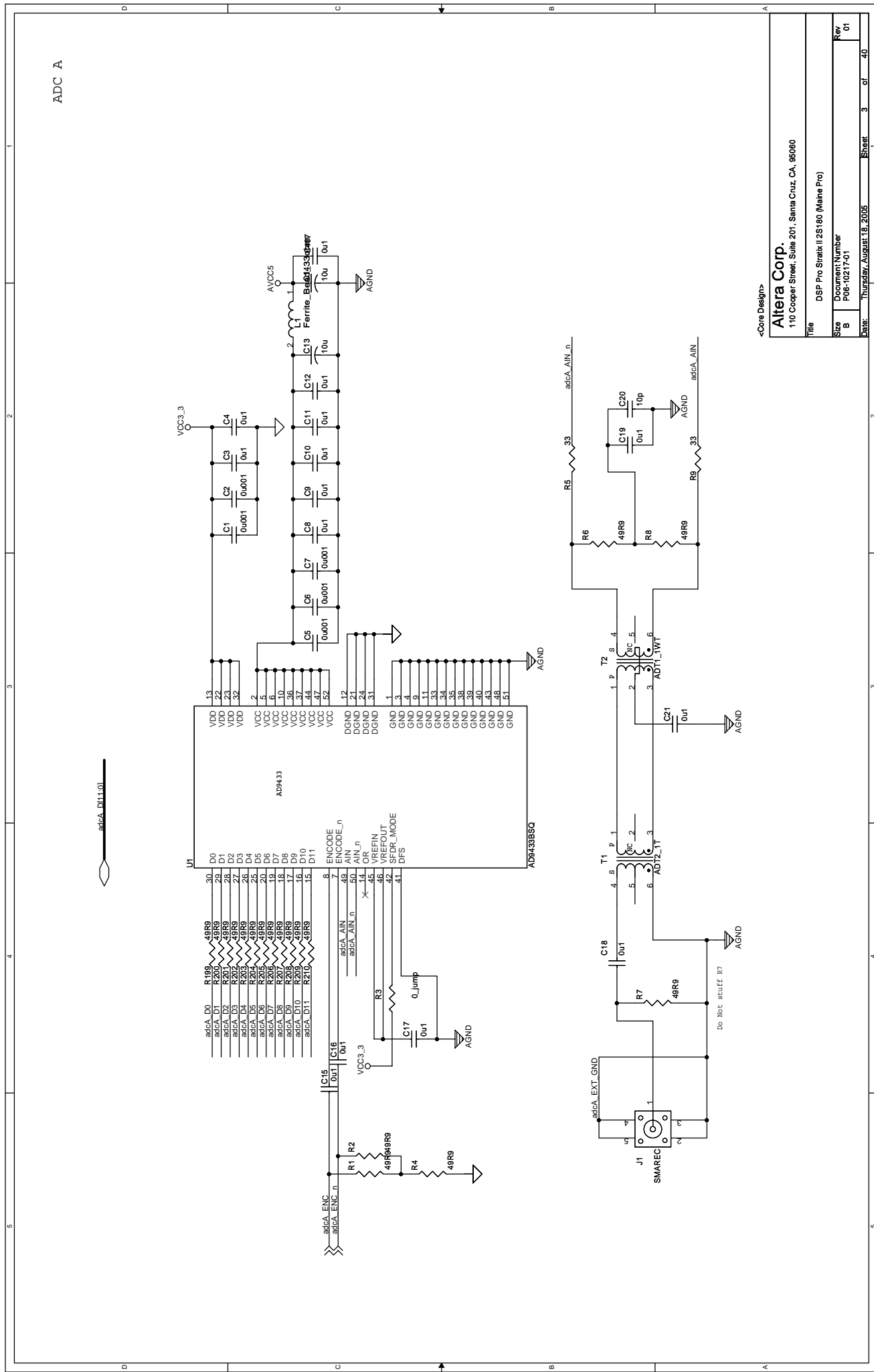
<Core Design>

Altera Corp.
 110 Cooper Street, Suite 201, Santa Cruz, CA, 95060

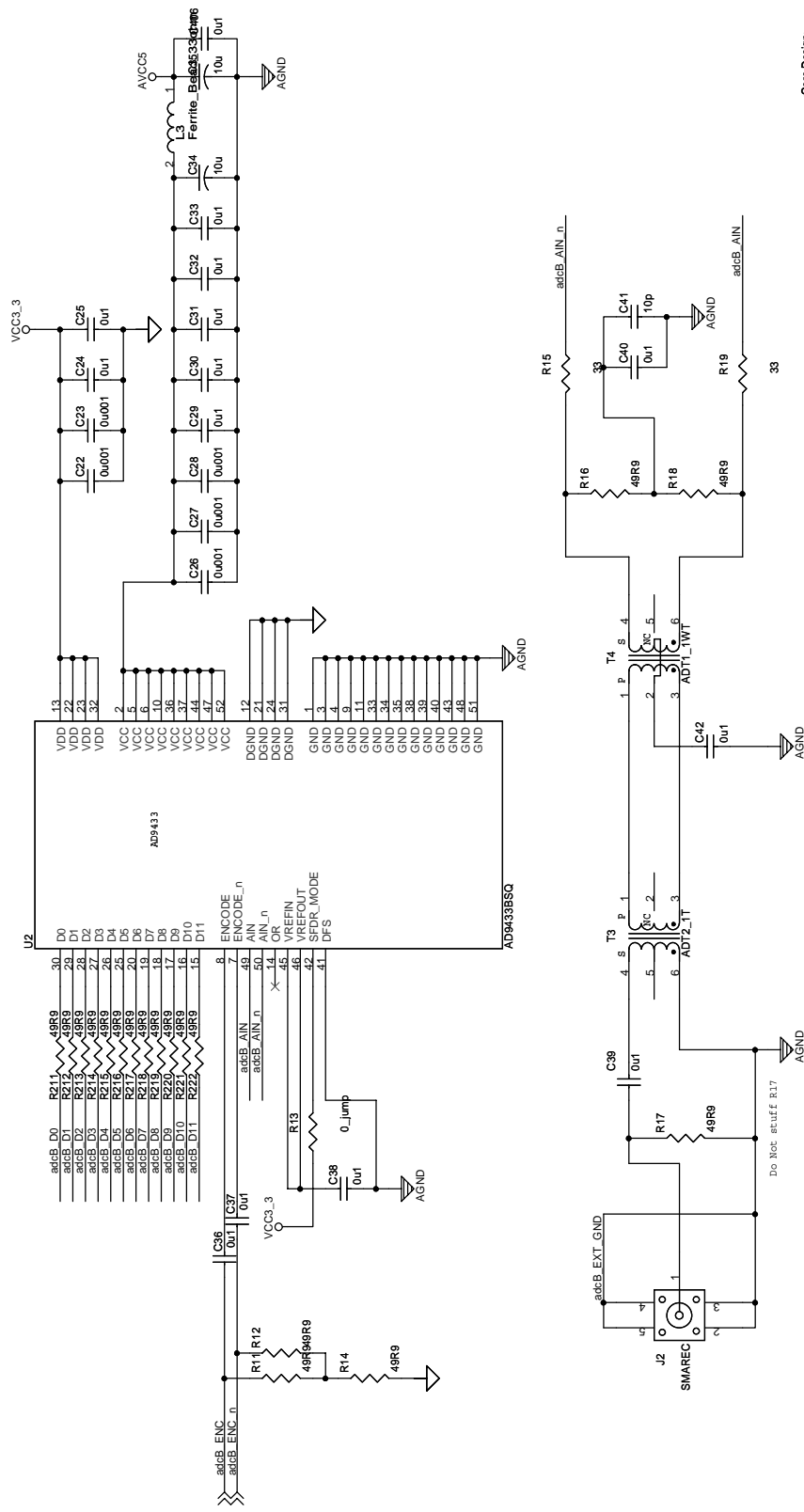
Title DSP Pro Strata II 2S180 (Maine Pro)

Size Document Number P06-10217-01

Date: Thursday, August 18, 2005 Sheet 3 of 40



adcB_D11101



<Core Design>

Altera Corp.

110 Cooper Street, Suite 201, Santa Cruz, CA, 95060

Title DSP Pro Strata II 2S180 (Maine Pro)

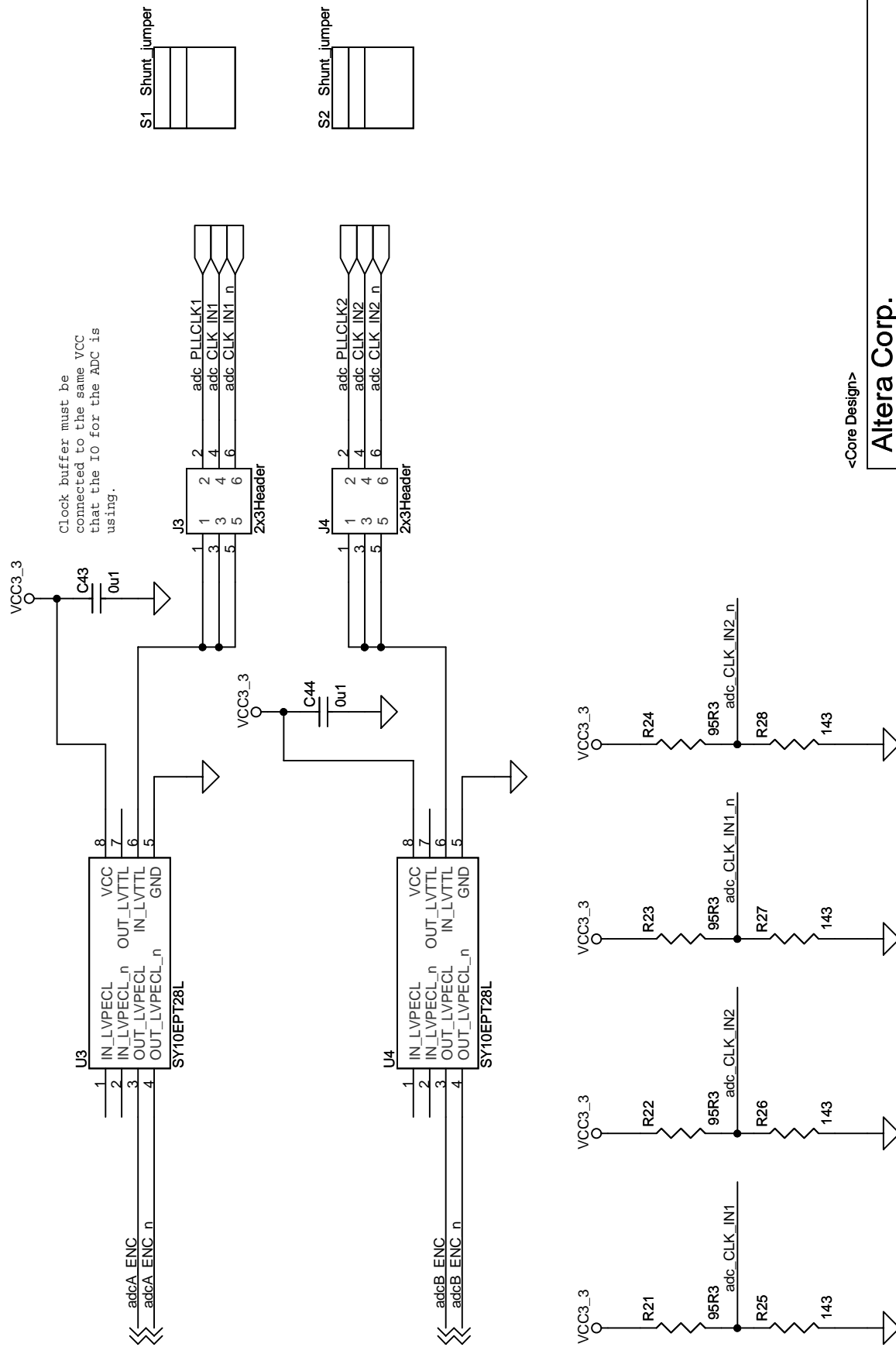
Size B Document Number P06-10217-01

Date: Thursday, August 18, 2005

Sheet 4 of 40

Rev 01

ADC Clock Selection



<Core Design>

Altera Corp.
110 Cooper Street, Suite 201, Santa Cruz, CA, 95060

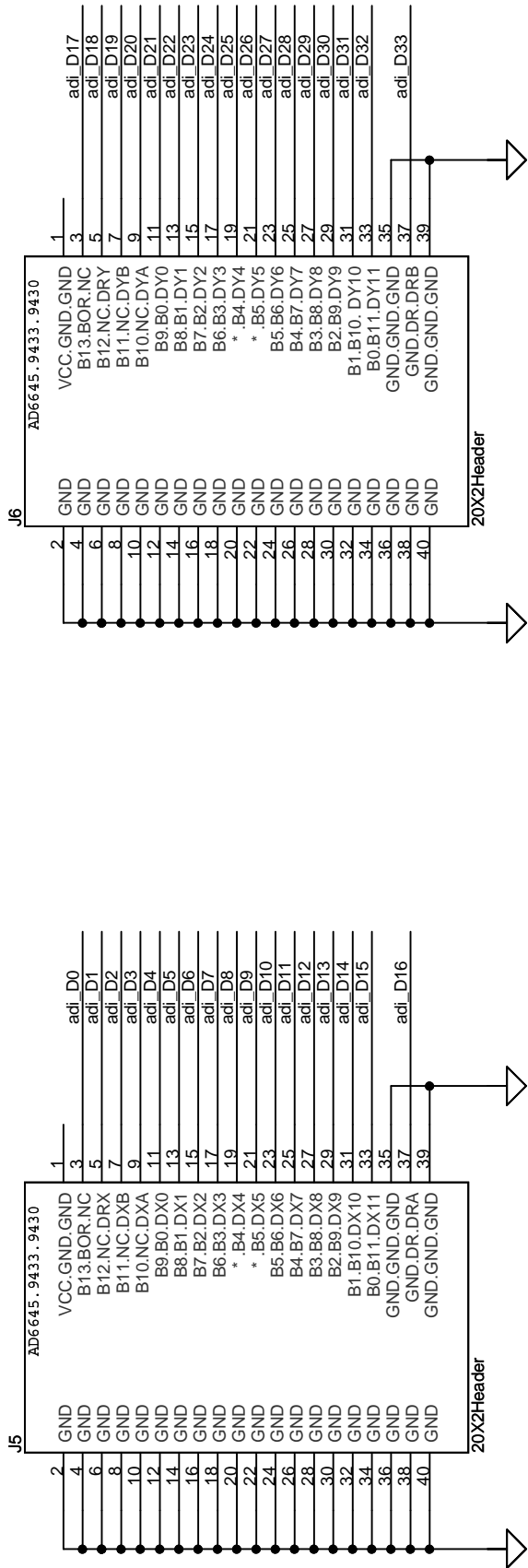
Title: DSP Pro Stratix II 2S180 (Maine Pro)

Size	Document Number	Rev
A	P06-10217-01	01

Date: Thursday, August 18, 2005 Sheet 5 of 40

ADI Connector

adi_D133:01



<Core Design>

Altera Corp.

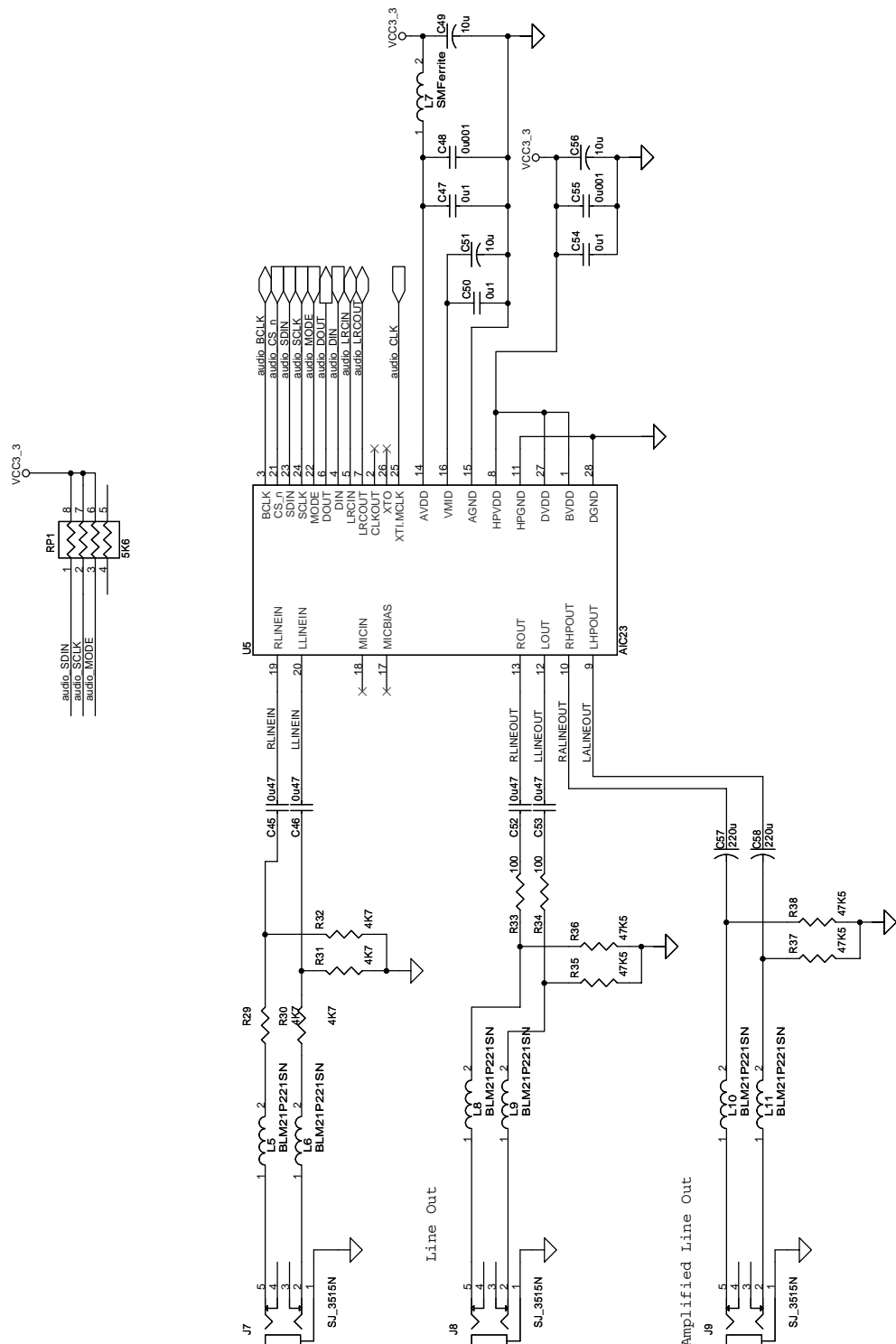
110 Cooper Street, Suite 201, Santa Cruz, CA, 95060

Title DSP Pro Stratix II 2S180 (Maine Pro)

Size A Document Number P06-10217-01

Rev 01

Date: Thursday, August 18, 2005 Sheet 6 of 40



<Core Design>

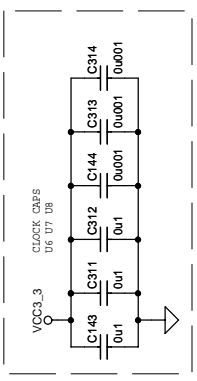
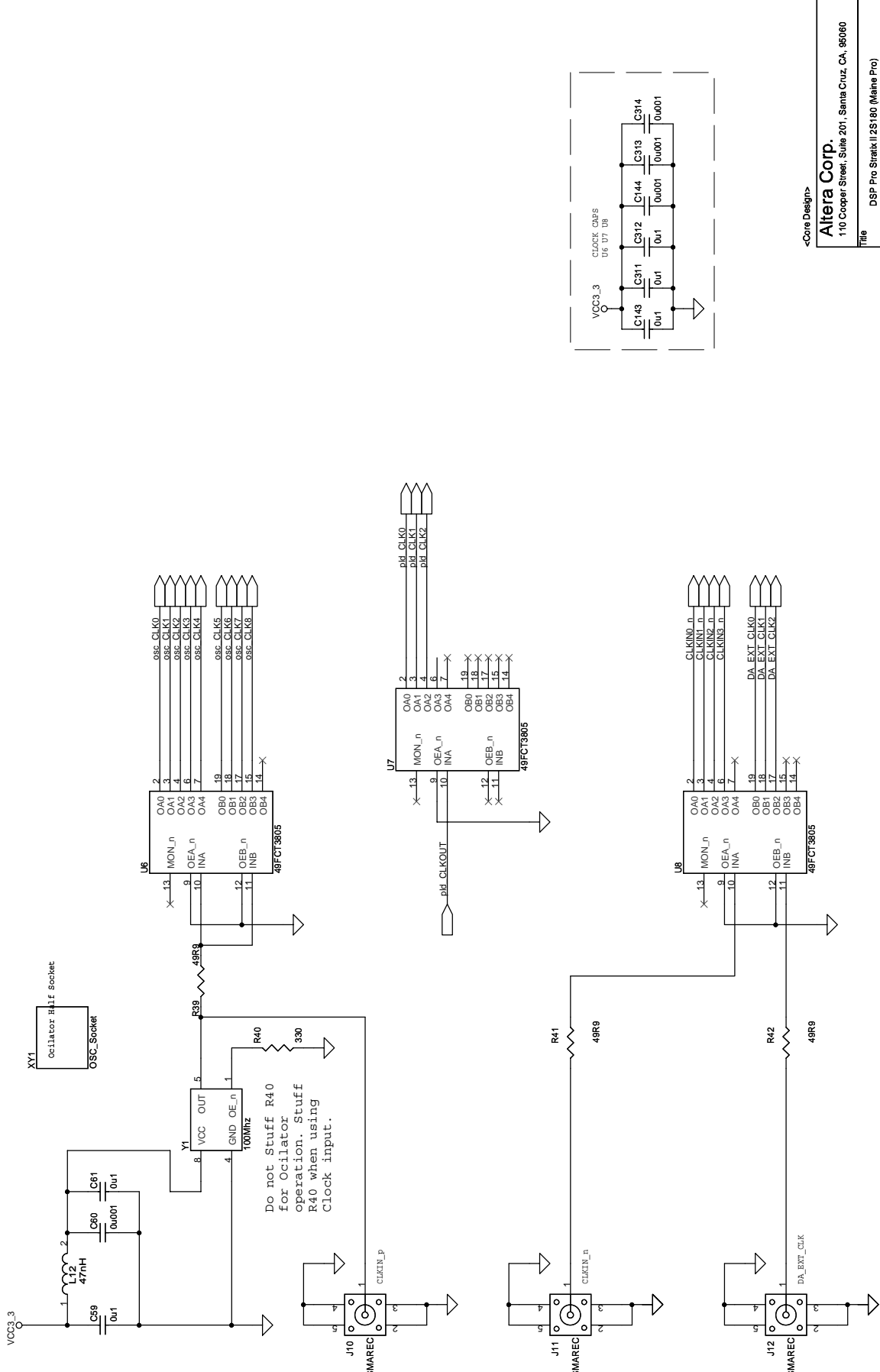
Altera Corp.

110 Cooper Street, Suite 201, Santa Cruz, CA, 95060

Title DSP Pro Strata II 2S180 (Maine Pro)

Size B Document Number P06-10217-01

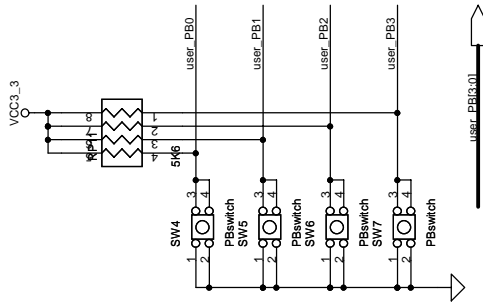
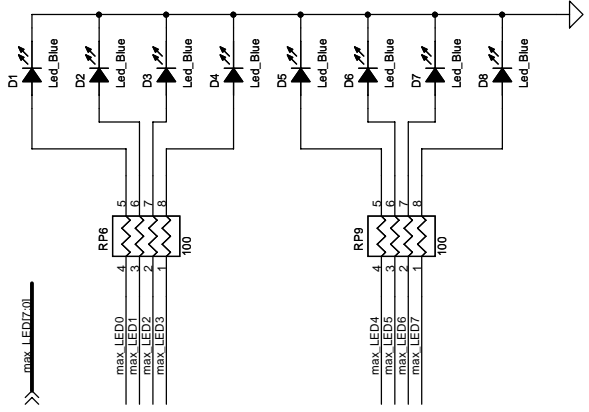
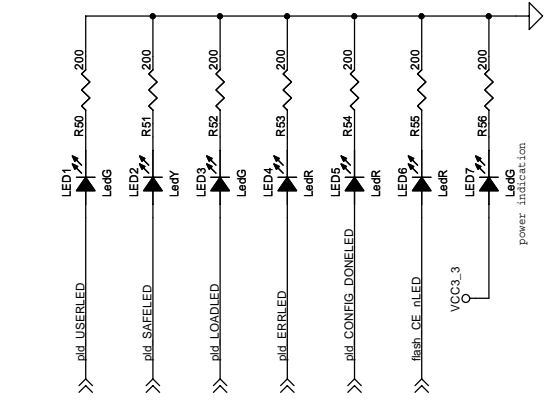
Date: Thursday, August 18, 2005 Sheet 7 of 40



<Core Design>

Altera Corp.
 110 Cooper Street, Suite 201, Santa Cruz, CA, 95060

Title	DSP Pro Strata II 2S180 (Maine Prio)
Size	Document Number
B	P06-10217-01
Date:	Thursday, August 18, 2005
Sheet	8 of 40
Rev	01



<Core Design>

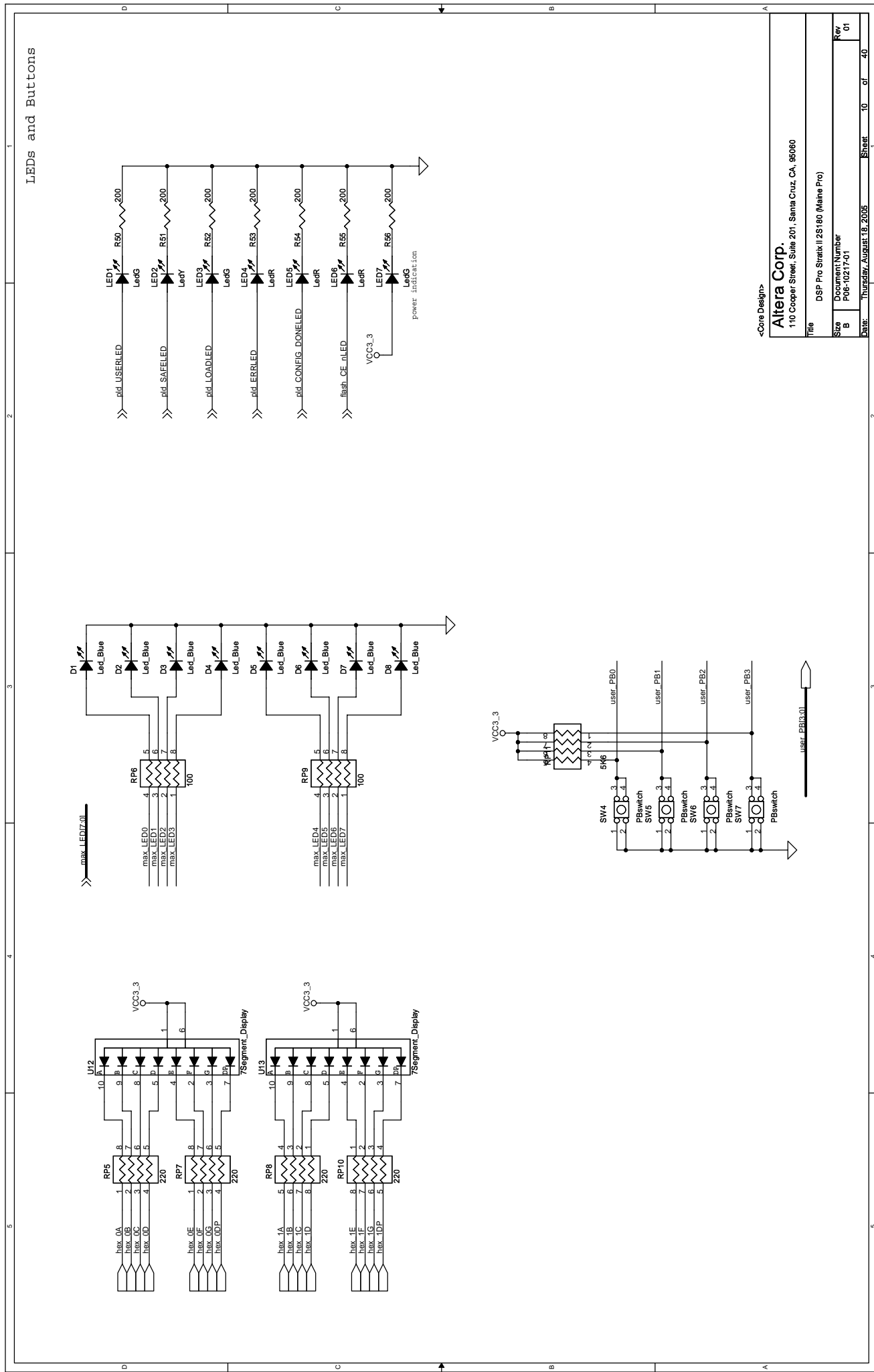
Altera Corp.

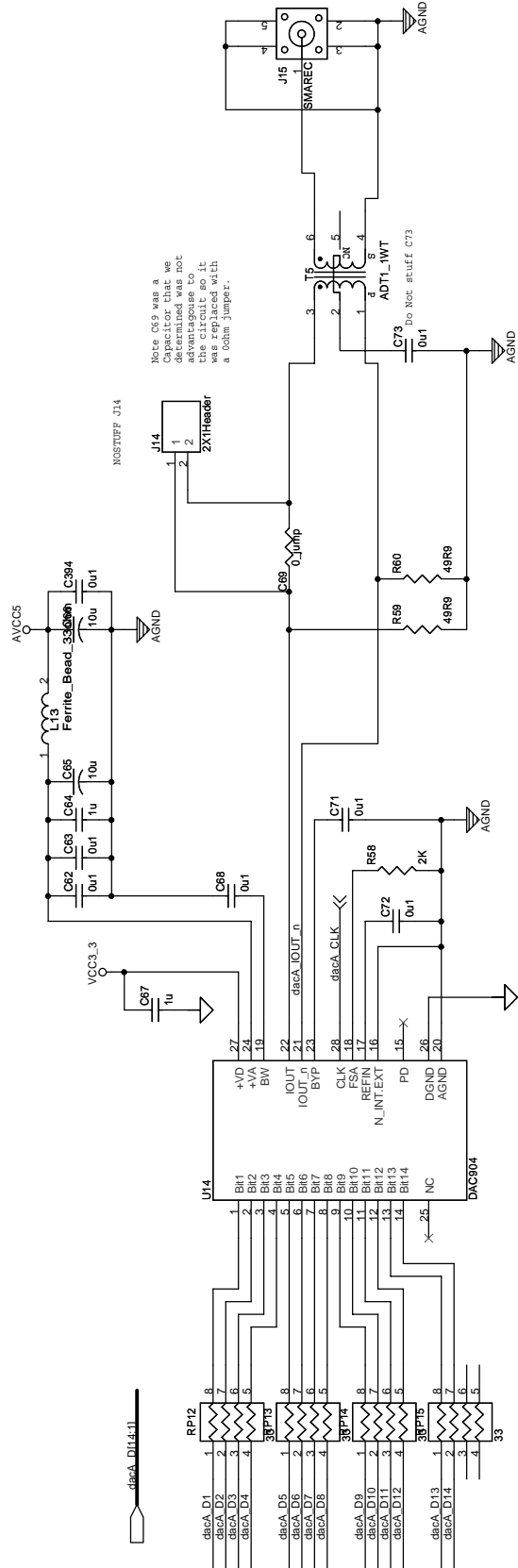
110 Cooper Street, Suite 201, Santa Cruz, CA, 95060

Title DSP Pro Strata II 2S180 (Maine Pro)

Size B Document Number P06-10217-01

Date: Thursday, August 18, 2005 Sheet 10 of 40



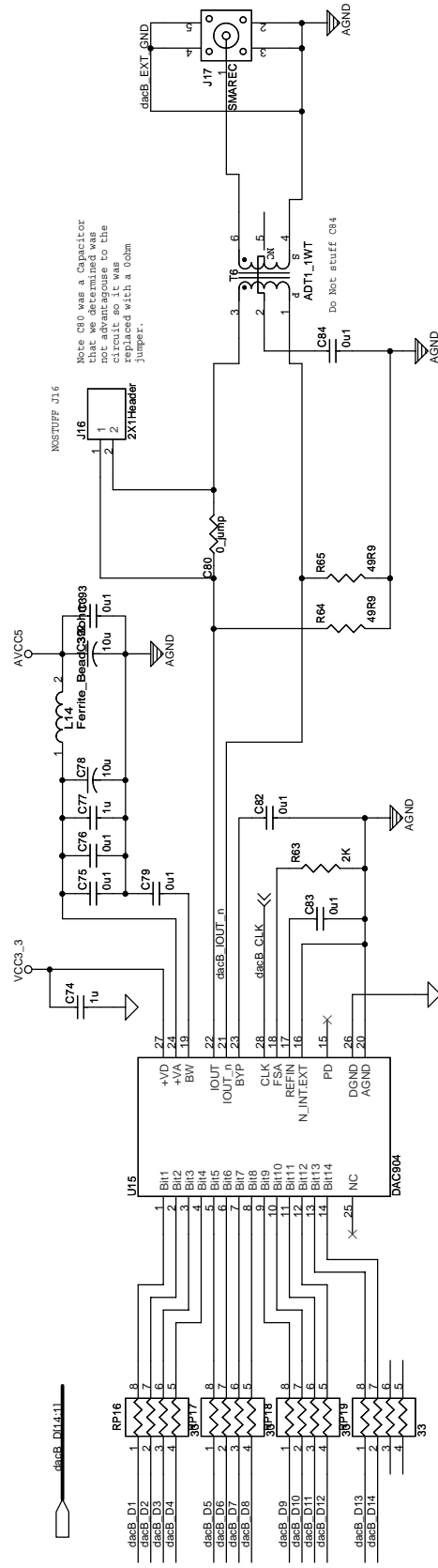


Note: C69 was a capacitor that we added to the circuit so it was replaced with a 0.03µm jumper.

TP1 Should be labeled IOUT_n in silk screen
Test_Header

<Core Design>
Altera Corp.
110 Cooper Street, Suite 201, Santa Cruz, CA, 95060

Title	DSP Pro Strata II 2S180 (Maine Pro)
Size	Document Number
B	P06-10217-01
Date:	Thursday, August 18, 2005
Sheet	11 of 40
Rev	01



Note C80 was a Capacitor
 but it was replaced with a 0ohm
 jumper so it was
 not advantageous to the
 circuit so it was
 replaced with a 0ohm
 jumper.

DO NOT STUFF C84

TP3 Should be labeled IOUT_n in silk screen
 Test_Header

<Core Design>

Altera Corp.

110 Cooper Street, Suite 201, Santa Cruz, CA, 95060

Title DSP Fio Strata II 2S180 (Maine Fio)

Size B Document Number

P06-10217-01

Date: Thursday, August 18, 2005

Sheet 12 of 40

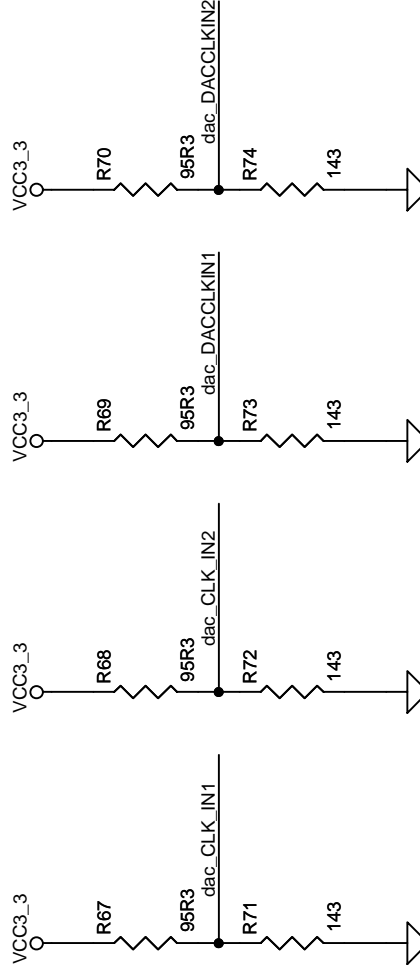
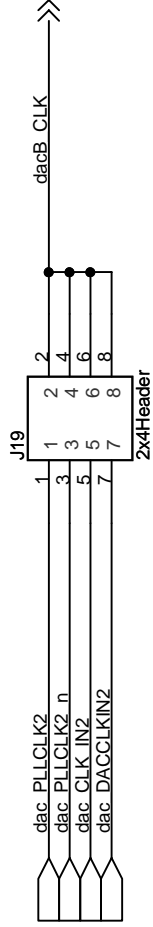
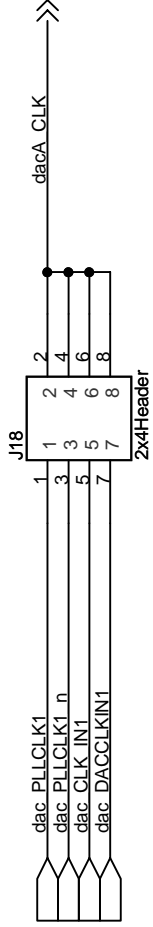
Rev 01

DAC Clock Jumper

S3 Shunt jumper



S4 Shunt jumper



<Core Design>

Altera Corp.

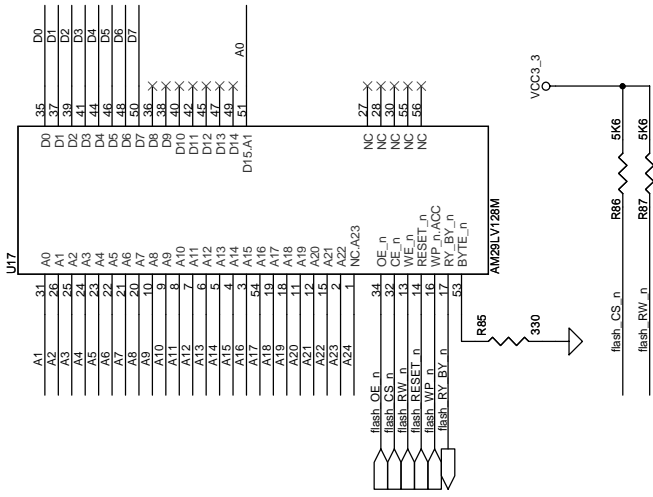
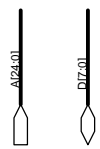
110 Cooper Street, Suite 201, Santa Cruz, CA, 95060

Title DSP Pro Stratix II 2S180 (Maine Pro)

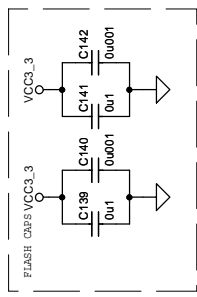
Size A Document Number P06-10217-01

Rev 01

Date: Thursday, August 18, 2005 Sheet 13 of 40



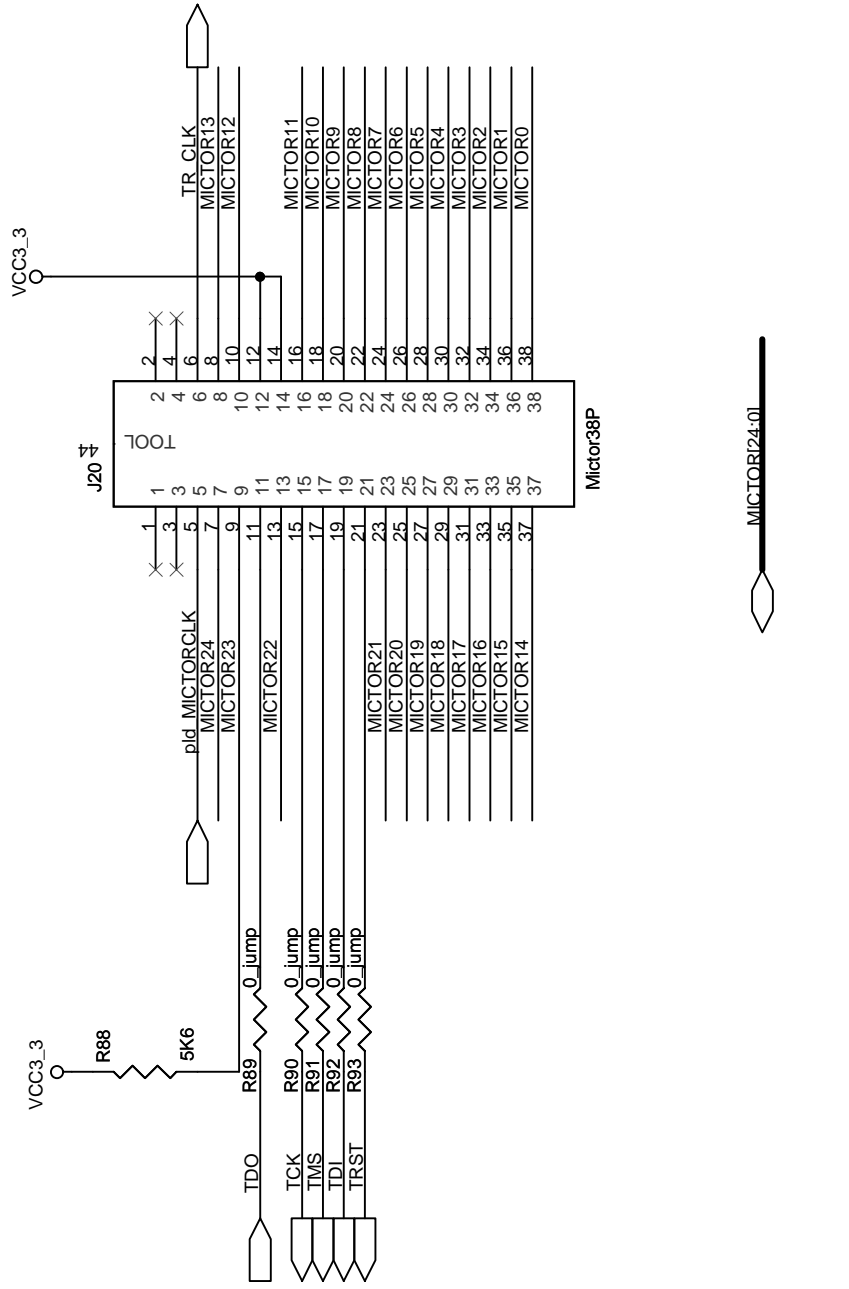
Flash chip is 16M x 8 for 16Mbytes of flash



<Core Design>
Altera Corp.
 110 Cooper Street, Suite 201, Santa Cruz, CA, 95060

Title DSP Pro Stratik II 2S 180 (Maine Pro)
 Size Document Number
 Customer P08-10217-01
 Date Thursday, August 18, 2005 Sheet 15 of 40

Mictor Connector



<Core Design>

Altera Corp.

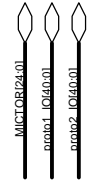
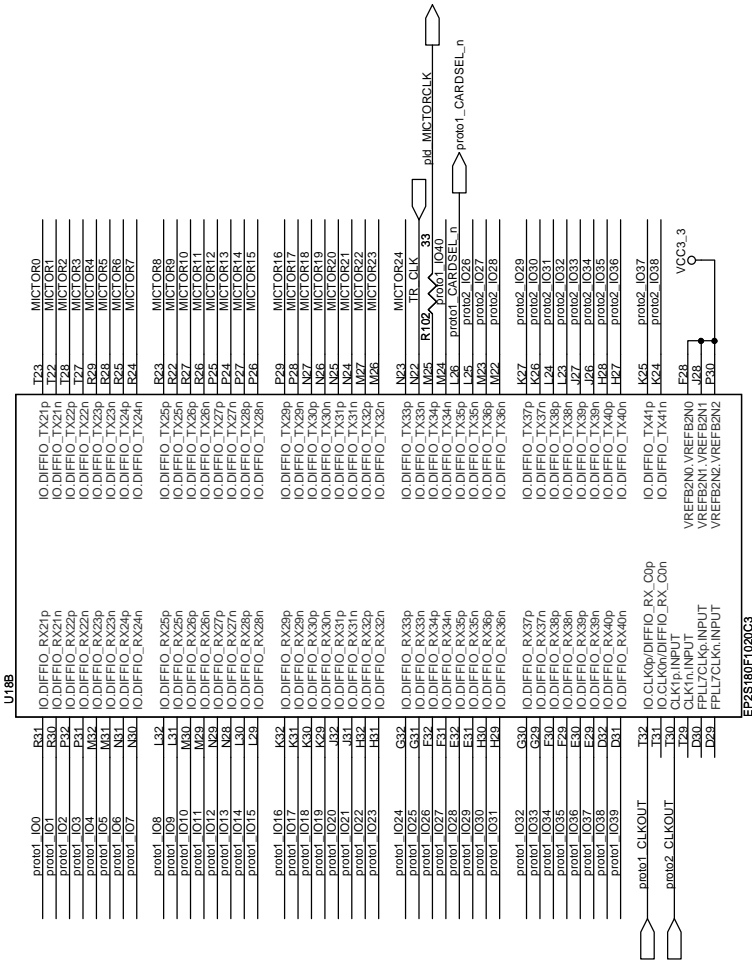
110 Cooper Street, Suite 201, Santa Cruz, CA, 95060

Title DSP Pro Stratix II 2S180 (Maine Pro)

Size A Document Number P06-10217-01

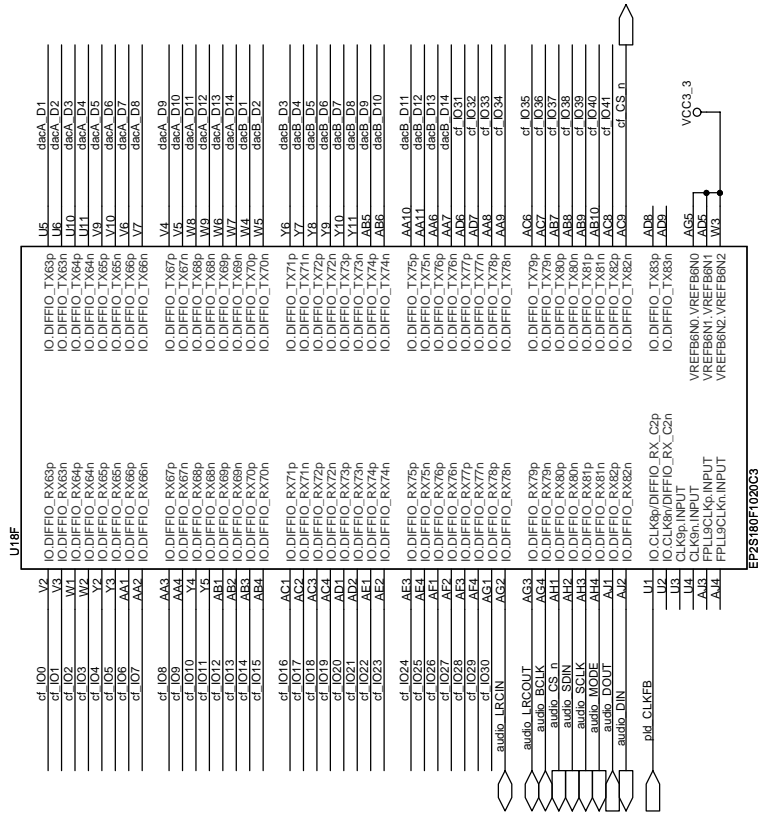
Rev 01

Date: Thursday, August 18, 2005 Sheet 16 of 40



<Core Design>
Altera Corp.
 110 Cooper Street, Suite 201, Santa Cruz, CA, 95060
 Title DSP Pro Strata II 2S180 (Maine Pro)
 Size B Document Number P06-10217-01
 Date: Thursday, August 18, 2005 Sheet 18 of 40

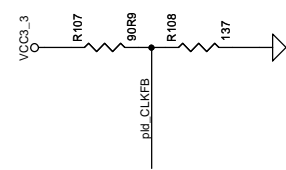
EP2S180F1020C3

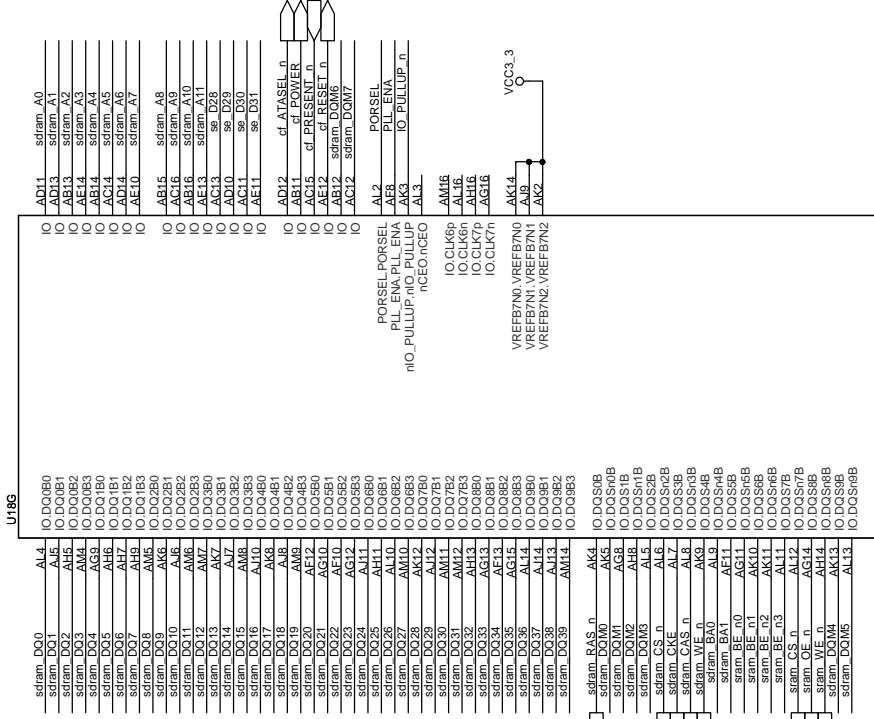


<Core Design>
Altera Corp.
 110 Cooper Street, Suite 201, Santa Cruz, CA, 95060

Title DSP Pro Strata II 2S180 (Maine Pro)
 Size B Document Number P06-10217-01
 Date: Thursday, August 18, 2005 Sheet 22 of 40

EP2S180F1020C3





EP2K100C3

- sa_D14:0
- sram_DQ163:0
- sram_A11:0
- sram_BA1:0
- sram_DQM7:0
- sram_BE_n[3:0]

<Core Design>

Altera Corp.

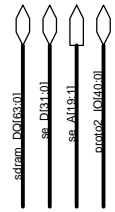
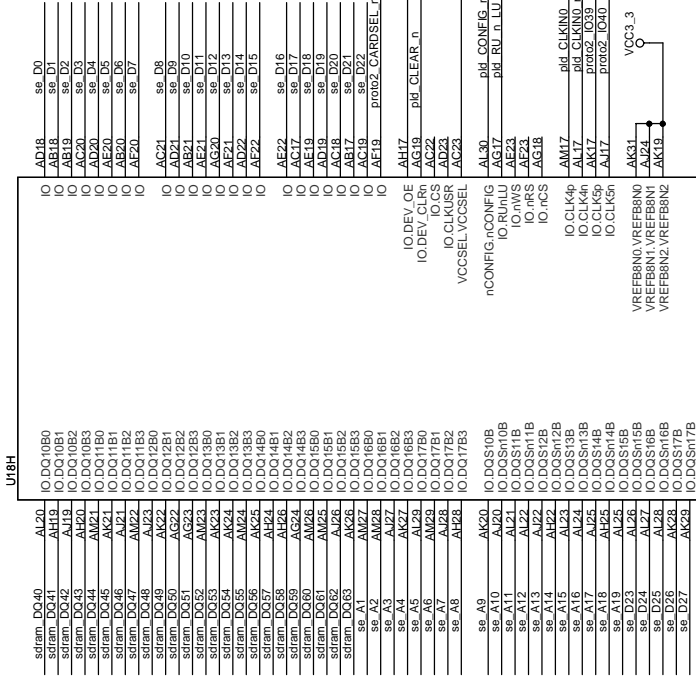
110 Cooper Street, Suite 201, Santa Cruz, CA, 95060

Title DSP Pro Strata II 2S180 (Maine Pro)

Size B Document Number P06-10217-01

Date: Thursday, August 18, 2005

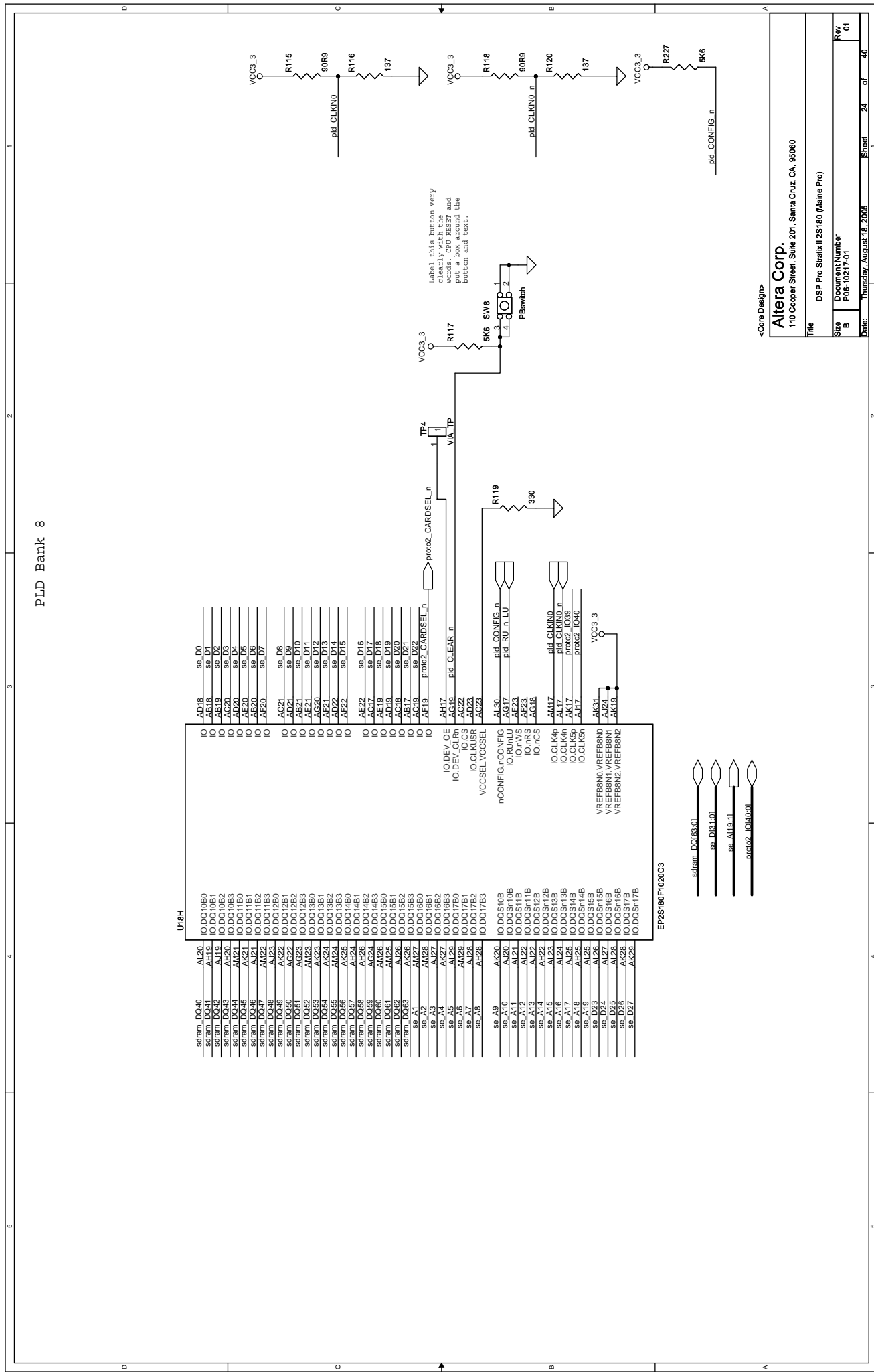
Sheet 23 of 40



<Core Design>

Altera Corp.
 110 Cooper Street, Suite 201, Santa Cruz, CA, 95060

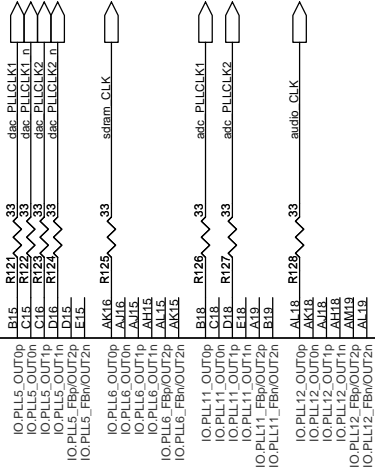
Title	DSP Pro Strata II 2S180 (Maine Pro)
Size	Document Number
B	P06-10217-01
Date:	Thursday, August 18, 2005
Sheet	24 of 40
Rev	01



U18J

- L28 NC
- ADA NC
- AE28 NC
- G28 NC
- M27 NC
- AC29 NC
- AC30 NC
- AD3 NC
- J28 NC
- L27 NC
- W26 NC
- M10 NC
- M11 NC
- F2 NC
- M13 NC
- M14 NC
- W22 NC
- AE27 NC
- AD30 NC
- AE3 NC
- AE6 NC
- AE5 NC
- AE8 NC
- AE14 NC
- G19 NC
- G21 NC
- AG26 NC
- H1 NC
- F26 NC
- G8 NC
- H8 NC
- H9 NC
- H8 NC

EP2K100F1020C3



<Core Design>

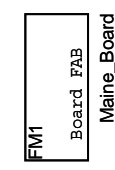
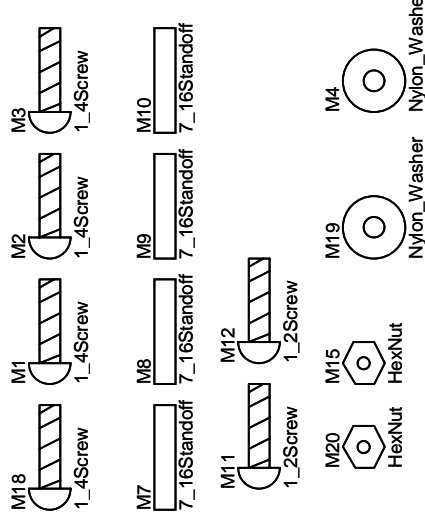
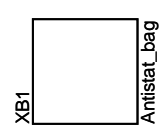
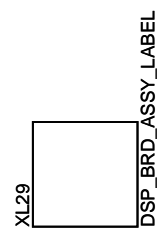
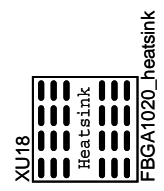
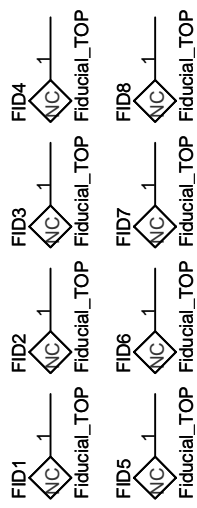
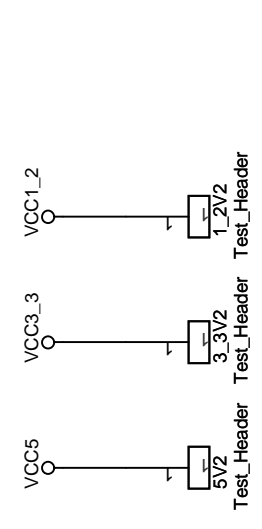
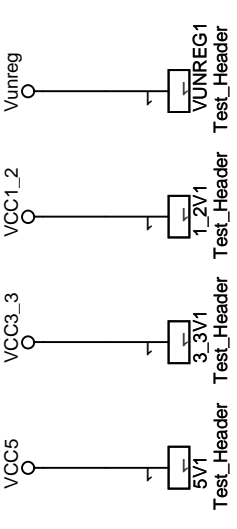
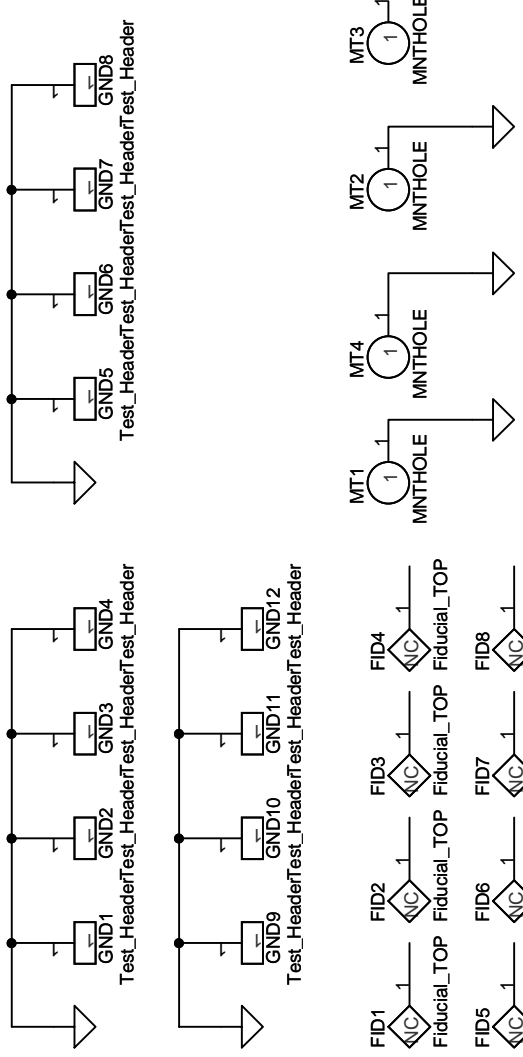
Altera Corp.
 110 Cooper Street, Suite 201, Santa Cruz, CA, 95060

Title DSP Fio Strata II 2S180 (Maine Fio)

Size	Document Number	Rev
B	P06-10217-01	01

Date: Thursday, August 18, 2005 Sheet 25 of 40

Reset and Test headers



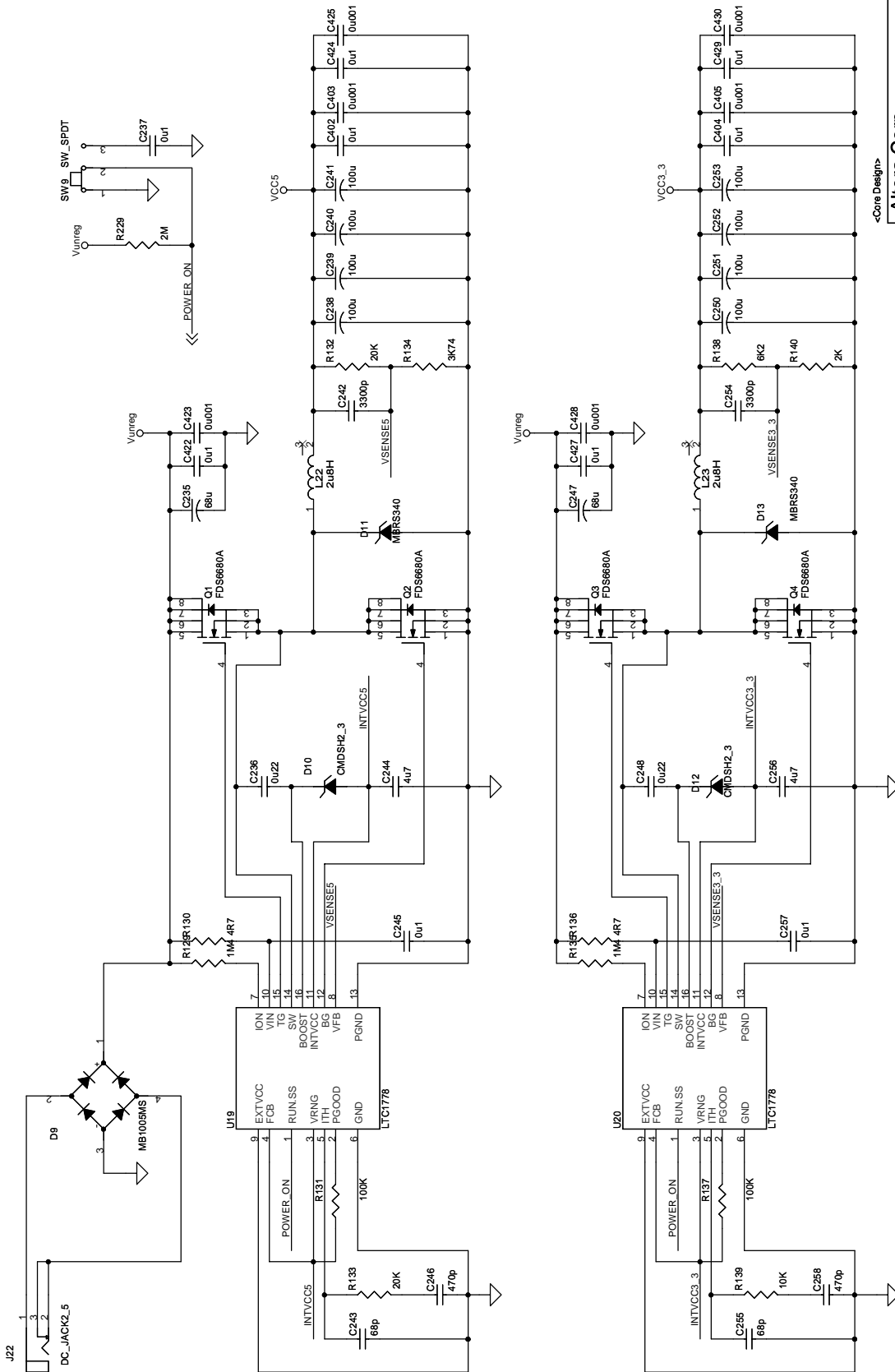
<Core Design>

Altera Corp.
110 Cooper Street, Suite 201, Santa Cruz, CA, 95060

Title
DSP Pro Stratix II 2S180 (Maine Pro)

Size	Document Number	Rev
A	P06-10217-01	01

Date:	Thursday, August 18, 2005	Sheet	28	of	40
-------	---------------------------	-------	----	----	----



<Core Design>

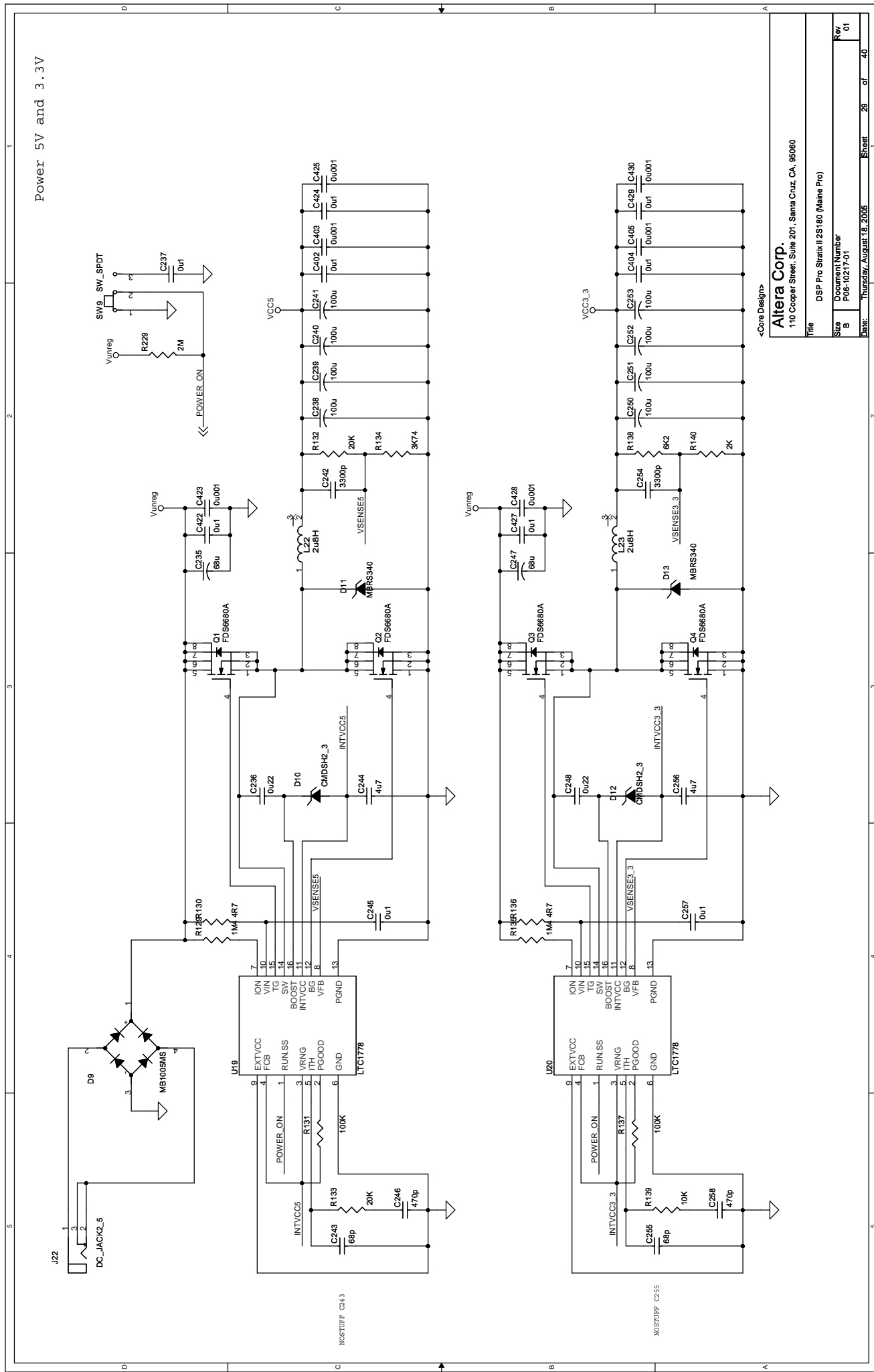
Altera Corp.

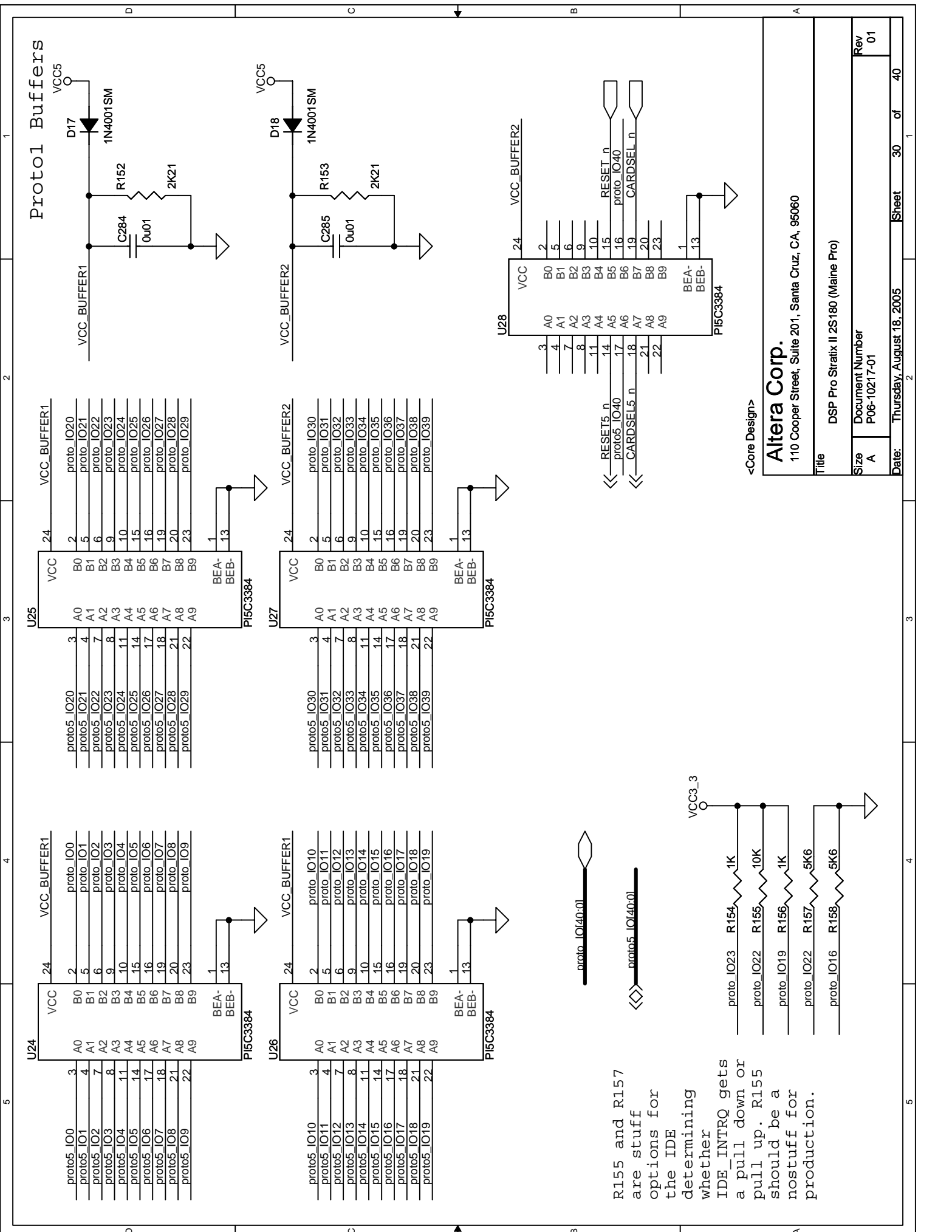
110 Cooper Street, Suite 201, Santa Cruz, CA, 95060

Title DSP Pro Strata II 2S180 (Maine Pro)

Size B Document Number P06-10217-01

Date: Thursday, August 18, 2005 Sheet 29 of 40





Proto1 Buffers

<Core Design>

Altera Corp.
110 Cooper Street, Suite 201, Santa Cruz, CA, 95060

Title DSP Pro Stratrix II 2S180 (Maine Pro)

Size A

Document Number P06-10217-01

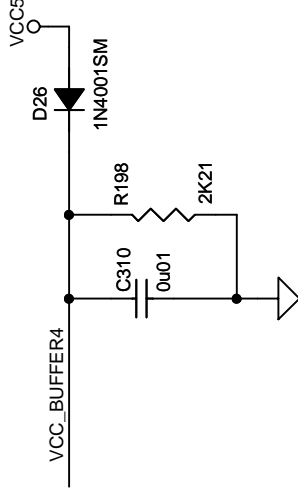
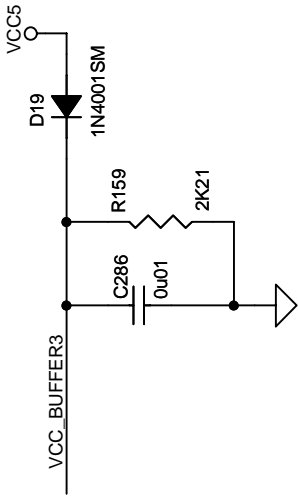
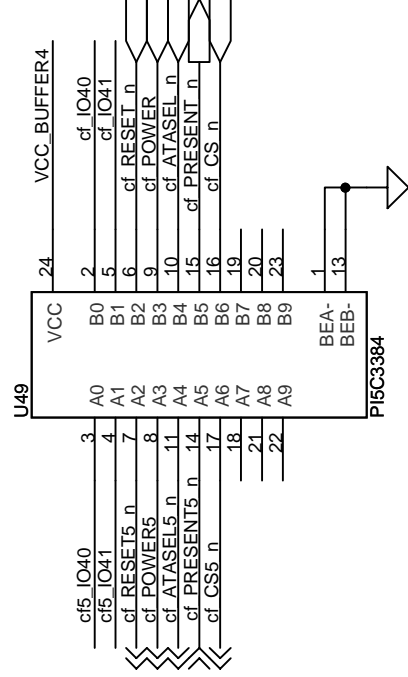
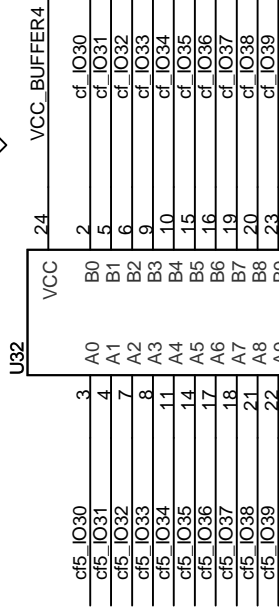
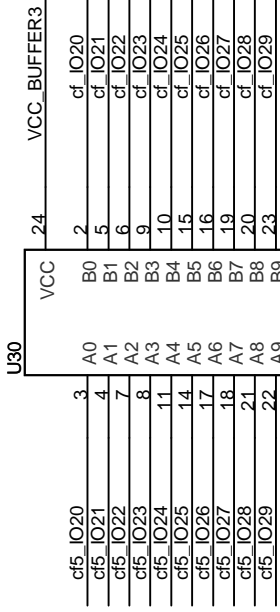
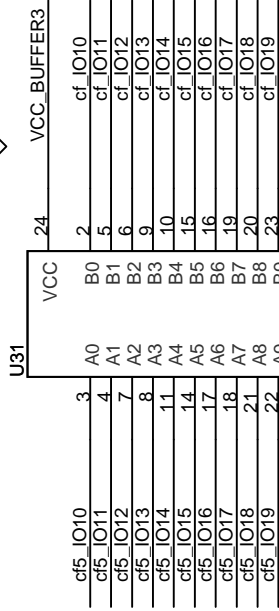
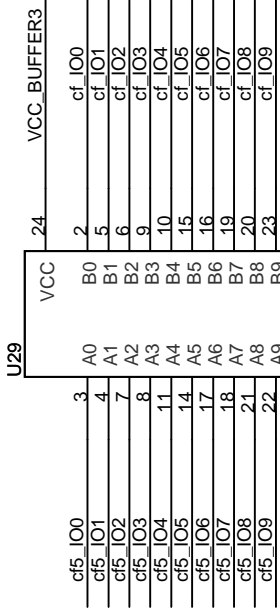
Rev 01

Date: Thursday, August 18, 2005

Sheet 30 of 40

R155 and R157 are stuff options for the IDE determining whether IDE_INTRQ gets a pull down or pull up. R155 should be a nostuff for production.

Proto1 Buffers



cf5_IO[41:0]

cf_IO[41:0]

<Core Design>

Altera Corp.
110 Cooper Street, Suite 201, Santa Cruz, CA, 95060

Title
DSP Pro Stratix II 2S180 (Maine Pro)

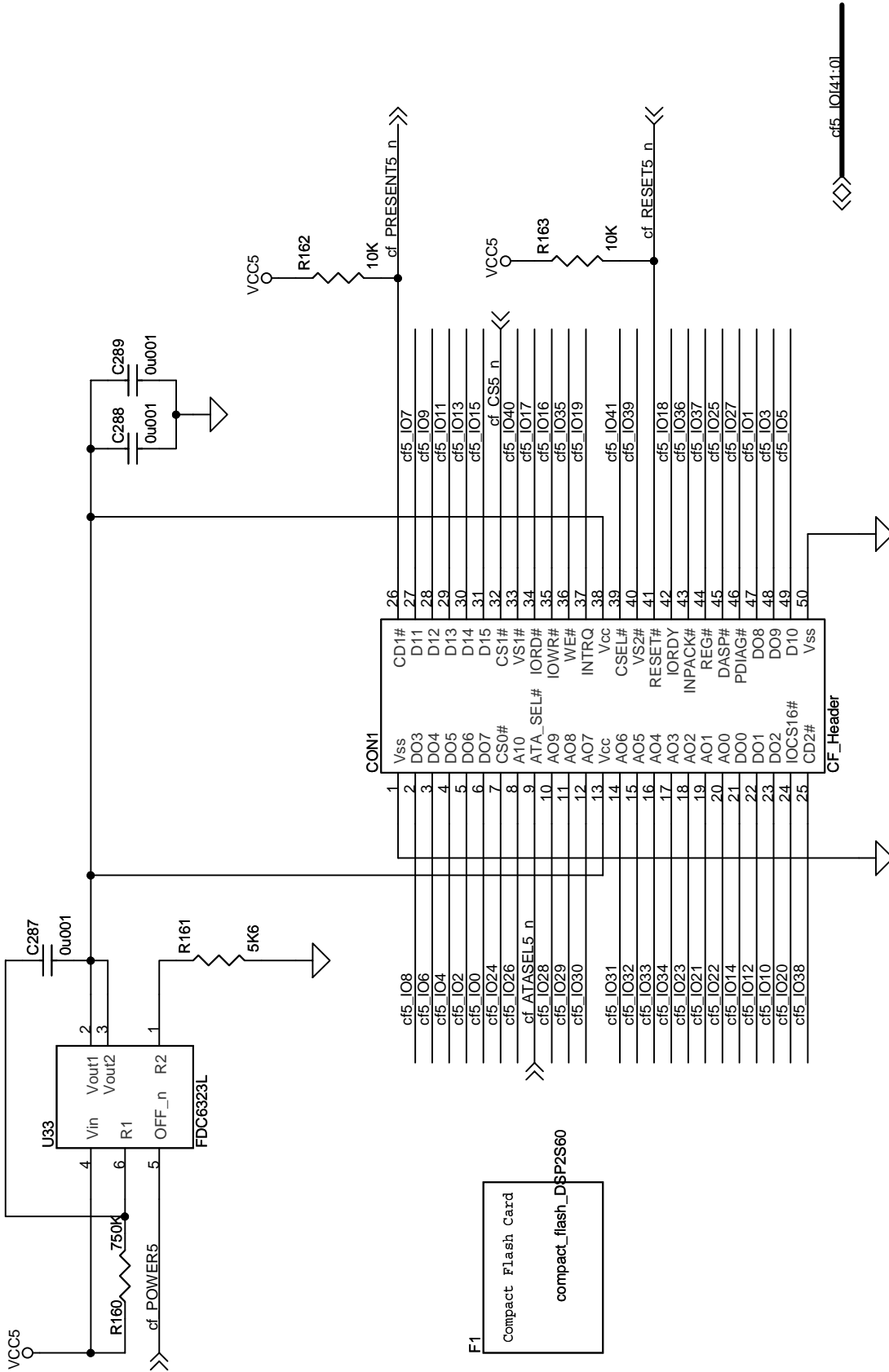
Size
A

Document Number
P06-10217-01

Date: Thursday, August 18, 2005

Sheet 31 of 40

Compact Flash Socket



<Core Design>

Altera Corp.

110 Cooper Street, Suite 201, Santa Cruz, CA, 95060

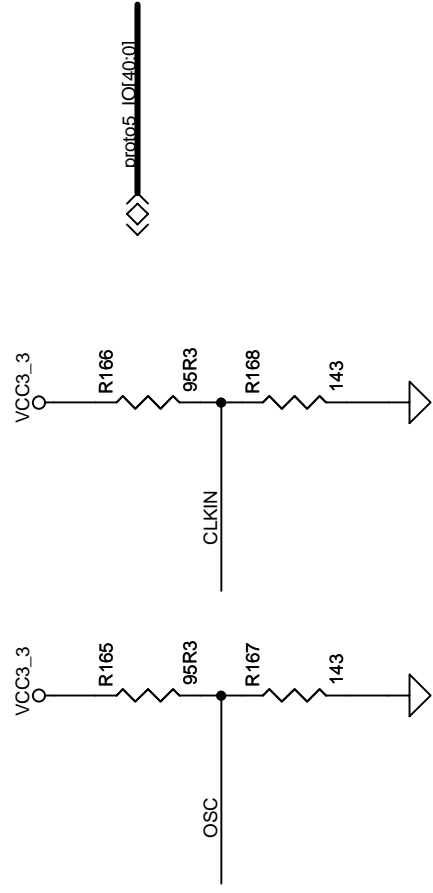
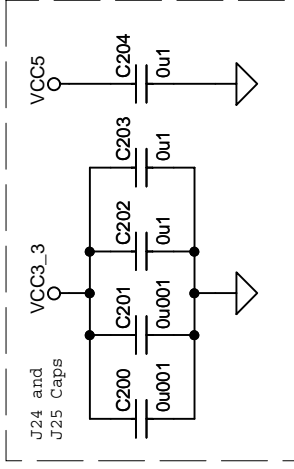
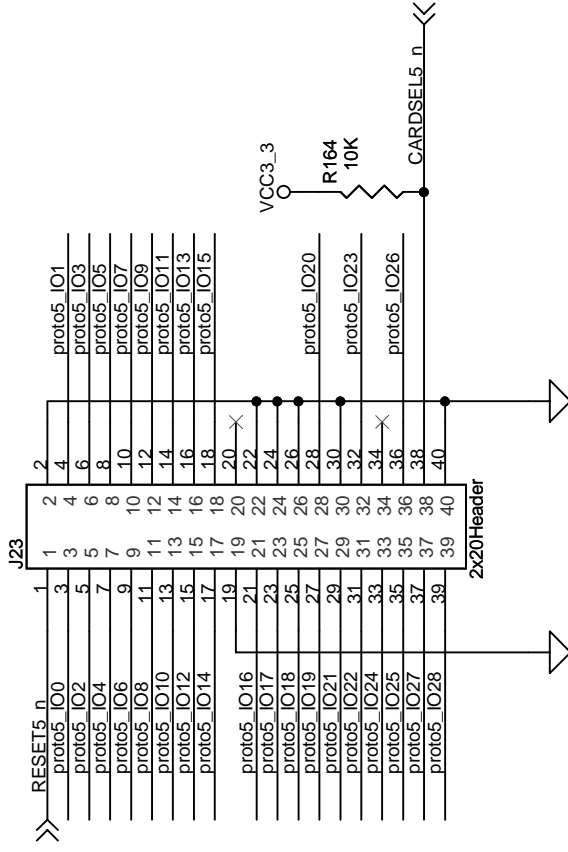
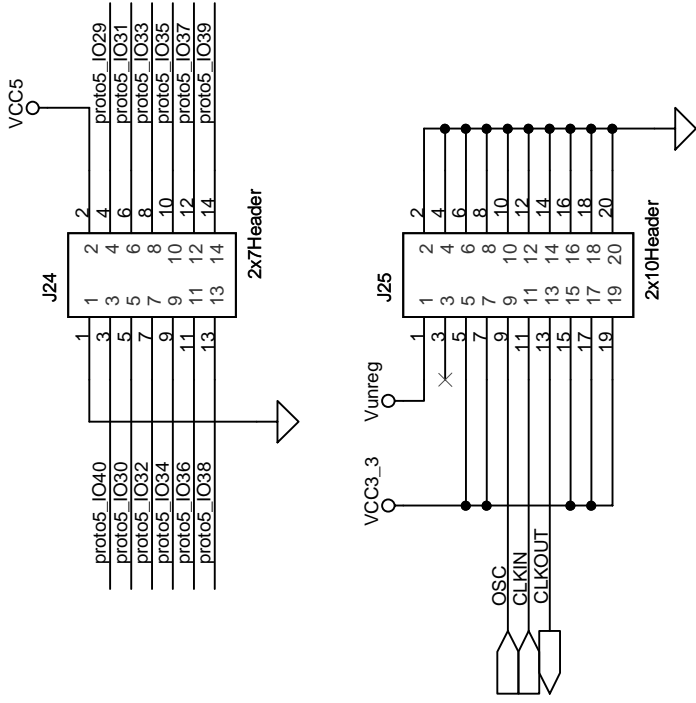
Title DSP Pro Stratix II 2S180 (Maine Pro)

Size A Document Number P06-10217-01

Rev 01

Date: Thursday, August 18, 2005 Sheet 32 of 40

Protocard 1



<Core Design>

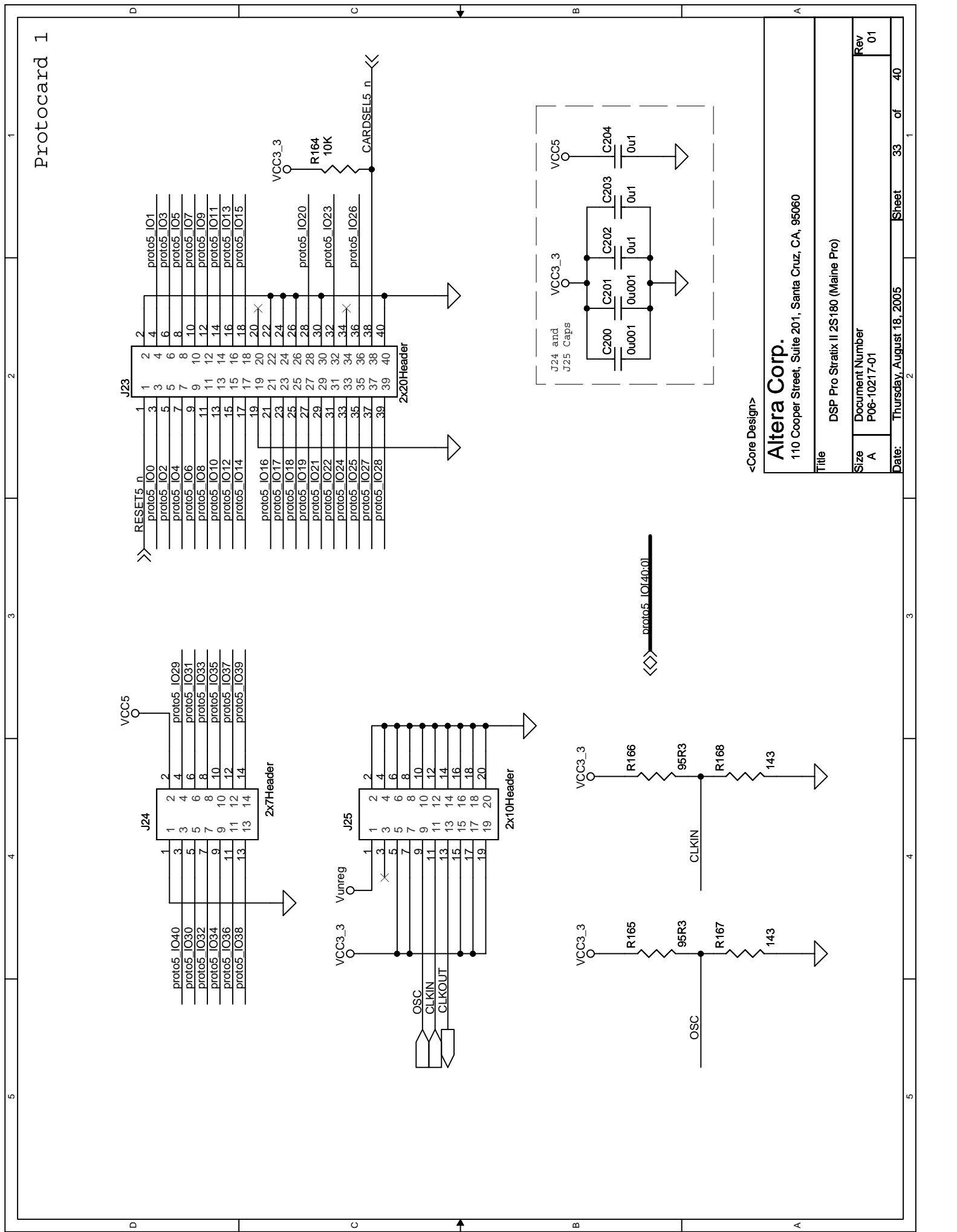
Altera Corp.

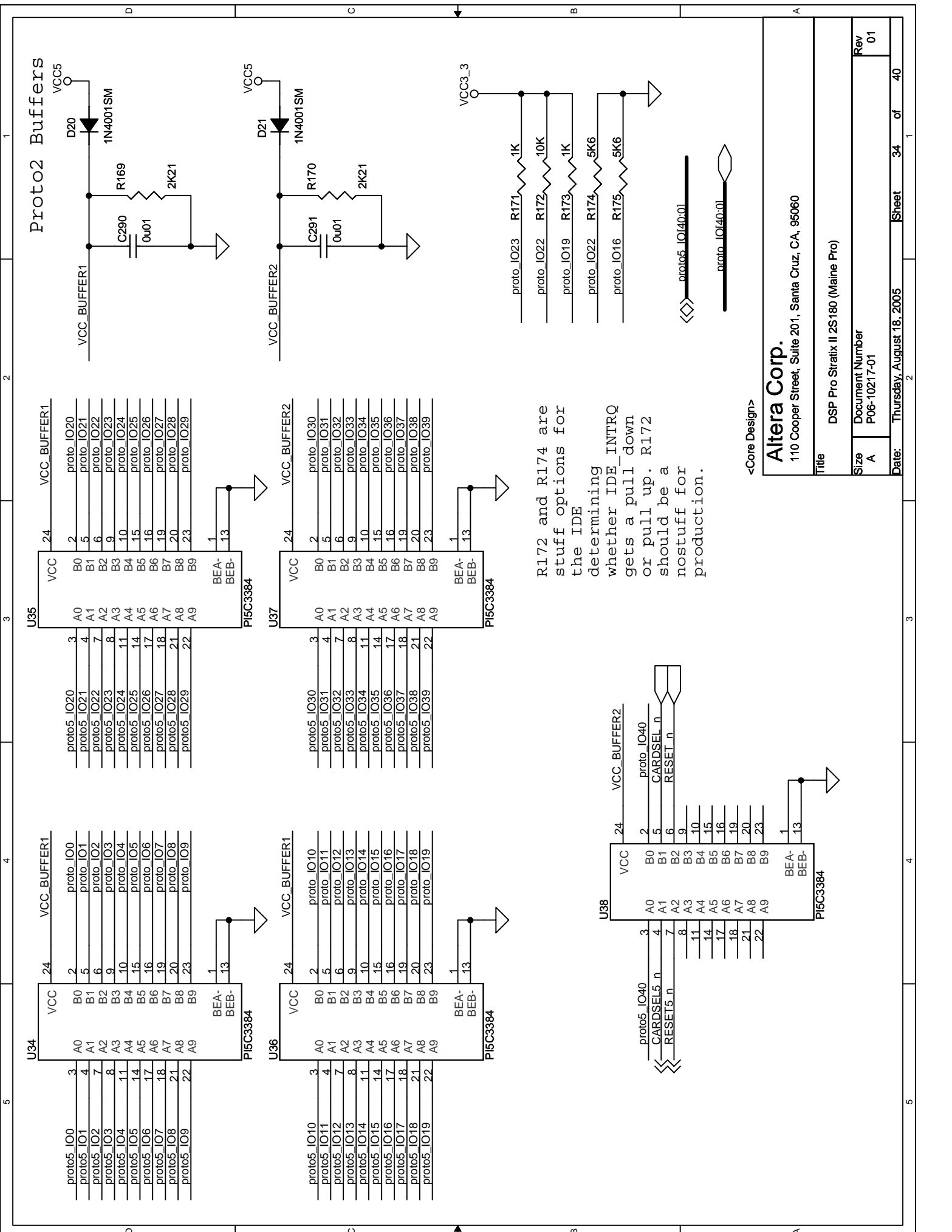
110 Cooper Street, Suite 201, Santa Cruz, CA, 95060

Title DSP Pro Stratix II 2S180 (Maine Pro)

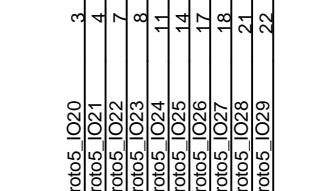
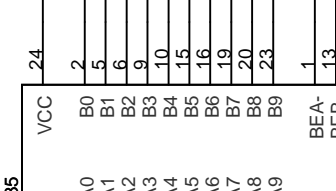
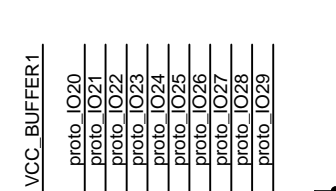
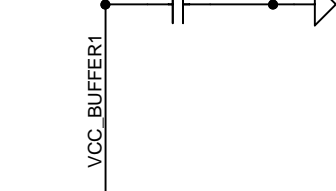
Size A Document Number P06-10217-01

Date: Thursday, August 18, 2005 Sheet 33 of 40





Proto2 Buffers



VCC_BUFFER1	
2	proto_IO20
5	proto_IO21
6	proto_IO22
9	proto_IO23
10	proto_IO24
15	proto_IO25
16	proto_IO26
19	proto_IO27
20	proto_IO28
23	proto_IO29

VCC_BUFFER2	
2	proto_IO30
5	proto_IO31
6	proto_IO32
9	proto_IO33
10	proto_IO34
15	proto_IO35
16	proto_IO36
19	proto_IO37
20	proto_IO38
23	proto_IO39

VCC_BUFFER1	
3	proto5_IO20
4	proto5_IO21
7	proto5_IO22
8	proto5_IO23
11	proto5_IO24
14	proto5_IO25
17	proto5_IO26
18	proto5_IO27
21	proto5_IO28
22	proto5_IO29

VCC_BUFFER2	
3	proto5_IO30
4	proto5_IO31
7	proto5_IO32
8	proto5_IO33
11	proto5_IO34
14	proto5_IO35
17	proto5_IO36
18	proto5_IO37
21	proto5_IO38
22	proto5_IO39

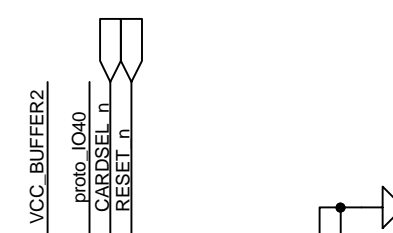
VCC_BUFFER1	
3	proto_IO0
4	proto_IO1
7	proto_IO2
8	proto_IO3
11	proto_IO4
14	proto_IO5
17	proto_IO6
18	proto_IO7
21	proto_IO8
22	proto_IO9

VCC_BUFFER1	
3	proto5_IO10
4	proto5_IO11
7	proto5_IO12
8	proto5_IO13
11	proto5_IO14
14	proto5_IO15
17	proto5_IO16
18	proto5_IO17
21	proto5_IO18
22	proto5_IO19

VCC_BUFFER1	
3	proto_IO10
4	proto_IO11
7	proto_IO12
8	proto_IO13
11	proto_IO14
14	proto_IO15
17	proto_IO16
18	proto_IO17
21	proto_IO18
22	proto_IO19

VCC_BUFFER1	
3	proto5_IO10
4	proto5_IO11
7	proto5_IO12
8	proto5_IO13
11	proto5_IO14
14	proto5_IO15
17	proto5_IO16
18	proto5_IO17
21	proto5_IO18
22	proto5_IO19

R172 and R174 are stuff options for the IDE determining whether IDE_INTRQ gets a pull down or pull up. R172 should be a nostuff for production.



<Core Design>

Altera Corp.
110 Cooper Street, Suite 201, Santa Cruz, CA, 95060

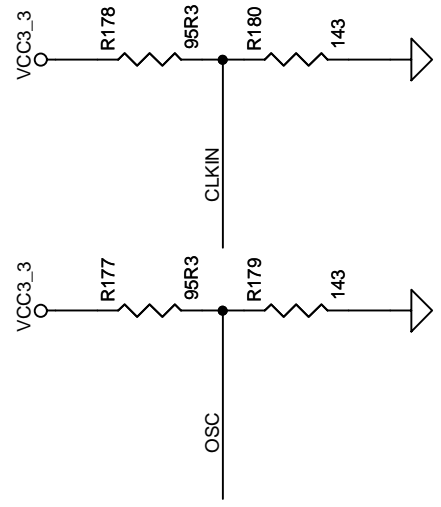
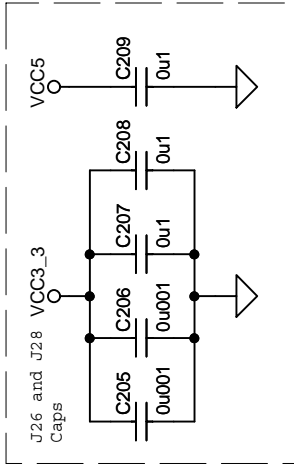
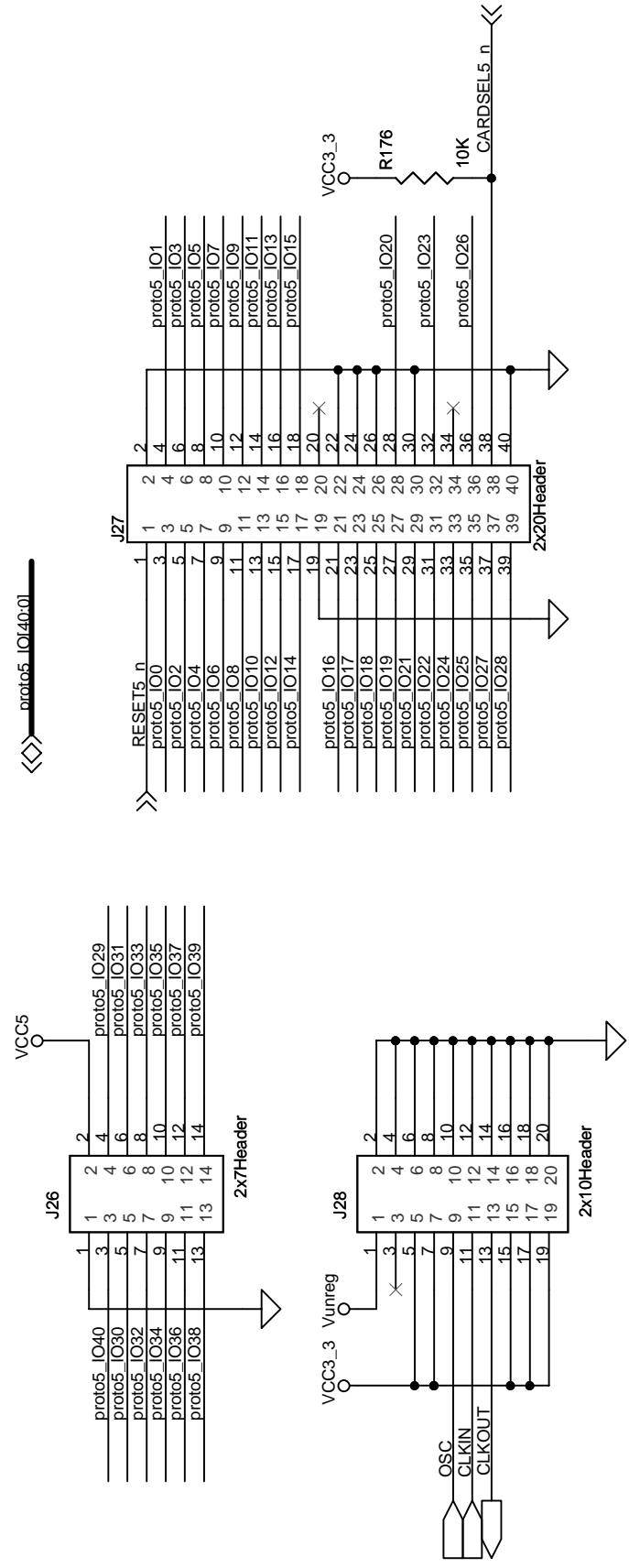
Title DSP Pro Stratrix II 2S180 (Maine Pro)

Size Document Number
A P06-10217-01

Rev 01

Date: Thursday, August 18, 2005 Sheet 34 of 40

Proto2 Headers



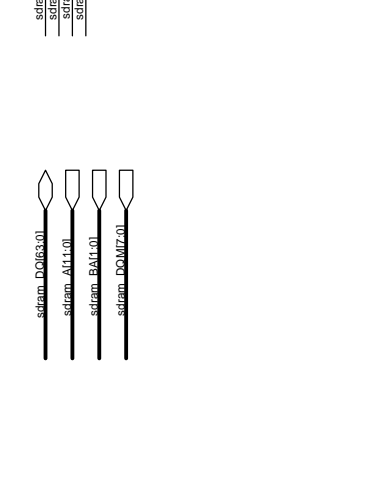
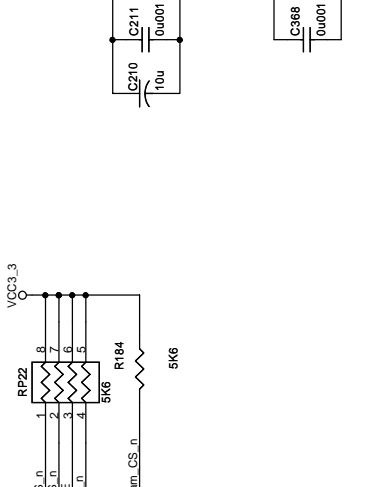
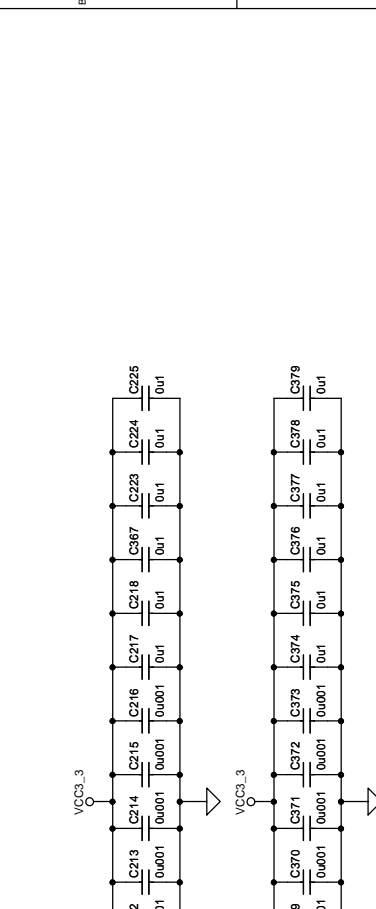
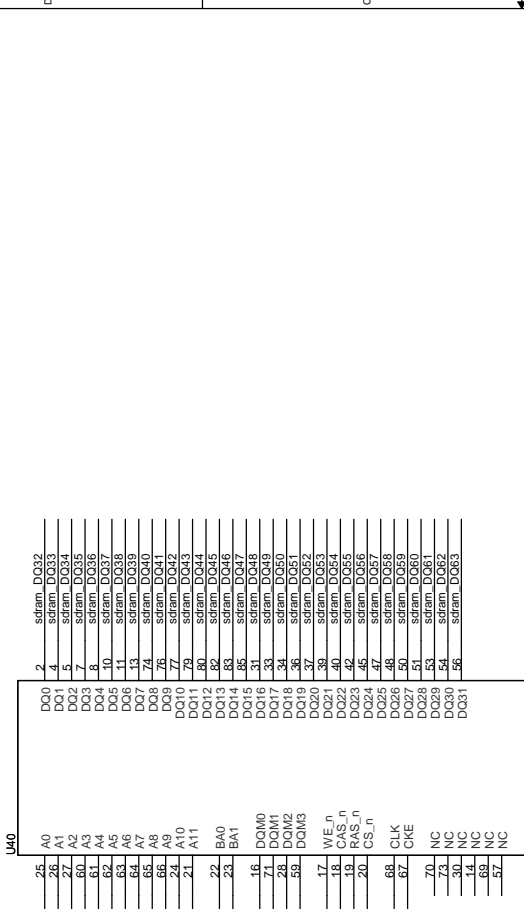
<Core Design>

Altera Corp.
 110 Cooper Street, Suite 201, Santa Cruz, CA, 95060

Title: DSP Pro Stratix II 2S180 (Maine Pro)

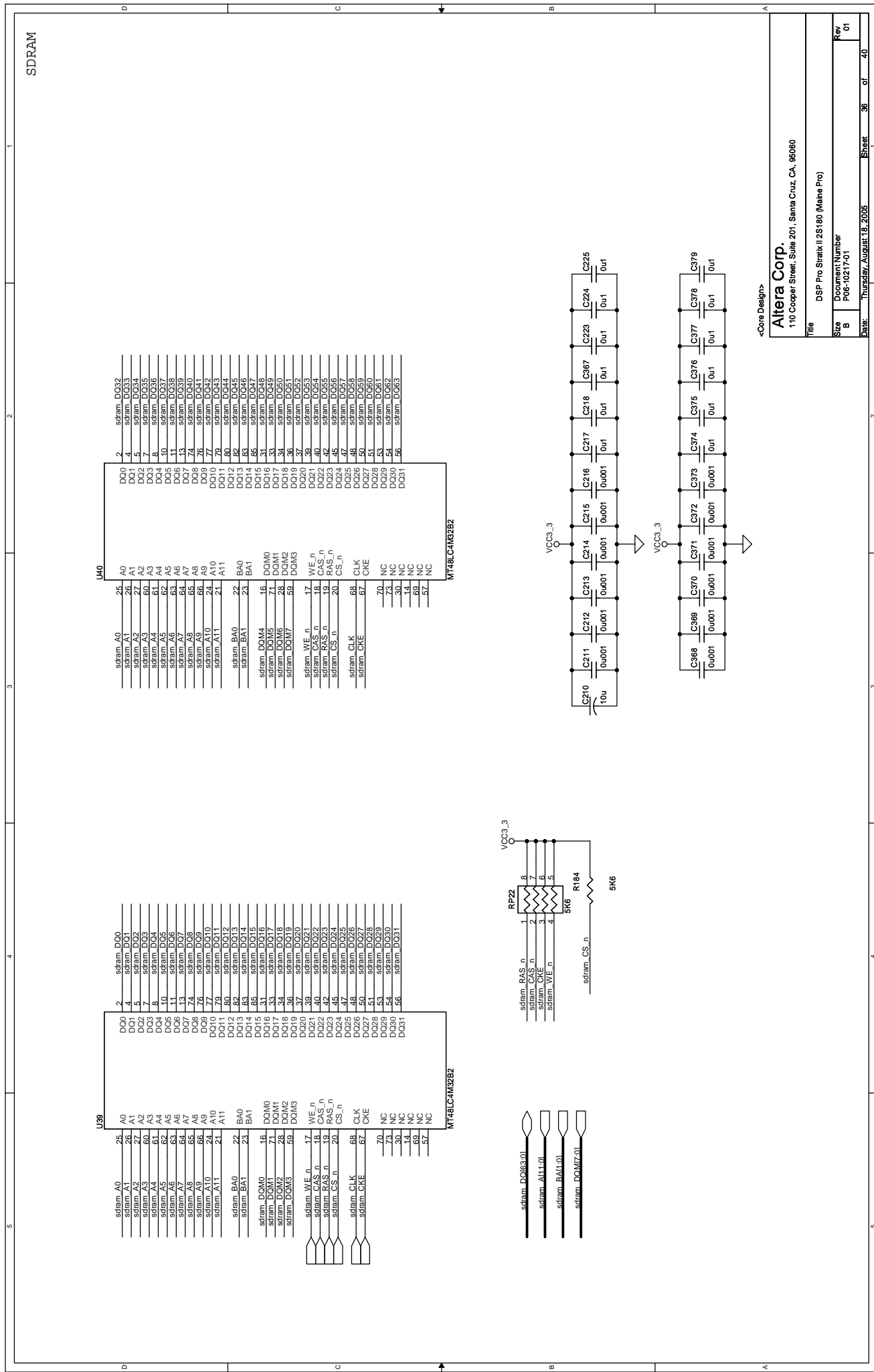
Size	Document Number
A	P06-10217-01
Rev	01

Date: Thursday, August 18, 2005 Sheet 35 of 40

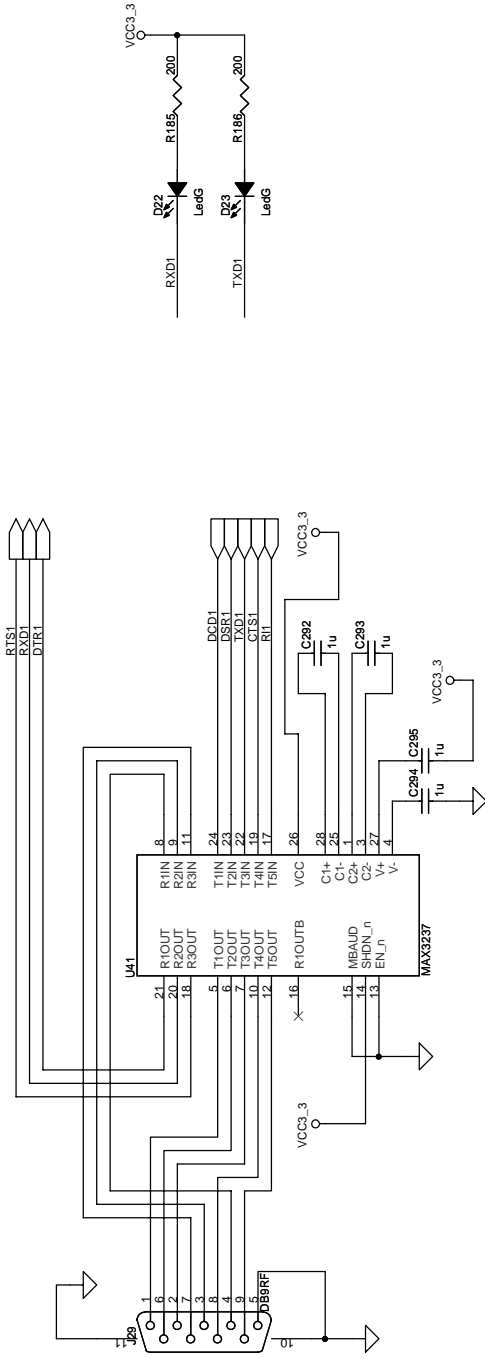


<Core Design>
Altera Corp.
 110 Cooper Street, Suite 201, Santa Cruz, CA, 95060

Title	DSP Pro Strata II 2S180 (Maine Pro)
Size	Document Number
B	P06-10217-01
Date:	Thursday, August 18, 2005
Sheet	36 of 40
Rev	01



Serial Ports



<Core Design>

Altera Corp.

110 Cooper Street, Suite 201, Santa Cruz, CA, 95060

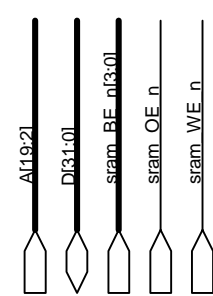
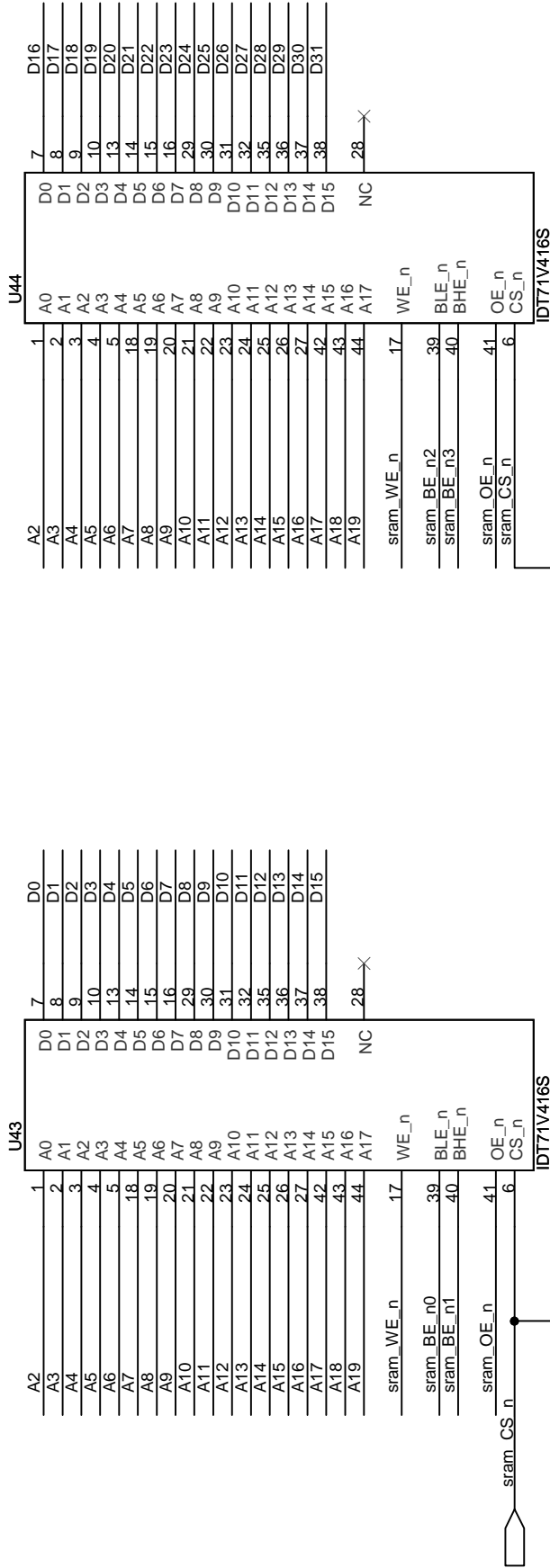
Title DSP Fio Strata II 2S180 (Maine Fio)

Size B Document Number P06-10217-01

Date: Thursday, August 18, 2005 Sheet 37 of 40

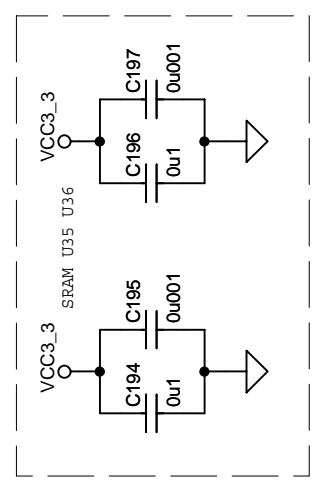
Rev 01

SRAM



One bank of 256K x 32 SRAM (two 256K x 16 parts in parallel) = 1Mbyte of SRAM

<Core Design>



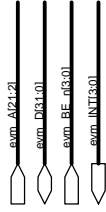
Altera Corp.
 110 Cooper Street, Suite 201, Santa Cruz, CA, 95060

Title: DSP Pro Stratix II 2S180 (Maine Pro)

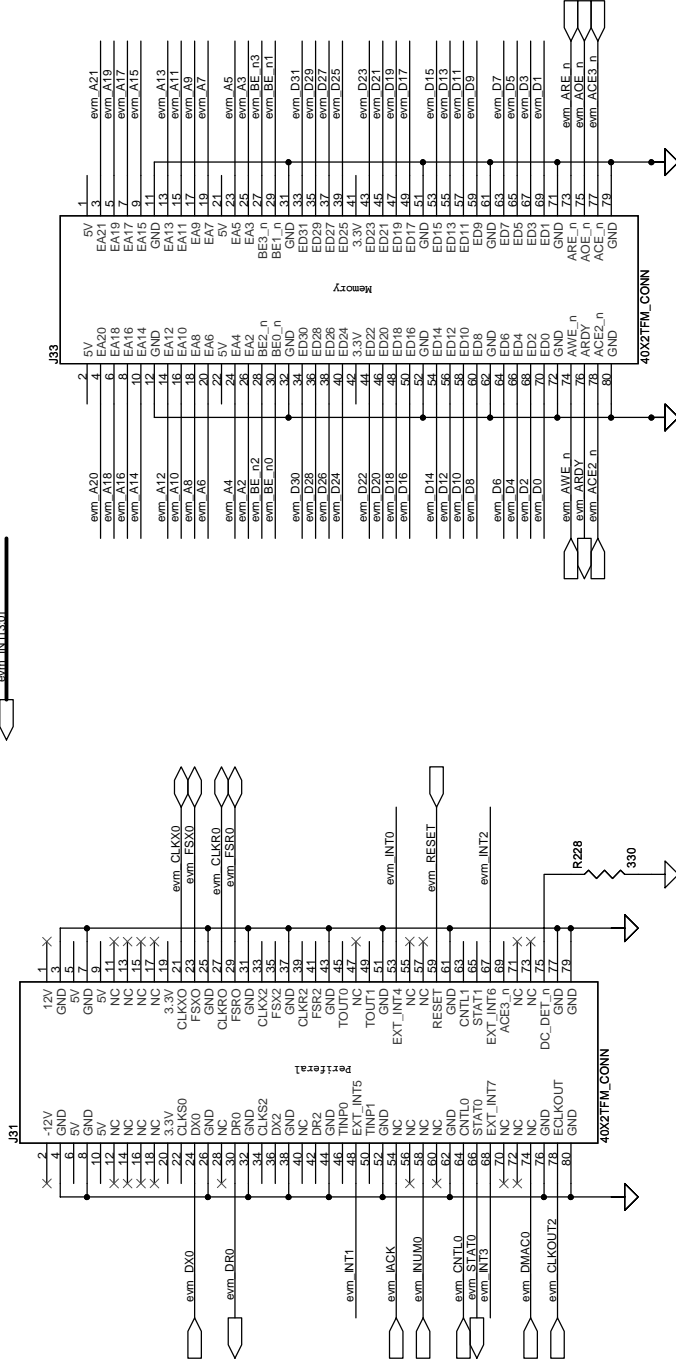
Size: A Document Number: P06-10217-01 Rev: 01

Date: Thursday, August 18, 2005 Sheet 38 of 40

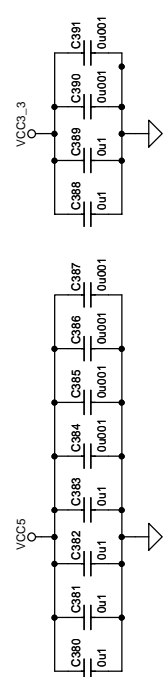
TI EVM Connector



3.00" apart



These connectors reference the TI 6416 board

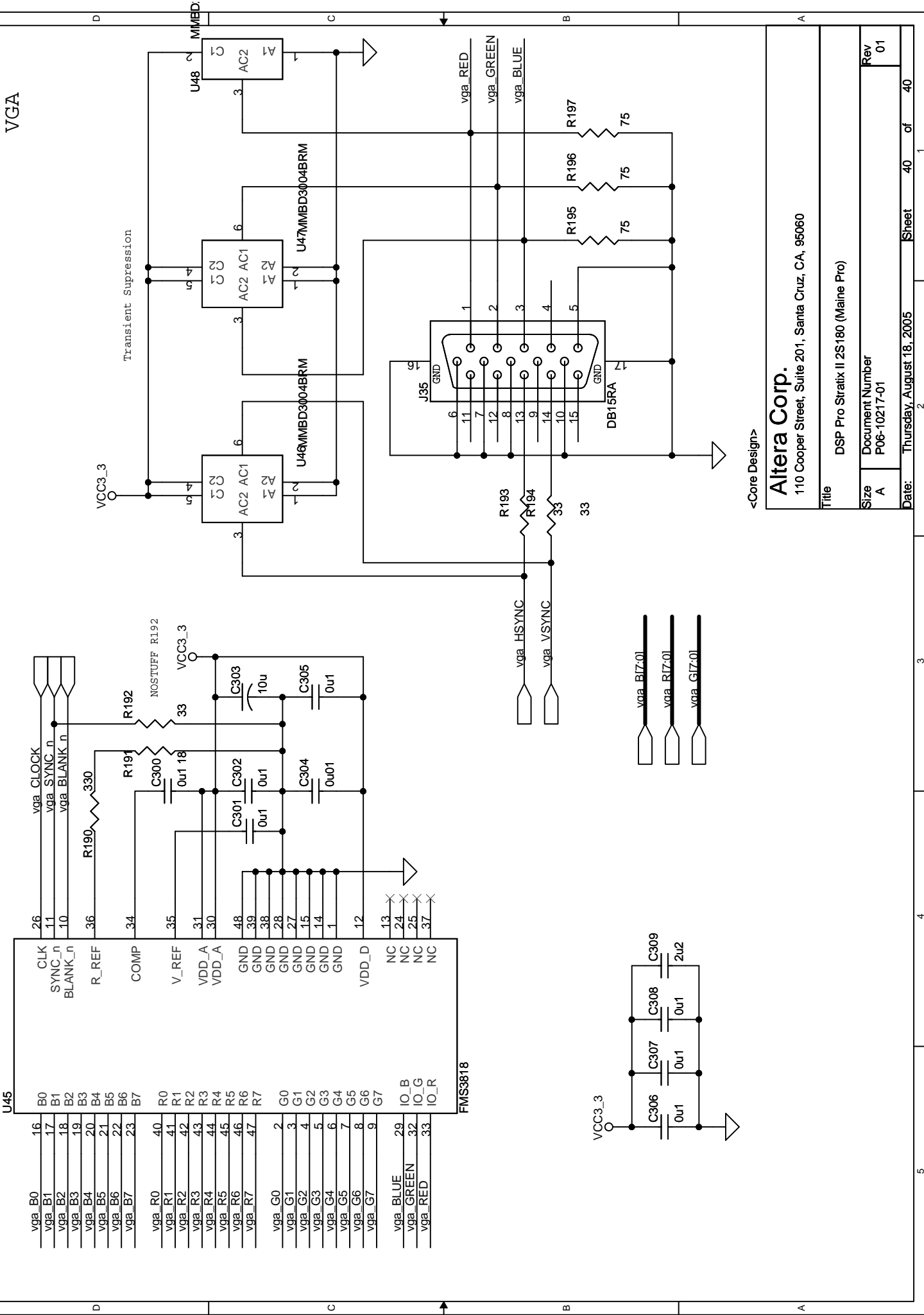


<Core Design>
Altera Corp.
 110 Cooper Street, Suite 201, Santa Cruz, CA, 95060

Title	DSP Pro Strata II 2S180 (Maine Pro)
Size	Document Number
B	P06-10217-01
Rev	01

Date: Thursday, August 18, 2005 Sheet 39 of 40

VGA



<Core Design>

Altera Corp.
110 Cooper Street, Suite 201, Santa Cruz, CA, 95060

Title DSP Pro Stratix II 2S180 (Maine Pro)

Size A Document Number P06-10217-01

Date: Thursday, August 18, 2005 Sheet 40 of 40

Rev 01

vga_B0	16	CLK	26
vga_B1	17	SYNC_n	11
vga_B2	18	BLANK_n	10
vga_B3	19		
vga_B4	20	R_REF	36
vga_B5	21	COMP	34
vga_B6	22	V_REF	35
vga_B7	23	VDD_A	31
vga_R0	40	VDD_A	30
vga_R1	41	GND	48
vga_R2	42	GND	39
vga_R3	43	GND	38
vga_R4	44	GND	28
vga_R5	45	GND	27
vga_R6	46	GND	15
vga_R7	47	GND	14
vga_G0	2	GND	1
vga_G1	3	VDD_D	12
vga_G2	4	NC	13
vga_G3	5	NC	24
vga_G4	6	NC	25
vga_G5	7	NC	37
vga_G6	8		
vga_G7	9		
vga_BLUE	29		
vga_GREEN	32		
vga_RED	33		

FMS3818

