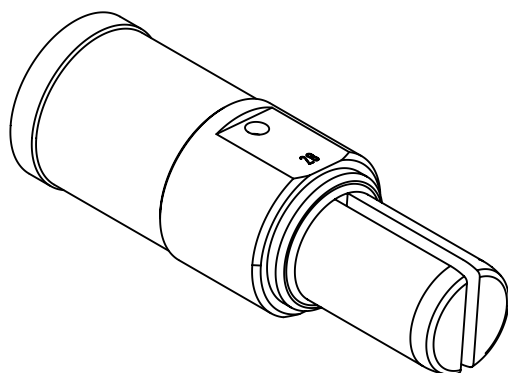
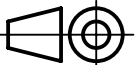



assembly notes see catalog
 crimp zone acc. to DIN EN 46235; indicator 28
 for stranded fine wire acc. to VDE 0295 class 5/ IEC 60228 class 5
 wire gauge: 240mm²
 stripping length: 46mm



 All Dimensions in mm Original Size DIN A4	Scale	Free size tol.			Ref.
	1:1				Sub.
 All rights reserved Department EL PD - DE	Created by	Inspected by	Standardisation	Date	State
	SCHULZI	SCHNIEDER	SCHMIDTM	2015-01-27	Final Release
HARTING Electric GmbH & Co. KG D-32339 Espelkamp	Title				Doc-Key / ECM-Nr.
	Han TC650 male contact 240mm ²				100172500/UGD/006/F 500000082399
Type	Number	Rev.			Page
TB	09 11 000 6167	F			1/1