



PART NAME

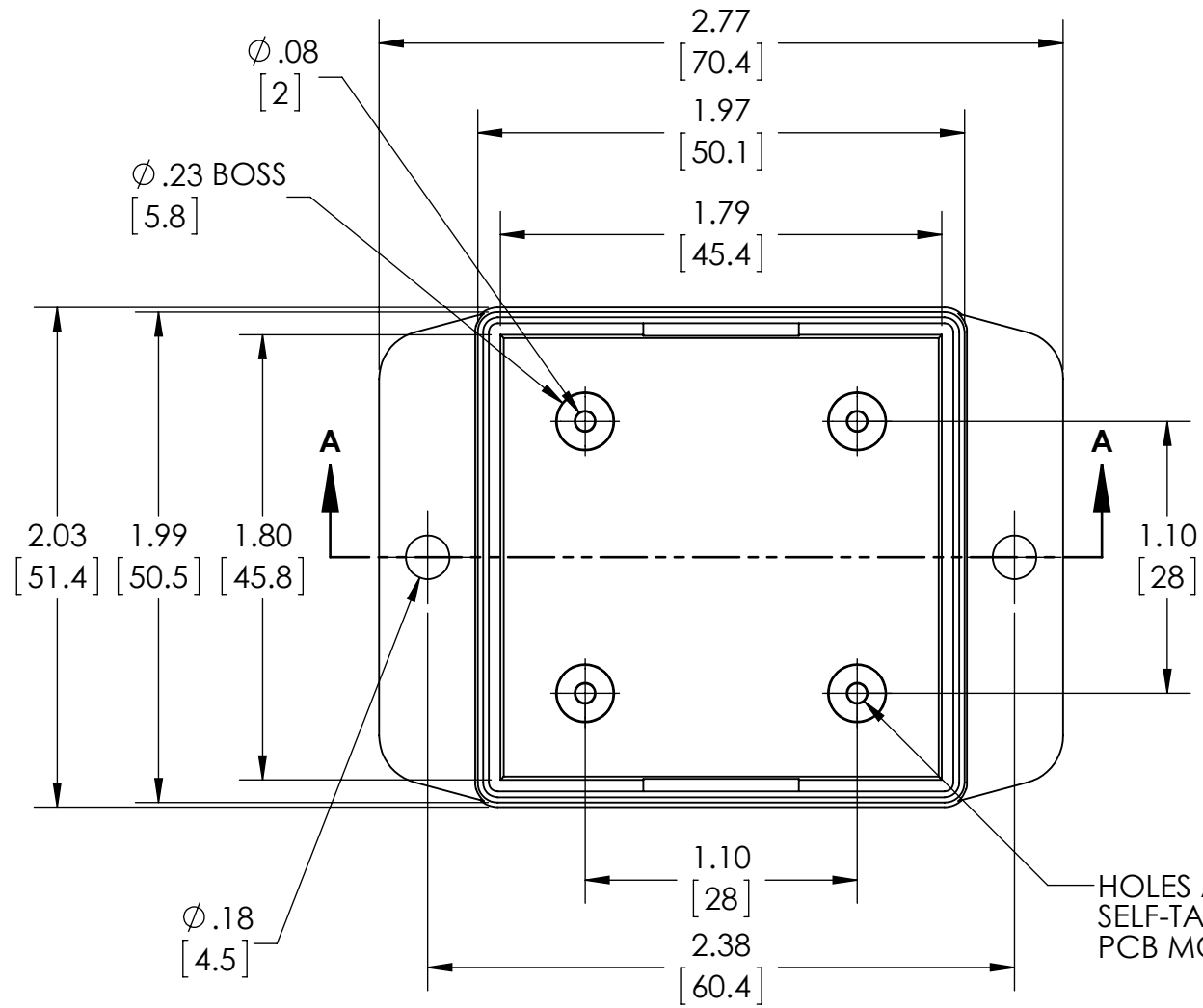
SNAP UTILITY BOX

PART No.

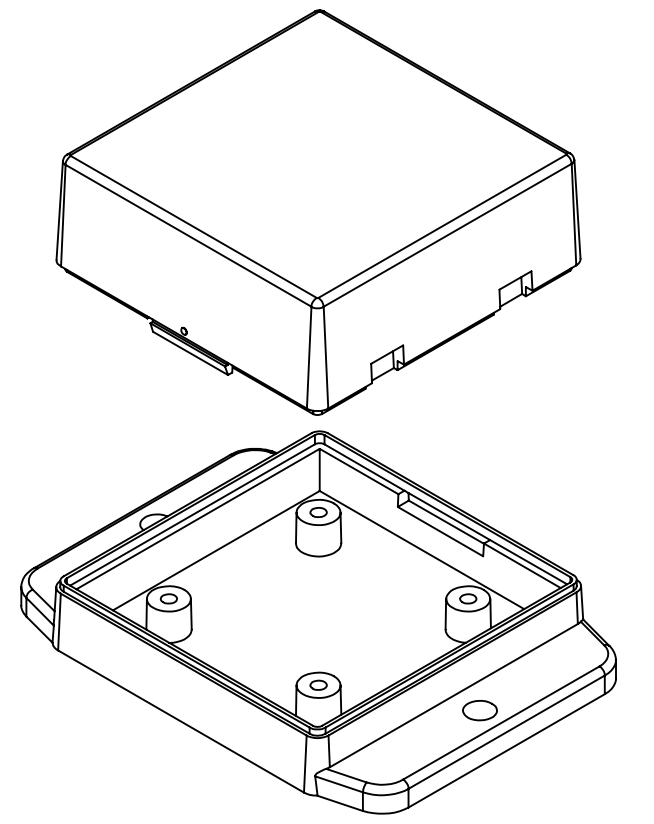
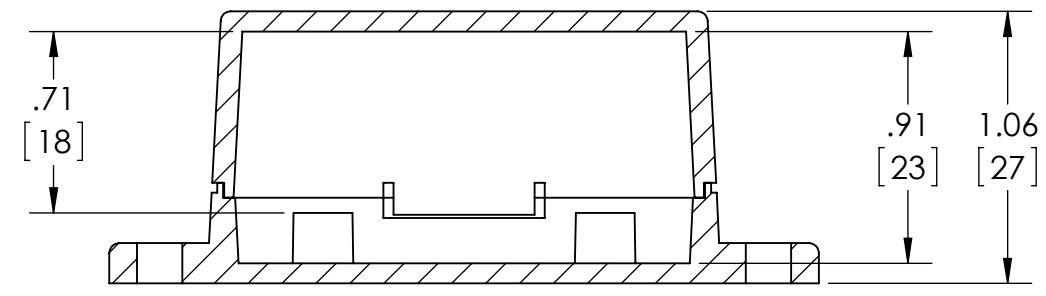
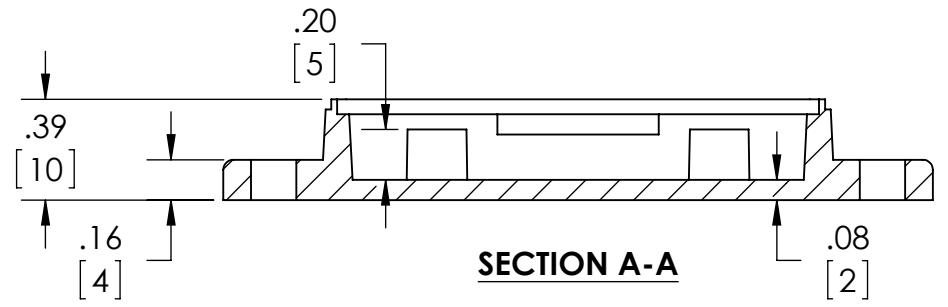
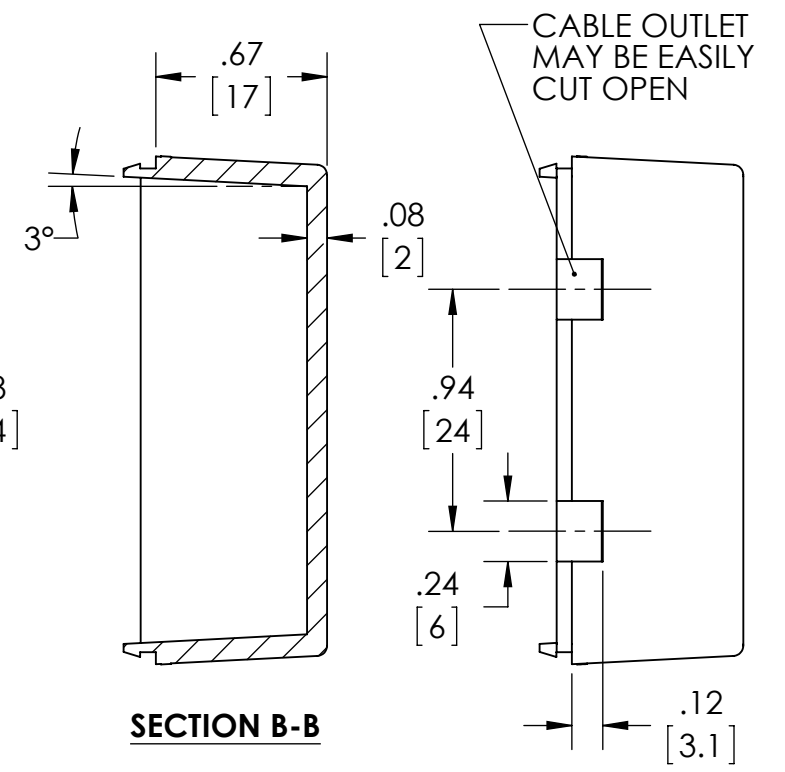
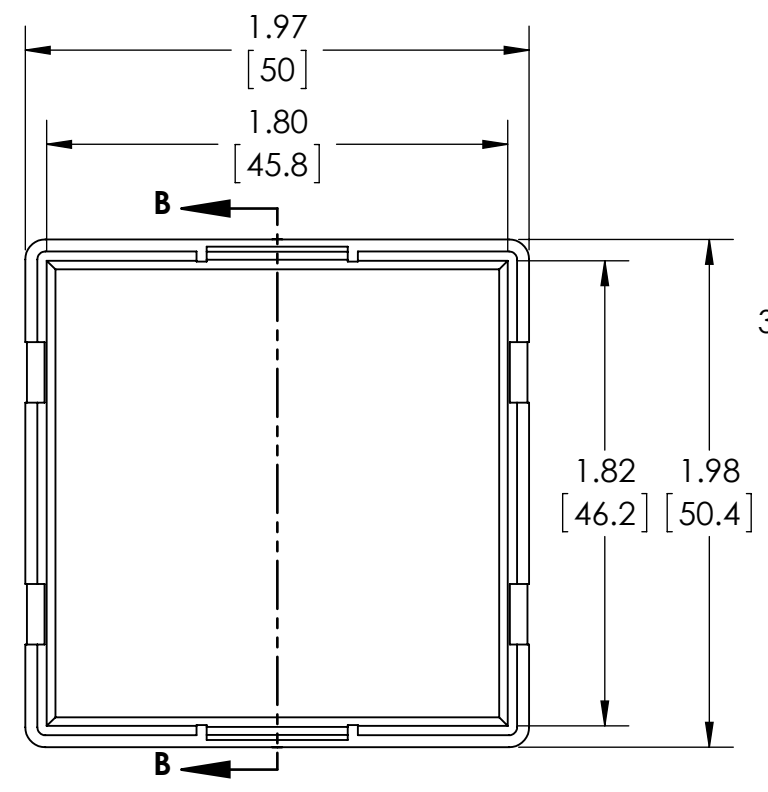
CU-18422-B CU-18422-W

REVISION DATE

10-7-14



Holes accept M2.6 x 6mm LG. SELF-TAPPING SCREWS FOR PCB MOUNTING



MATERIAL:
ABS UL94-HB

COLOR:
BLACK OR WHITE

DIMENSIONS IN INCH[MM]

DRAWING FOR REFERENCE