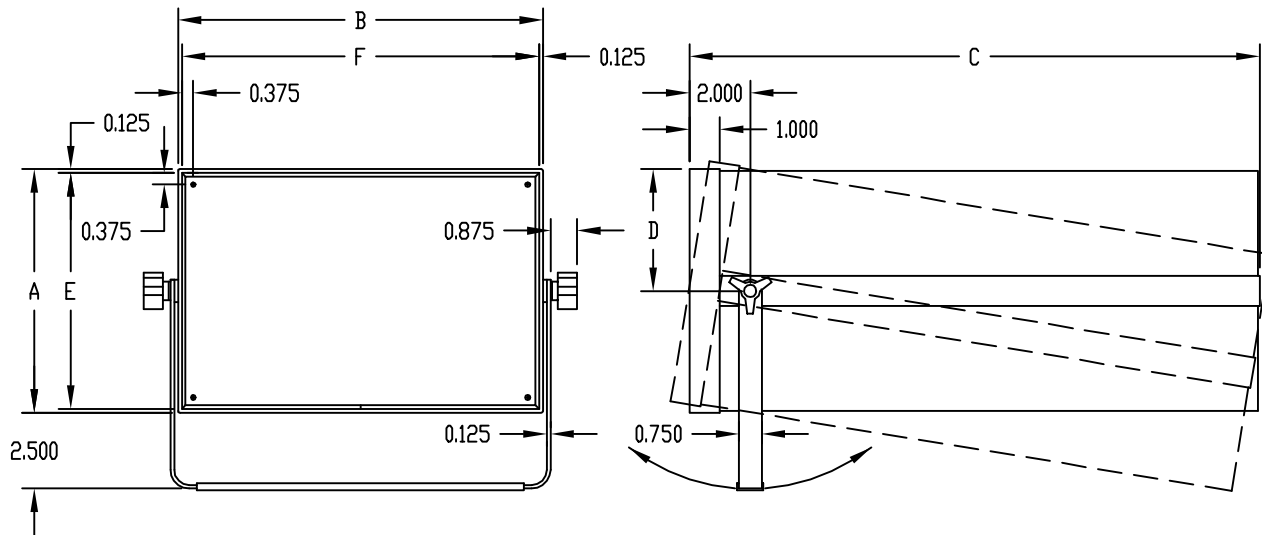
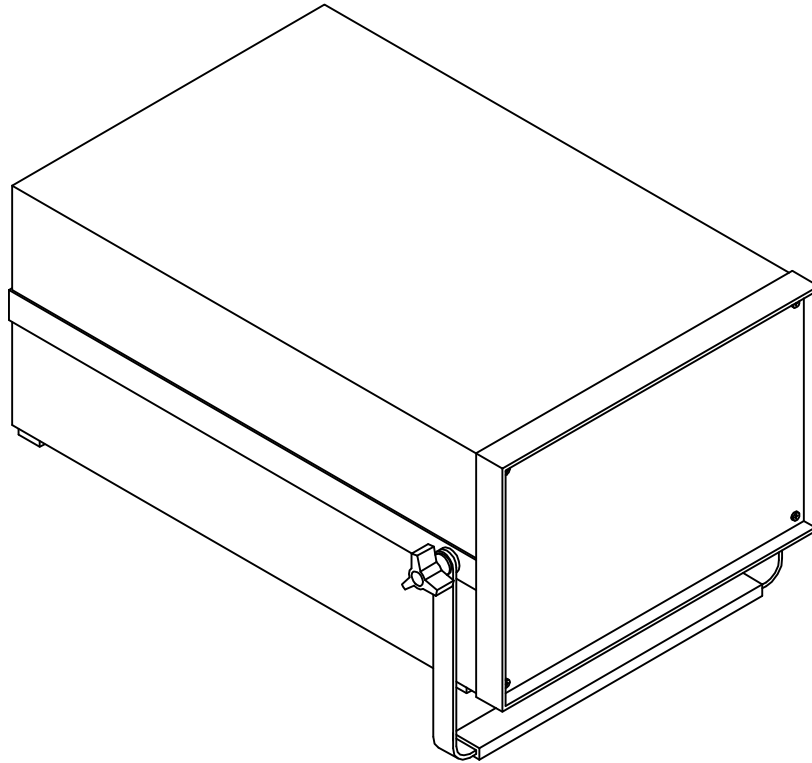


PART NAME

TR SERIES

PART No.

TR-6100 THRU TR-6103



**FINISH:**

FRAME AND BAIL \_\_\_\_\_ WHITE TEXTURED  
 FRONT PANEL AND COVERS \_\_\_\_\_ ROYAL BLUE TEXTURED  
 BAIL, TUBING, FEET AND KNOBS \_\_\_\_\_ BLACK  
 BAIL WASHERS \_\_\_\_\_ WHITE TEFLON

**MATERIAL:**

FRONT PANEL \_\_\_\_\_ 0.090 ALUMINUM  
 CORNER GUSSETS \_\_\_\_\_ 0.060 ALUMINUM  
 COVERS \_\_\_\_\_ 0.050 ALUMINUM  
 FRAME \_\_\_\_\_ EXTRUDED ALUMINUM  
 BAIL \_\_\_\_\_ EXTRUDED ALUMINUM  
 BAIL TUBING \_\_\_\_\_ NEOPRENE  
 FEET \_\_\_\_\_ SELF-ADHESIVE RUBBER  
 KNOBS \_\_\_\_\_ PLASTIC

**NOTES:**

FRONT PANEL RECESSED 0.375.

PART No.	OVERALL				PANEL SPACE		PANEL		INSIDE CLEARANCE		
	A	B	C	D	E	F	G	H	HEIGHT	WIDTH	DEPTH
TR-6100	3.500	8.312	10.750	1.750	3.250	8.046	3.187	7.984	3.000	7.796	10.000
TR-6101	5.250	8.312	13.250	2.625	5.000	8.046	4.937	7.984	4.750	7.796	12.500
TR-6102	7.000	11.062	13.250	3.500	6.750	10.828	6.687	10.765	6.500	10.578	12.500
TR-6103	8.000	12.000	18.750	4.000	7.750	11.750	7.687	11.687	7.500	11.500	18.000