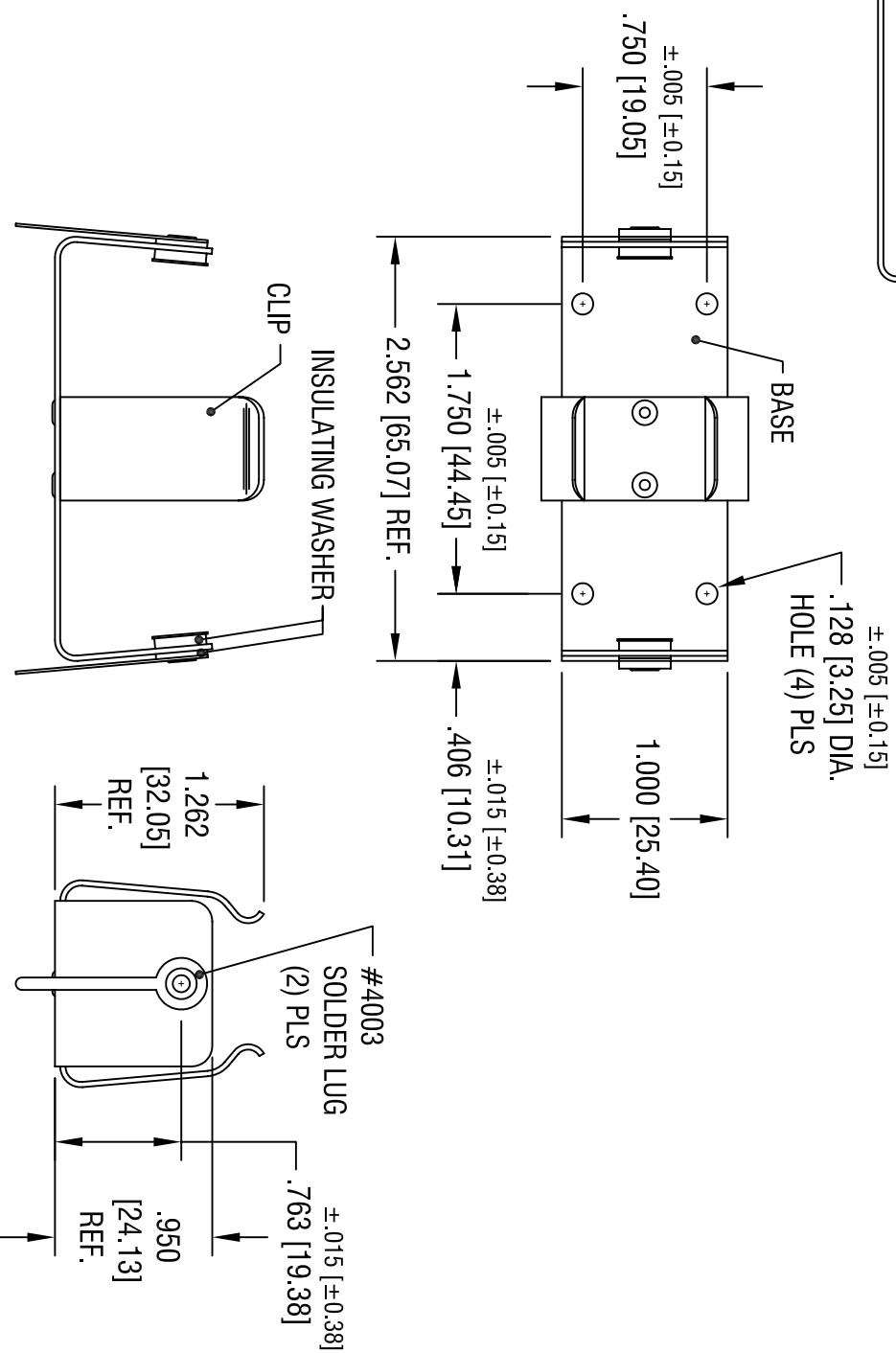
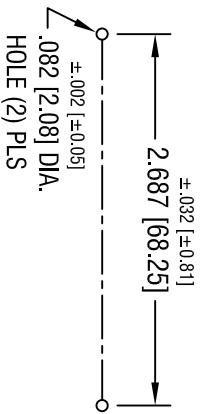


RECOMMENDED SPACING FOR PC LUGS



NOTES:

1. BASE: MAT'L - .032 [.81] THK ALUMINUM
CLIP: MAT'L - .032 [.81] THK ALUMINUM
- SOLDER LUG: MAT'L - BRASS
FINISH - TIN PLATE

KEYSTONE ELECTRONICS CORP.

ASTORIA, N.Y. 11105-2017

PART NAME

BATTERY HOLDER, (1) 'D' CELL

MATERIAL

AS NOTED

FINISH

AS NOTED

DATE

DESCRIPTION

REV.

THIS DOCUMENT IS THE PROPERTY OF
KEYSTONE ELECTRONICS CORP. AND
SHALL NOT BE REPRODUCED, DISTRIBUTED
OR USED AS A BASIS FOR MANUFACTURE
WITHOUT PRIOR WRITTEN PERMISSION
FROM KEYSTONE ELECTRONICS CORP.

TOLERANCES	INCH	[MM]	CODE	DWG NO.
DECIMAL	± .010	[± 0.25]	C	
ANGULAR	± 1°			
UNLESS OTHERWISE SPECIFIED				

DRN BY	DATE
BOONE	6.22.07
APP'D	SCALE
LN	.9X

2226