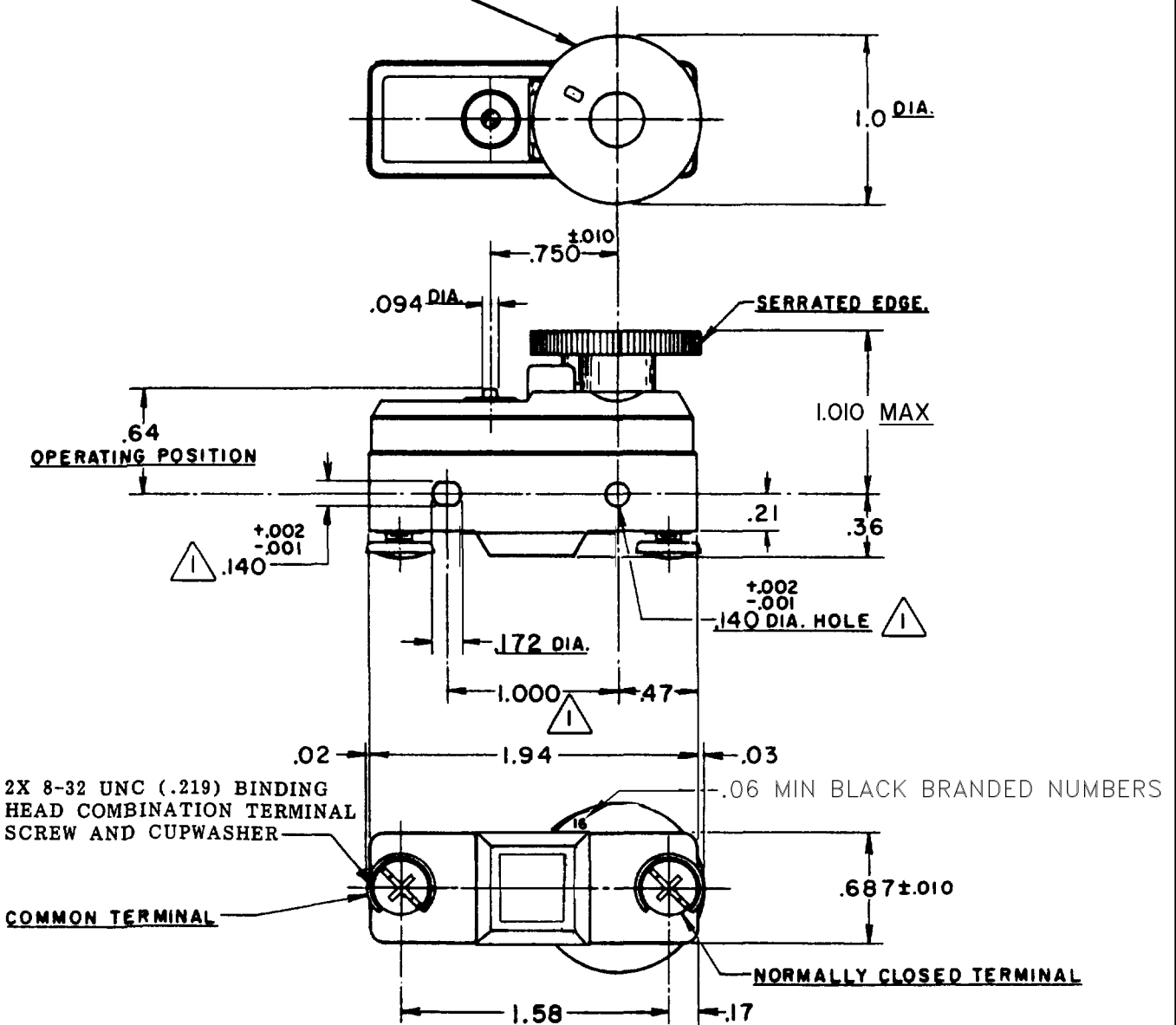


WHITE PLASTIC ADJUSTING WHEEL

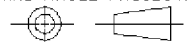


NOTES

- 1 MOUNTING HOLES WILL ACCEPT PINS OR SCREWS OF .139 MAX DIA ON 1.000 CENTERS
- 2 - MINNEAPOLIS-HONEYWELL REGULATOR CO. PART NO. "130914" BRANDED ON BOTTOM OF SWITCH
- 3 - DIAL WHEEL IS SHOWN AT THE MAX SETTING OF BREAK DISTANCE
- 4 - DIAL WHEEL ROTATION 300°

THIS DRAWING COVERS A PROPRIETARY ITEM AND IS THE PROPERTY OF MICRO SWITCH, A DIVISION OF HONEYWELL. THIS DRAWING IS NOT TO BE COPIED OR USED WITHOUT THE APPROVAL OF MICRO SWITCH.

THIRD ANGLE PROJECTION



CHARACTERISTICS (AT MIN SETTING)

ELECTRICAL DATA

SCALE FULL

DO NOT SCALE PRINT

AT MIN SETTING	
OPERATING FORCE	----- 17-22 OZ
RELEASE FORCE	----- 14 OZ MIN
DIFFERENTIAL TRAVEL	----- .0025-.0035
OVERTRAVEL	----- .014 MIN

CONTACT ARRANGEMENT
SPNC

UNLESS OTHERWISE SPECIFIED TOLERANCES ARE

ONE PLACE (.0) $\pm .030$

TWO PLACE (.00) $\pm .015$

THREE PLACE (.000) $\pm .005$

ANGLES \pm

WEIGHT

CATALOG LISTING 10BS161
PAGE 1 OF 1
REPLACES PR-18724
ISSUE M 9
CHECK
REVISIONS
A CO-81165
GJW 13 JULY 95
WJC 13 JUL 95
GJW 13 JULY 95
FORMTEK DRAWN