

ELECTRICAL CHARACTERISTICS

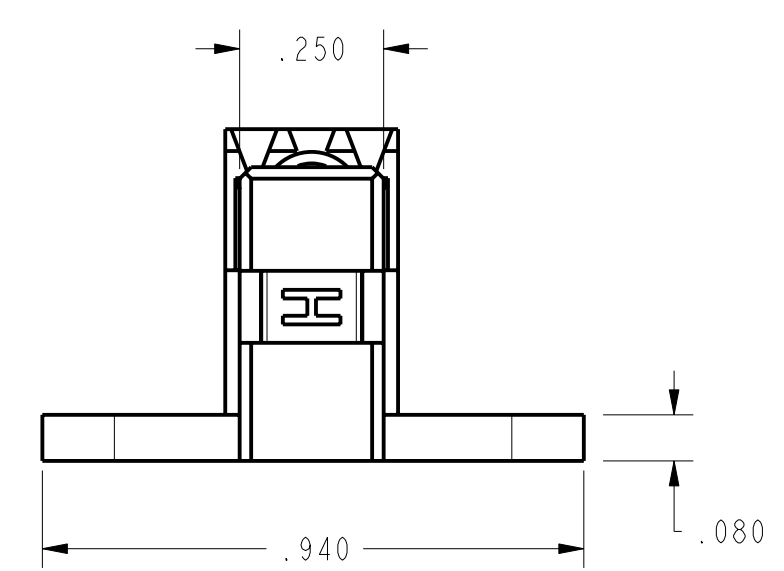
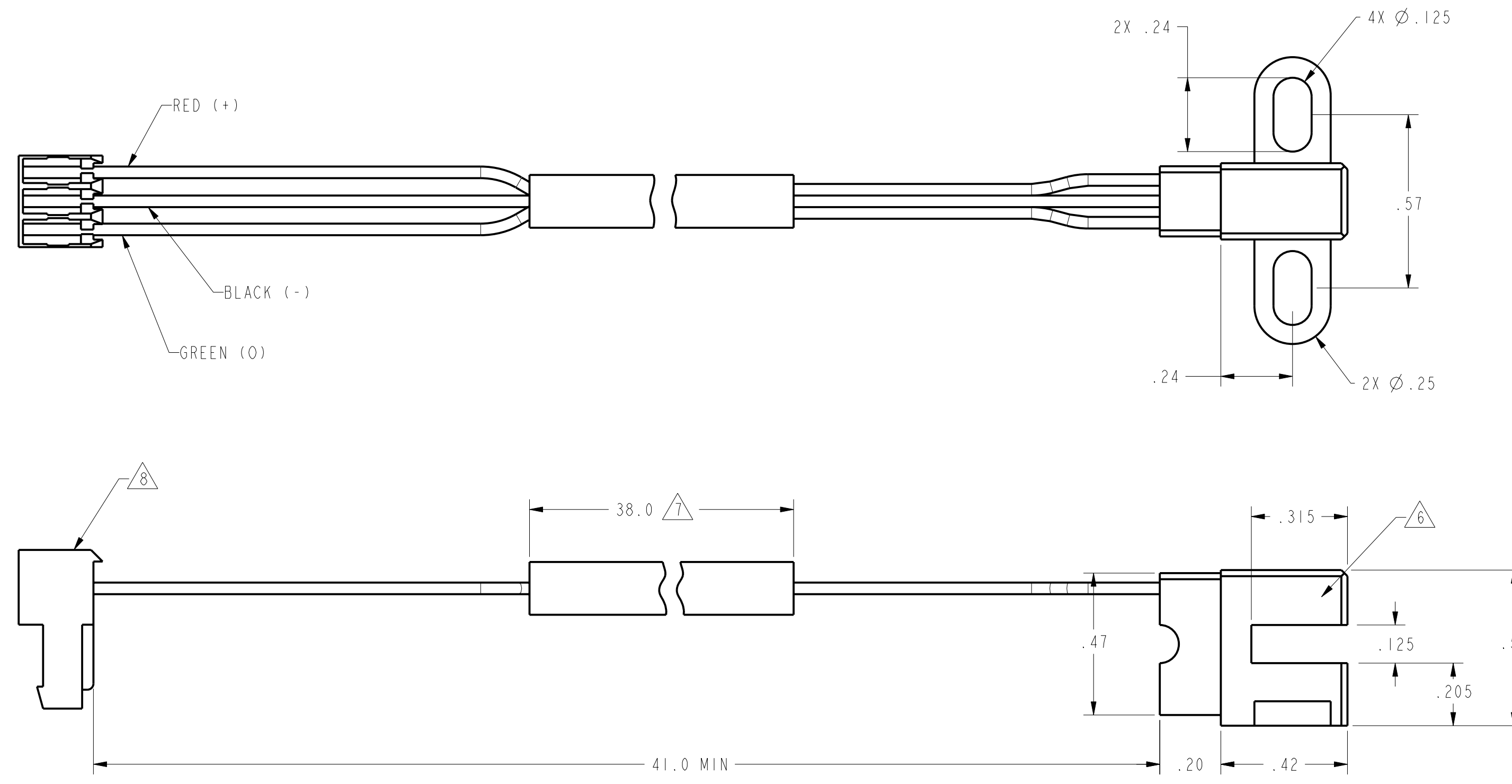
	CONDITION	
SPECIFIED VOLTAGE RANGE		3.8 TO 30 VDC
MAX I _{off}	V _{cc} =30V, I _{sink} =20mA, -20°C<T<+85°C, B>MAX OP	9.0 mA
MAX I _{on}	V _{cc} =30V, I _{sink} =20mA, -20°C<T<+85°C, B>MAX OP	10.0 mA
RATED SINK CURRENT		20 mA
MAX V _{sat}	V _{cc} =3.8V, I _{sink} =20mA, B>MAX OP	0.4 V
MAX LEAKAGE CURRENT	V _{out} =30V, V _{cc} =24V, B<MIN REL	10 μA
RISE TIME 10% TO 90%	T=25°C, V _{cc} =12V, R2=1.6 KΩ, C2=20pf	1.5 μS
FALL TIME 90% TO 10%	T=25°C, V _{cc} =12V, R2=1.6 KΩ, C2=20pf	1.5 μS

OPERATING SPECIFICATION

	LIMIT	CONDITIONS
OPERATE (3)	1.5°±2.0°	TARGET ENGAGEMENT .150 TO .300 RPM 0 TO 5000
RELEASE (4)	3.0°±2.5°	SLOT DEPTH .250 MIN

ABSOLUTE MAXIMUM RATINGS

TEMPERATURE	-20°C TO +85°C
SUPPLY VOLTAGE (V _s)	3.8 VDC TO 30 VDC
VOLTAGE EXTERNALLY APPLIED TO OUTPUT	-0.5 TO +30 VDC
OUTPUT CURRENT	50 mA
MAGNETIC FLUX	NO LIMIT, CIRCUIT CANNOT BE DAMAGED BY MAGNETIC OVERDRIVE



- NOTES
- 1 - MOUNTING SPECIFICATION: NON-FERROUS #4 MACHINE HEAD SCREWS WITH .25 OD WASHERS TORQUED TO 3-5 INCH LBS.
 - 2 - SUGGESTED TARGET CONFIGURATION, MATERIAL: .045 LOW CARBON STEEL, HIGH PERMEABILITY, LOW RESIDUAL INDUCTION
 - 3 - OPERATE (DEGREES) IS THE ANGULAR DISTANCE FROM THE LEADING EDGE OF THE TOOTH TO THE CENTERLINE OF THE SENSOR
 - 4 - RELEASE (DEGREES) IS THE ANGULAR DISTANCE FROM THE TRAILING EDGE OF THE TOOTH TO THE CENTERLINE OF THE SENSOR
 - 5 - OPERATING SPECIFICATION IS BASED ON TARGET SHOWN AND WILL VARY WITH TARGET GEOMETRY
 - 6 - HONEYWELL PART NUMBER AND DATE CODE, ANY SURFACE
 - 7 - BLACK PVC JACKET
 - 8 - AMP CONNECTOR P/N 640442-3 (FOR 26 AWG)

UNLESS OTHERWISE SPECIFIED TOLERANCES ARE:	<input checked="" type="checkbox"/> DECIMALS	<input type="checkbox"/> FRACTIONS	<input type="checkbox"/> MILLI METERS	DRAWN	TRF	05APR01	Honeywell Sensing and Control TITLE VANE SENSOR (MAGNETIC)
NO PLACE	.X	±.040	±.1	CHECK	SAV	05APR01	
ONE PLACE	.X	±.030	±0.4	THIS DRAWING COVERS A PROPRIETARY ITEM AND IS THE PROPERTY OF HONEYWELL SENSING AND CONTROL. THIS DRAWING IS NOT TO BE COPIED OR USED WITHOUT THE PERMISSION OF HONEYWELL.			
TWO PLACE	.XX	±.015	±0.15	THIRD ANGLE PROJECTION			
THREE PLACE	.XXX	±.005	±	DIMENSIONS ARE TO BE MET BEFORE PROTECTIVE COATINGS ARE APPLIED.			
ANGLES		±	±	PTC 3D ASME Y14.5M-1994			
RAW MATERIAL-COMMERCIAL STANDARD				SCALE		3:1	WEIGHT
							REV
							1
							SHEET
							1 OF 1