

6

5

4

3

2

1

E

E

D

D

C

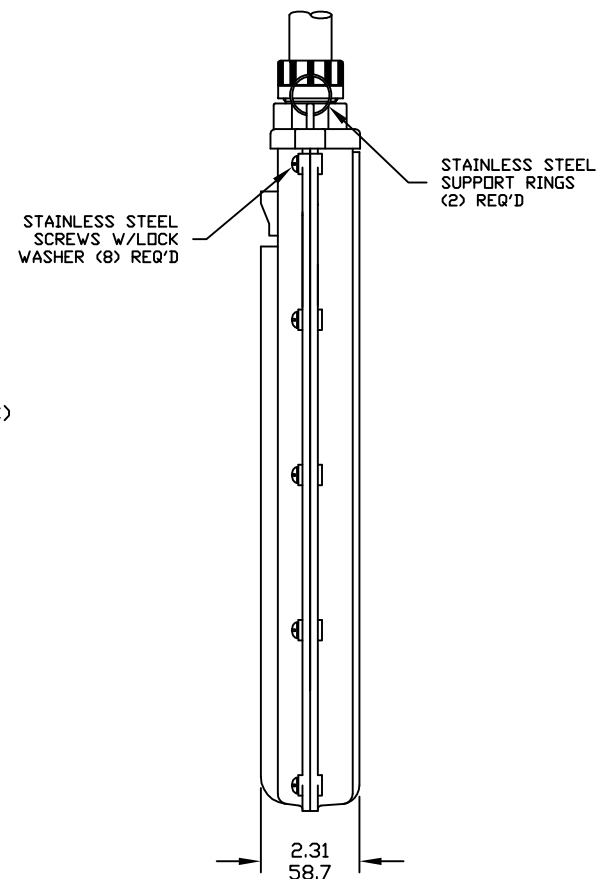
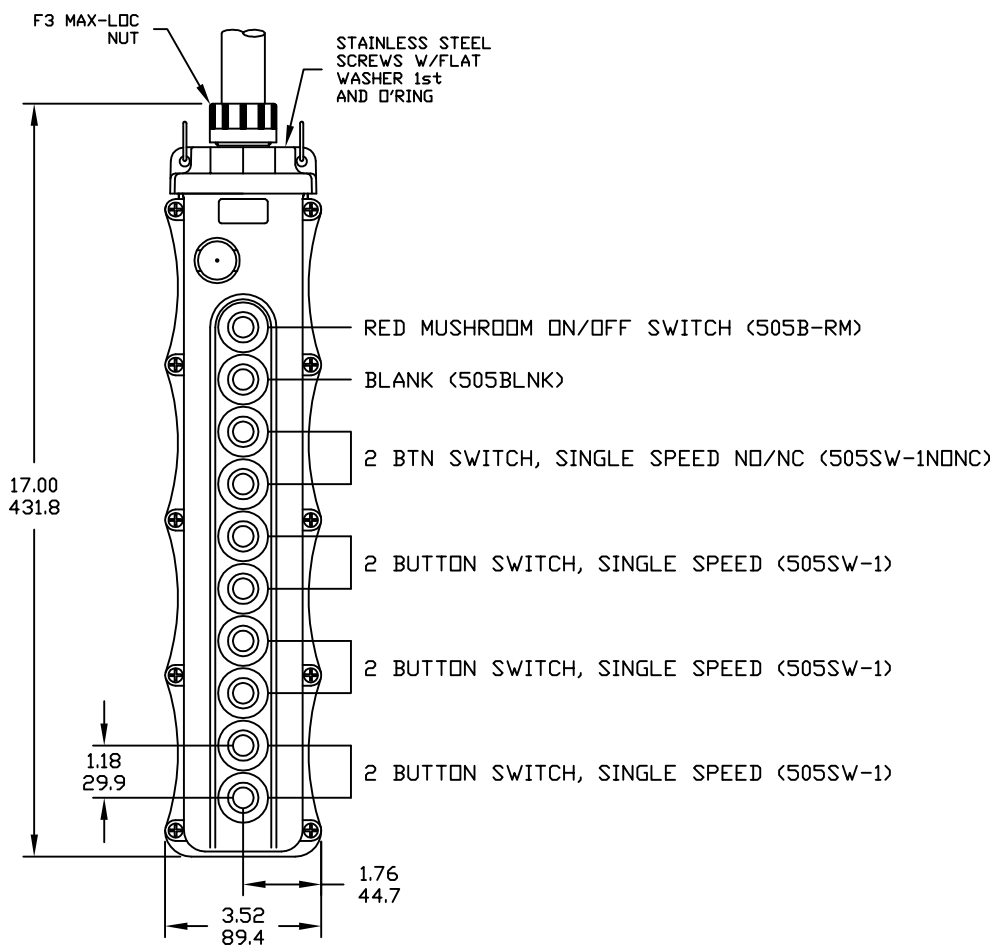
C

B

B

A

A



5060-SM-BL-AB2-A2-A2-A2

NOTES:

1. ALL DIMENSION ARE REFERENCE ONLY.

CUSTOMER APPROVAL EC NO: WNA2009-0039 DRWN: HKNEELAN 2008/07/16 CHKD: JP 2008/07/16 APPR: JPAWLICK 2008/07/25	QUALITY SYMBOLS $\nabla=0$ $\nabla C=0$	GENERAL TOLERANCES (UNLESS SPECIFIED)		DIMENSION STYLE INCH/MM		SCALE NTS	DESIGN UNITS INCH	THIRD ANGLE PROJECTION
		4 PLACES	mm	INCH	DRAWN BY	DATE	TITLE PENDANT STATION 5060 W/505B-RM 505SW-1N0NC	
		3 PLACES	mm	INCH	CHECKED BY	DATE		
		2 PLACES	mm	INCH	APPROVED BY	DATE		
1 PLACE	mm	INCH	ANGULAR \pm ---°		MATERIAL NO. 1301260292	DOCUMENT NO. SD-130126-014	SHEET NO. 1 OF 1	
DRAFT WHERE APPLICABLE MUST REMAIN WITHIN DIMENSIONS		THIS DRAWING CONTAINS INFORMATION THAT IS PROPRIETARY TO MOLEX INCORPORATED AND SHOULD NOT BE USED WITHOUT WRITTEN PERMISSION						

6

5

4

3

2

1