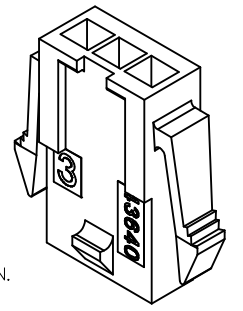


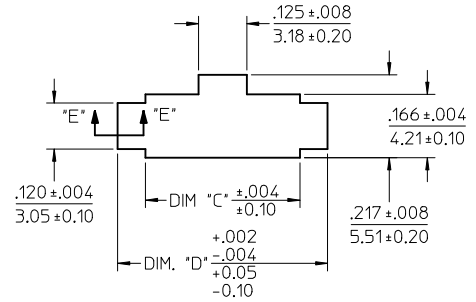
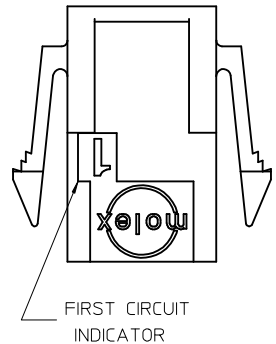
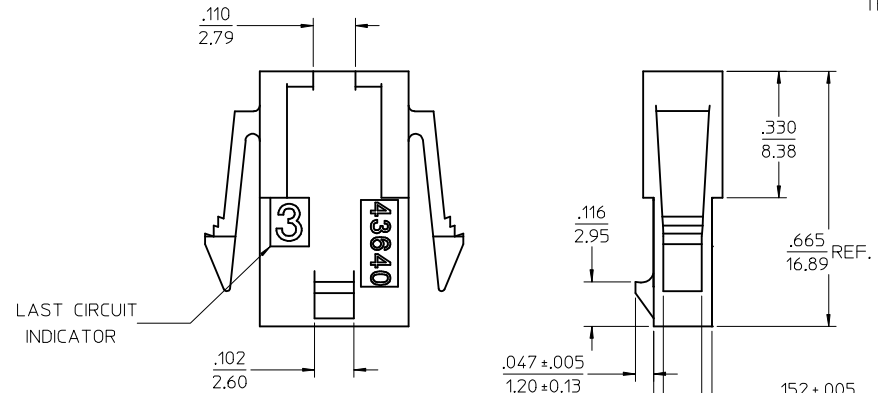
| ASSEMBLY ITEM NUMBER | PART CHARACTERISTICS NUMBER OF POSITION |
|----------------------|---|
| 43640-0210           | 02                                      |
| 43640-0310           | 03                                      |
| 43640-0410           | 04                                      |
| 43640-0510           | 05                                      |
| 43640-0610           | 06                                      |
| 43640-0710           | 07                                      |
| 43640-0810           | 08                                      |
| 43640-0910           | 09                                      |
| 43640-1010           | 10                                      |
| 43640-1110           | 11                                      |
| 43640-1210           | 12                                      |

| CKT. NO. | DIM. "A"    | DIM. "B"    | DIM. "C"    | DIM. "D"    |
|----------|-------------|-------------|-------------|-------------|
| 2        | .270/6.85   | .118/3.00   | .284/7.21   | .429/10.90  |
| 3        | .388/9.85   | .236/6.00   | .402/10.21  | .547/13.89  |
| 4        | .506/12.85  | .354/9.00   | .520/13.21  | .665/16.89  |
| 5        | .624/15.85  | .472/12.00  | .638/16.21  | .783/19.89  |
| 6        | .742/18.85  | .591/15.00  | .756/19.21  | .901/22.89  |
| 7        | .860/21.85  | .709/18.00  | .874/22.20  | 1.019/25.88 |
| 8        | .978/24.85  | .827/21.00  | .992/25.20  | 1.137/28.88 |
| 9        | 1.096/27.85 | .945/24.00  | 1.110/28.20 | 1.255/31.88 |
| 10       | 1.215/30.85 | 1.063/27.00 | 1.229/31.22 | 1.373/34.87 |
| 11       | 1.333/33.85 | 1.181/30.00 | 1.347/34.22 | 1.491/37.87 |
| 12       | 1.451/36.85 | 1.299/33.00 | 1.465/37.22 | 1.609/40.87 |

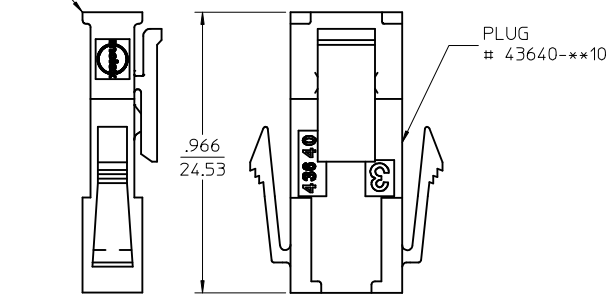
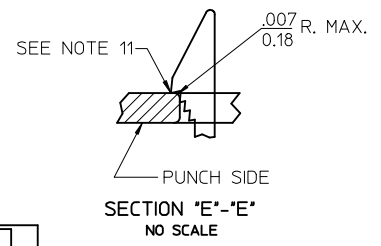
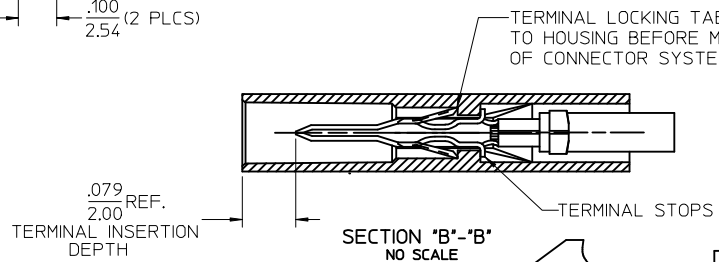
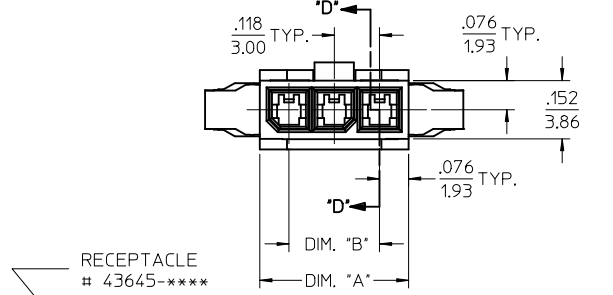
- NOTES:
- HOUSING MATERIAL: UNFILLED NYLON, RATED UL94V-2, IEC 60335-1, 4TH EDITION GLOW WIRE CAPABLE, COLOR IS BLACK.  
\*MATERIAL NUMBERS ON THIS DRAWING ARE GLOW WIRE CAPABLE SINCE INCEPTION.
  - FINISH: NONE
  - PRODUCT SPECIFICATION: PS-43650
  - PACKAGING SPECIFICATION: PK-43640-003
  - THIS HOUSING MATES WITH MICRO-FIT RECEPTACLE #43645-\*\*\*\*.
  - THIS HOUSING IS DESIGNED IN METRIC
  - THIS HOUSING TO BE USED WITH MOLEX MALE TERMINAL #43031-\*\*\*\*.
  - PLUG DESIGNED FOR .062/1.57 TO .090/2.30 THICK STAMPED PANEL OR P.C.BOARD.
  - SEE SECTION "D"-"D" FOR TERMINAL ORIENTATION IN HOUSING.
  - SEE SHEET 2 FOR PLUG WITHOUT PANEL MOUNTS.
  - PANEL MOUNT FEATURES MUST LOCK ON SIDE OPPOSITE PUNCH SIDE FOR OPTIMUM RETENTION.
  - THIS PART CONFORMS TO CLASS 'B' REQUIREMENTS OF COSMETIC SPECIFICATION PS-45499-002, WITH THE EXCEPTION THAT FLASH, DISCOLORATION, AND SINK MEET CLASS 'C' REQUIREMENTS.
  - HOUSINGS MAY HAVE DISCOLORATION AREAS THAT DO NOT AFFECT FUNCTIONALITY. DISCOLORATION AREAS MAY EXTEND ACROSS THE ENTIRE LENGTH OF THE FACES OF THE PART.



PLUG WITH PANEL MOUNTS

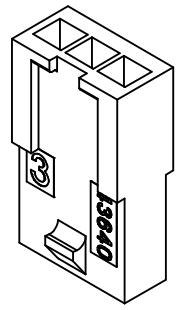
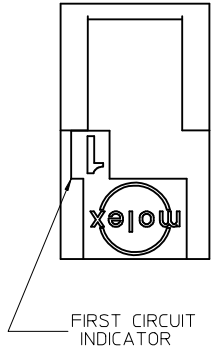
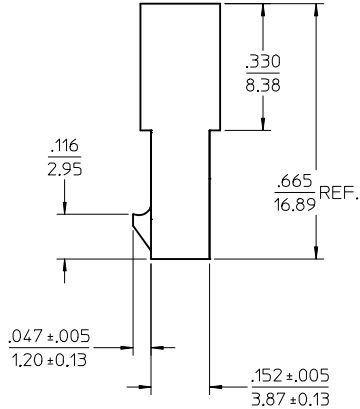
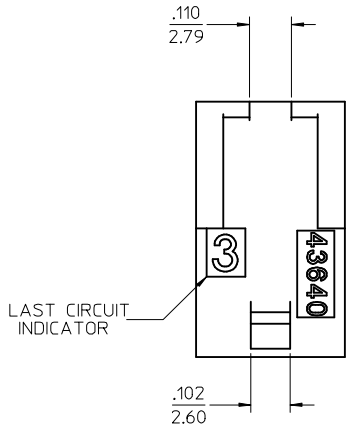


RECOMMENDED PANEL CUT-OUT (SEE NOTES 8 & 11)

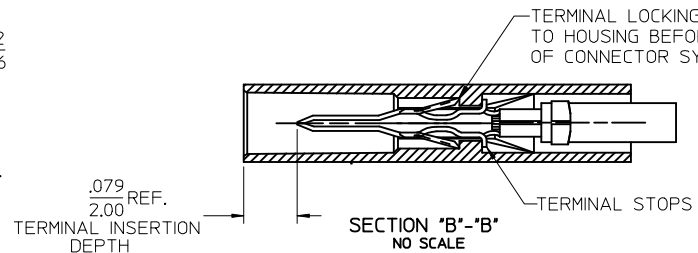
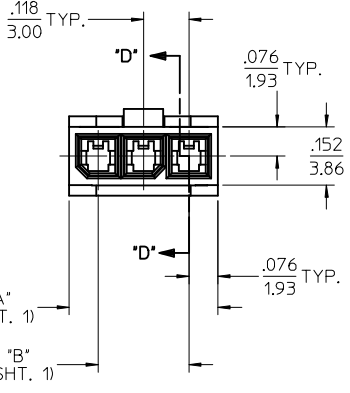


|   |                                      |  |                 |              |              |  |                        |
|---|--------------------------------------|--|-----------------|--------------|--------------|--|------------------------|
| UPDATE PUNCHED HOLE<br>EC NO: UCP2017-0525<br>DRWIN:JOUILES 2016/09/14<br>CHKD:SSOUSEK 2016/09/14<br>APPR:FSMITH 2016/10/07 | QUALITY SYMBOLS<br>▽=0<br>▽=0<br>▽=0 | GENERAL TOLERANCES (UNLESS SPECIFIED)                | DIMENSION STYLE |              | SCALE<br>4:1 | DESIGN UNITS<br>METRIC   | THIRD ANGLE PROJECTION |
|   |                                      |  | mm              | INCH         |              |  |                        |
| A1  | DESCRIPTION                          | DRAFT WHERE APPLICABLE MUST REMAIN WITHIN DIMENSIONS | DRAWN BY DATE   |              | TITLE        | DOCUMENT NO.   | SHEET NO.              |
|   |                                      |  | JMONT1          | 2015/06/16   |              |  |                        |
|   |                                      | APPROVED BY DATE                                     |                 | MATERIAL NO. |              | THIS DRAWING CONTAINS INFORMATION THAT IS PROPRIETARY TO MOLEX. INCORPORATED AND SHOULD NOT BE USED WITHOUT WRITTEN PERMISSION |                        |
|   |                                      | BPI SZCZOR 2016/06/10                                |                 | SEE CHART    |              | SD-43640-002   |                        |

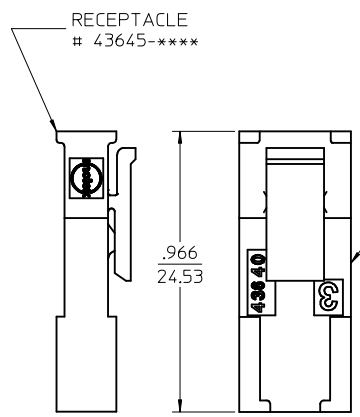
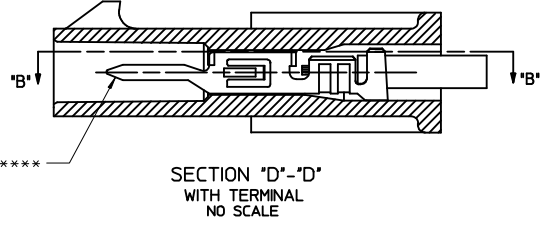
| ASSEMBLY ITEM NUMBER | PART CHARACTERISTICS NUMBER OF POSITION |
|----------------------|---|
| 43640-0211           | 02                                      |
| 43640-0311           | 03                                      |
| 43640-0411           | 04                                      |
| 43640-0511           | 05                                      |
| 43640-0611           | 06                                      |
| 43640-0711           | 07                                      |
| 43640-0811           | 08                                      |
| 43640-0911           | 09                                      |
| 43640-1011           | 10                                      |
| 43640-1111           | 11                                      |
| 43640-1211           | 12                                      |



PLUG WITHOUT PANEL MOUNTS



TERMINAL LOCKING TABS MUST BE FULLY SEATED TO HOUSING BEFORE MATING WITH OTHER HALF OF CONNECTOR SYSTEM.



MATED MICRO-FIT CONNECTOR

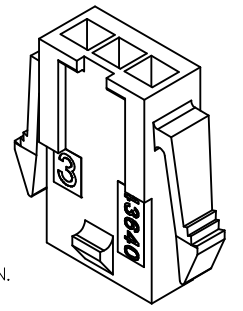
| REV | DESCRIPTION   | QUALITY SYMBOLS   | GENERAL TOLERANCES (UNLESS SPECIFIED) |        | DIMENSION STYLE                                      |                 | SCALE | DESIGN UNITS | THIRD ANGLE PROJECTION  |
|-----|---|-------------------|---------------------------------------|--------|--|-----------------|-------|--------------|---|
|     |   |                   | mm                                    | INCH   | IN/MM  | DATE            |       |              |   |
| A1  | SEE SHEET 1<br>EC NO: UCP2017-0525<br>DRWN: JUILLES 2016/09/14<br>CHKD: SSOUSEK 2016/09/14<br>APPR: FSMITH 2016/10/07 | ▽=0<br>▽=0<br>▽=0 | 4 PLACES ± ---                        | ± ---  | DRAWN BY JMONT1                                      | DATE 2015/06/16 | 4:1   | METRIC       | MICRO-FIT (3.0) IN-LINE<br>PLUG W/ OPTIONAL PANEL<br>MOUNTS, GLOW WIRE<br><b>molex</b>  |
|     |   |                   | 3 PLACES ± ---                        | ± .010 | CHECKED BY BANDERSON                                 | DATE 2015/06/16 |       |              |   |
|     |   |                   | 2 PLACES ± 0.25                       | ± .014 | APPROVED BY BPI SZCZOR                               | DATE 2016/06/10 |       |              | DOCUMENT NO. SD-43640-002   |
|     |   |                   | 1 PLACE ± 0.35                        | ± ---  | MATERIAL NO. SEE CHART                               |                 |       |              | SHEET NO. 2 OF 2  |
|     |   |                   | 0 PLACE ± ---                         | ± ---  | DRAFT WHERE APPLICABLE MUST REMAIN WITHIN DIMENSIONS |                 |       |              | THIS DRAWING CONTAINS INFORMATION THAT IS PROPRIETARY TO MOLEX INCORPORATED AND SHOULD NOT BE USED WITHOUT WRITTEN PERMISSION |

| ASSEMBLY ITEM NUMBER | PART CHARACTERISTICS NUMBER OF POSITION |
|----------------------|---|
| 43640-0210           | 02                                      |
| 43640-0310           | 03                                      |
| 43640-0410           | 04                                      |
| 43640-0510           | 05                                      |
| 43640-0610           | 06                                      |
| 43640-0710           | 07                                      |
| 43640-0810           | 08                                      |
| 43640-0910           | 09                                      |
| 43640-1010           | 10                                      |
| 43640-1110           | 11                                      |
| 43640-1210           | 12                                      |

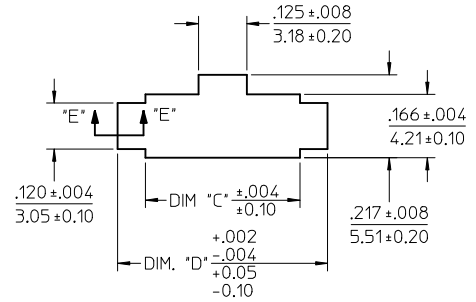
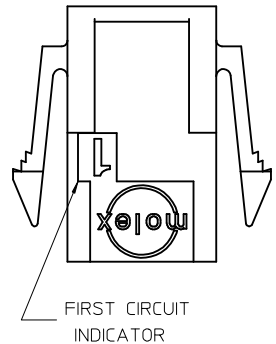
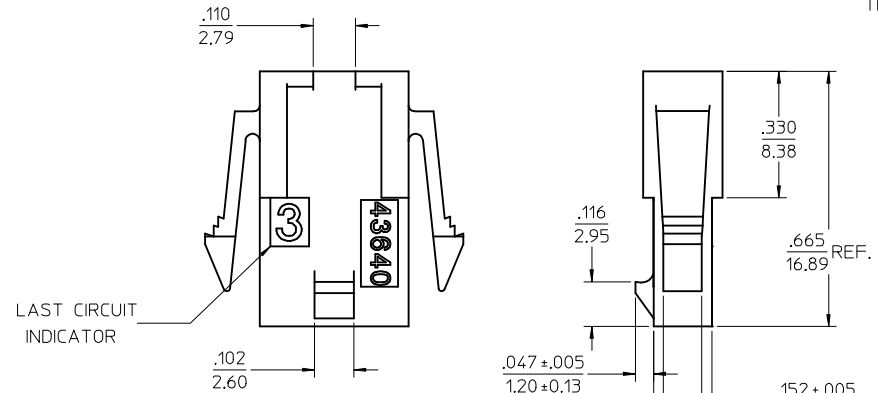
| CKT. NO. | DIM. "A"    | DIM. "B"    | DIM. "C"    | DIM. "D"    |
|----------|-------------|-------------|-------------|-------------|
| 2        | .270/6.85   | .118/3.00   | .284/7.21   | .429/10.90  |
| 3        | .388/9.85   | .236/6.00   | .402/10.21  | .547/13.89  |
| 4        | .506/12.85  | .354/9.00   | .520/13.21  | .665/16.89  |
| 5        | .624/15.85  | .472/12.00  | .638/16.21  | .783/19.89  |
| 6        | .742/18.85  | .591/15.00  | .756/19.21  | .901/22.89  |
| 7        | .860/21.85  | .709/18.00  | .874/22.20  | 1.019/25.88 |
| 8        | .978/24.85  | .827/21.00  | .992/25.20  | 1.137/28.88 |
| 9        | 1.096/27.85 | .945/24.00  | 1.110/28.20 | 1.255/31.88 |
| 10       | 1.215/30.85 | 1.063/27.00 | 1.229/31.22 | 1.373/34.87 |
| 11       | 1.333/33.85 | 1.181/30.00 | 1.347/34.22 | 1.491/37.87 |
| 12       | 1.451/36.85 | 1.299/33.00 | 1.465/37.22 | 1.609/40.87 |

**NOTES:**

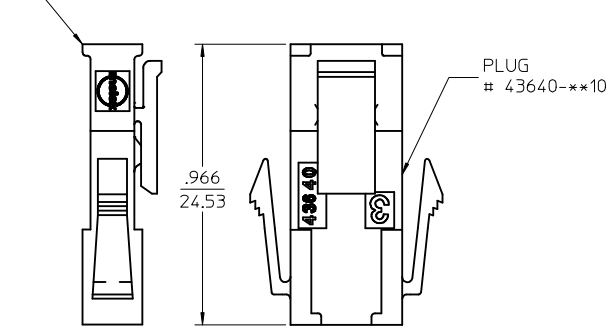
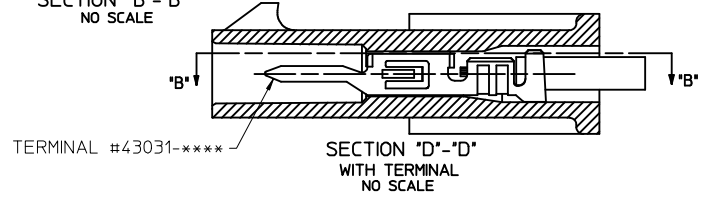
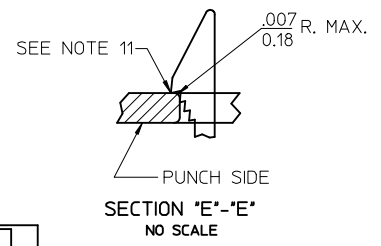
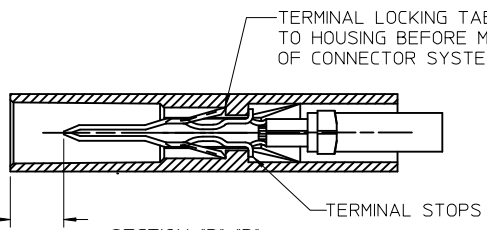
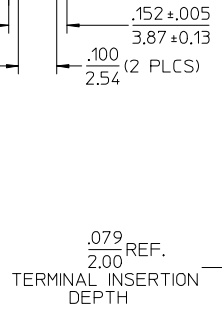
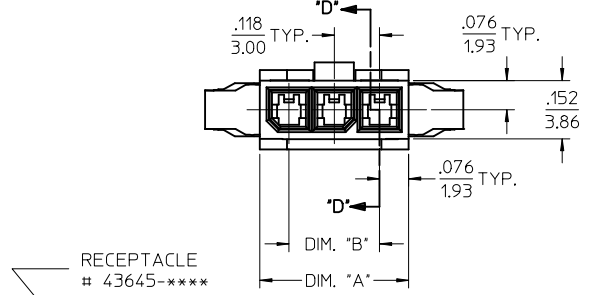
- HOUSING MATERIAL: UNFILLED NYLON, RATED UL94V-2, IEC 60335-1, 4TH EDITION GLOW WIRE CAPABLE, COLOR IS BLACK.  
\*MATERIAL NUMBERS ON THIS DRAWING ARE GLOW WIRE CAPABLE SINCE INCEPTION.
- FINISH: NONE
- PRODUCT SPECIFICATION: PS-43650
- PACKAGING SPECIFICATION: PK-43640-003
- THIS HOUSING MATES WITH MICRO-FIT RECEPTACLE #43645-\*\*\*\*.
- THIS HOUSING IS DESIGNED IN METRIC
- THIS HOUSING TO BE USED WITH MOLEX MALE TERMINAL #43031-\*\*\*\*.
- PLUG DESIGNED FOR .062/1.57 TO .090/2.30 THICK STAMPED PANEL OR P.C.BOARD.
- SEE SECTION "D"- "D" FOR TERMINAL ORIENTATION IN HOUSING.
- SEE SHEET 2 FOR PLUG WITHOUT PANEL MOUNTS.
- PANEL MOUNT FEATURES MUST LOCK ON SIDE OPPOSITE PUNCH SIDE FOR OPTIMUM RETENTION.
- THIS PART CONFORMS TO CLASS 'B' REQUIREMENTS OF COSMETIC SPECIFICATION PS-45499-002, WITH THE EXCEPTION THAT FLASH, DISCOLORATION, AND SINK MEET CLASS 'C' REQUIREMENTS.
- HOUSINGS MAY HAVE DISCOLORATION AREAS THAT DO NOT AFFECT FUNCTIONALITY. DISCOLORATION AREAS MAY EXTEND ACROSS THE ENTIRE LENGTH OF THE FACES OF THE PART.



PLUG WITH PANEL MOUNTS



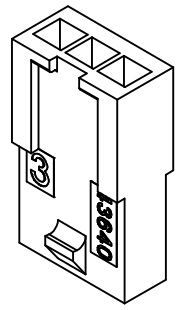
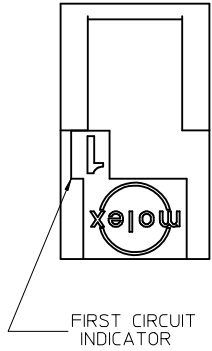
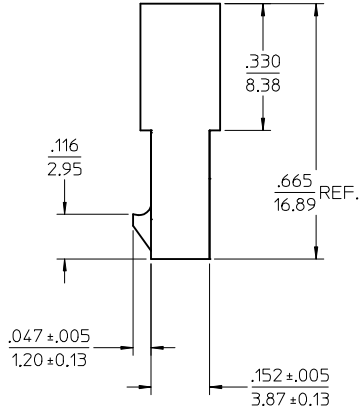
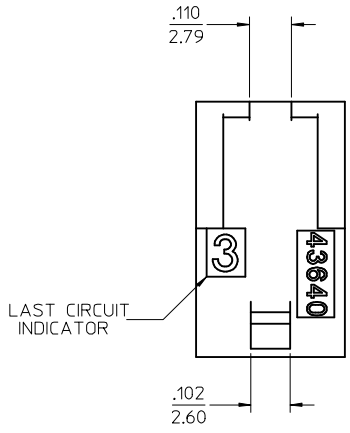
RECOMMENDED PANEL CUT-OUT (SEE NOTES 8 & 11)



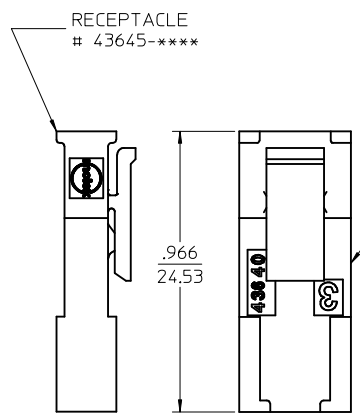
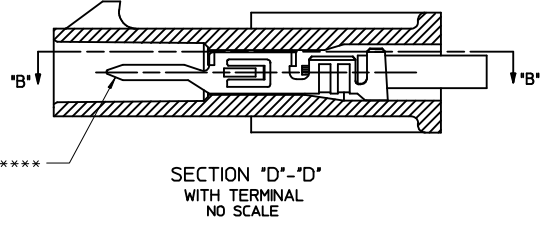
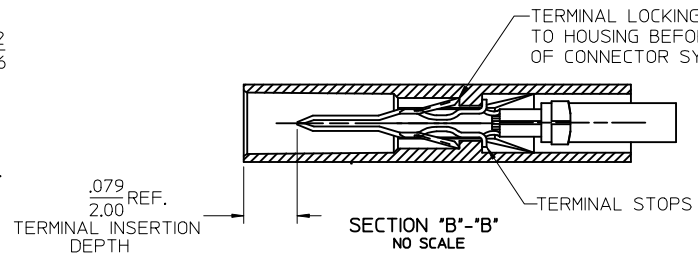
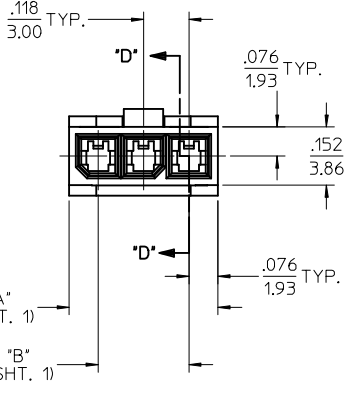
MATED MICRO-FIT CONNECTOR

| UPDATE PUNCHED HOLE<br>IEC NO: UCP2017-0525<br>DRWIN:JOUILES 2016/09/14<br>CHKD:SSOUSEK 2016/09/14<br>APPR:FSMITH 2016/10/07 | QUALITY SYMBOLS<br>▽=0<br>▽=0<br>▽=0                       | GENERAL TOLERANCES (UNLESS SPECIFIED)<br><table border="1"> <thead> <tr> <th></th> <th>mm</th> <th>INCH</th> </tr> </thead> <tbody> <tr><td>4 PLACES</td><td>±---</td><td>±---</td></tr> <tr><td>3 PLACES</td><td>±---</td><td>±.010</td></tr> <tr><td>2 PLACES</td><td>±.025</td><td>±.014</td></tr> <tr><td>1 PLACE</td><td>±.035</td><td>±---</td></tr> <tr><td>0 PLACE</td><td>±---</td><td>±---</td></tr> </tbody> </table> |  | mm | INCH | 4 PLACES | ±--- | ±--- | 3 PLACES | ±--- | ±.010 | 2 PLACES | ±.025 | ±.014 | 1 PLACE | ±.035 | ±--- | 0 PLACE | ±--- | ±--- | DIMENSION STYLE<br>IN/MM<br>DRAWN BY DATE<br>JMONT1 2015/06/16<br>CHECKED BY DATE<br>BANDERSON 2015/06/16<br>APPROVED BY DATE<br>BPI SZCZOR 2016/06/10 | SCALE<br>4:1<br>DESIGN UNITS<br>METRIC<br>THIRD ANGLE PROJECTION | TITLE<br>MICRO-FIT (3.0) IN-LINE<br>PLUG W/ OPTIONAL PANEL<br>MOUNTS, GLOW WIRE<br><b>molex</b> | DOCUMENT NO.<br>SD-43640-002<br>SHEET NO.<br>1 OF 2 |
|--|--|--|--|----|------|----------|------|------|----------|------|-------|----------|-------|-------|---------|-------|------|---------|------|------|--|--|---|---|
|  |  |  |  | mm | INCH |          |      |      |          |      |       |          |       |       |         |       |      |         |      |      |  |  |   |   |
| 4 PLACES   | ±---   | ±---   |  |    |      |          |      |      |          |      |       |          |       |       |         |       |      |         |      |      |  |  |   |   |
| 3 PLACES   | ±---   | ±.010  |  |    |      |          |      |      |          |      |       |          |       |       |         |       |      |         |      |      |  |  |   |   |
| 2 PLACES   | ±.025  | ±.014  |  |    |      |          |      |      |          |      |       |          |       |       |         |       |      |         |      |      |  |  |   |   |
| 1 PLACE  | ±.035  | ±---   |  |    |      |          |      |      |          |      |       |          |       |       |         |       |      |         |      |      |  |  |   |   |
| 0 PLACE  | ±---   | ±---   |  |    |      |          |      |      |          |      |       |          |       |       |         |       |      |         |      |      |  |  |   |   |
| MATERIAL NO.<br>SEE CHART  | DRAFT WHERE APPLICABLE<br>MUST REMAIN<br>WITHIN DIMENSIONS | SIZE<br>C THIS DRAWING CONTAINS INFORMATION THAT IS PROPRIETARY TO MOLEX.<br>INCORPORATED AND SHOULD NOT BE USED WITHOUT WRITTEN PERMISSION  |  |    |      |          |      |      |          |      |       |          |       |       |         |       |      |         |      |      |  |  |   |   |
| A1   | REV  |  |  |    |      |          |      |      |          |      |       |          |       |       |         |       |      |         |      |      |  |  |   |   |

| ASSEMBLY ITEM NUMBER | PART CHARACTERISTICS NUMBER OF POSITION |
|----------------------|---|
| 43640-0211           | 02                                      |
| 43640-0311           | 03                                      |
| 43640-0411           | 04                                      |
| 43640-0511           | 05                                      |
| 43640-0611           | 06                                      |
| 43640-0711           | 07                                      |
| 43640-0811           | 08                                      |
| 43640-0911           | 09                                      |
| 43640-1011           | 10                                      |
| 43640-1111           | 11                                      |
| 43640-1211           | 12                                      |



PLUG WITHOUT PANEL MOUNTS



MATED MICRO-FIT CONNECTOR

| REV | DESCRIPTION   | QUALITY SYMBOLS   | GENERAL TOLERANCES (UNLESS SPECIFIED) |        | DIMENSION STYLE                                      |                    | SCALE | DESIGN UNITS | THIRD ANGLE PROJECTION  |
|-----|---|-------------------|---------------------------------------|--------|--|--------------------|-------|--------------|---|
|     |   |                   | mm                                    | INCH   | IN/MM  | DATE               |       |              |   |
| A1  | SEE SHEET 1<br>EC NO: UCP2017-0525<br>DRWN: JUILLES 2016/09/14<br>CHKD: SSOUSEK 2016/09/14<br>APPR: FSMITH 2016/10/07 | ▽=0<br>▽=0<br>▽=0 | 4 PLACES ± ---                        | ± ---  | DRAWN BY<br>JMONT1                                   | DATE<br>2015/06/16 | 4:1   | METRIC       | MICRO-FIT (3.0) IN-LINE<br>PLUG W/ OPTIONAL PANEL<br>MOUNTS, GLOW WIRE<br><b>molex</b>  |
|     |   |                   | 3 PLACES ± ---                        | ± .010 | CHECKED BY<br>BANDERSON                              | DATE<br>2015/06/16 |       |              |   |
|     |   |                   | 2 PLACES ± 0.25                       | ± .014 | APPROVED BY<br>BPISZCZOR                             | DATE<br>2016/06/10 |       |              | DOCUMENT NO.<br>SD-43640-002  |
|     |   |                   | 1 PLACE ± 0.35                        | ± ---  | MATERIAL NO.<br>SEE CHART                            |                    |       |              | SHEET NO.<br>2 OF 2   |
|     |   |                   | 0 PLACE ± ---                         | ± ---  | DRAFT WHERE APPLICABLE MUST REMAIN WITHIN DIMENSIONS |                    |       |              | THIS DRAWING CONTAINS INFORMATION THAT IS PROPRIETARY TO MOLEX INCORPORATED AND SHOULD NOT BE USED WITHOUT WRITTEN PERMISSION |