

Microphone coupon board based on the MP23AB01DH fully differential analog MEMS microphone



Features

- 4 x MP23AB01DH bottom port analog MEMS microphones
- Vsupply from 2.3 to 3.6 V
- 135 dB SPL acoustic overload point
- Omnidirectional sensitivity
- Frequency range 100 Hz - 10 kHz
- 65 dB of SNR
- Sensitivity -38 dBV \pm 1 dBV
- THD < 0.2% @ 94 dB SPL, 1 kHz
- THD < 5% @ 130 dB SPL, 1 kHz
- RoHS compliant

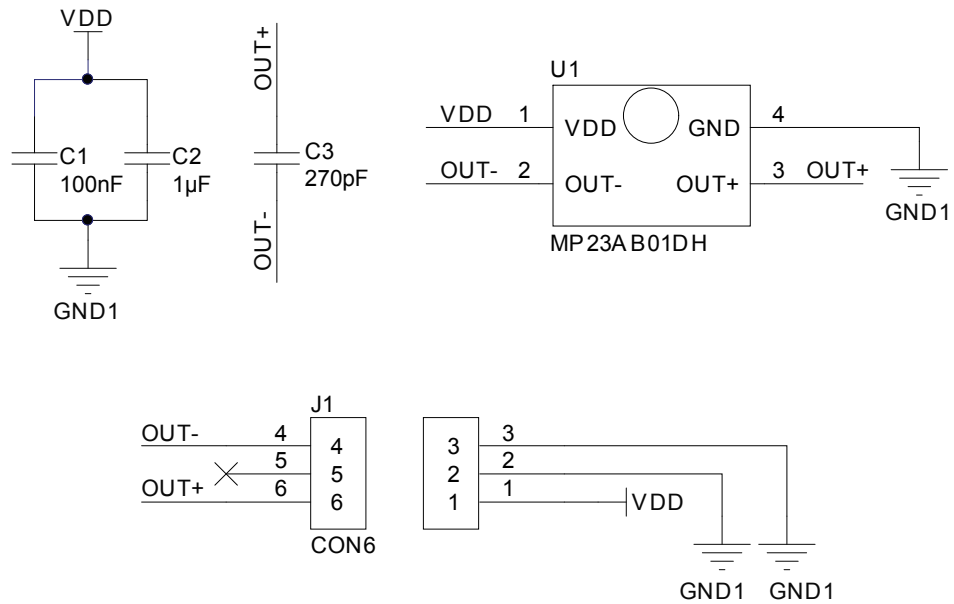
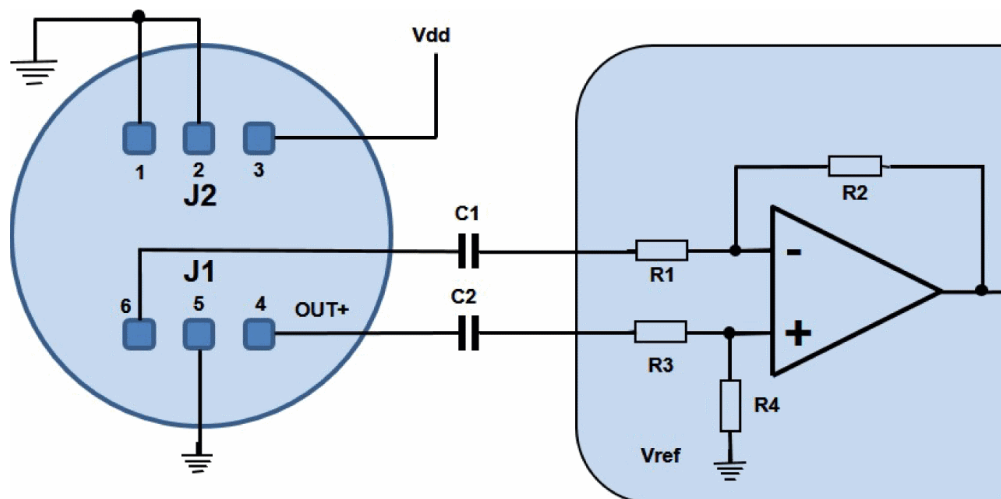
Description

The STEVAL-MKI139V5 daughterboard contains four [MP23AB01DH](#) analog MEMS microphones.

The coupon concept facilitates performance testing of ST MEMS microphones. It is possible to detach the single PCBs hosting each microphone.

Product summary	
High-performance MEMS microphone, fully differential analog bottom-port, omnidirectional, high SNR, compact and low-power MEMS audio sensor	MP23AB01DH

1 Schematic diagrams

Figure 1. STEVAL-MKI139V5 coupon circuit schematic

Figure 2. STEVAL-MKI139V5 example of external electrical connections


$$V_{out} = \frac{R1+R2}{R3+R4} * \frac{R4 * (OUT+)}{R1} - \frac{R2 * (OUT-)}{R1}$$

In Case $R1=R3$ and $R2=R4$

$$V_{out} = \frac{R2}{R1} * ((OUT+) - (OUT-))$$

Revision history

Table 1. Document revision history

Date	Version	Changes
12-May-2017	1	Initial release.
07-May-2018	2	Added logo in cover page, updated Section • Features, added Section • Product summary table

IMPORTANT NOTICE – PLEASE READ CAREFULLY

STMicroelectronics NV and its subsidiaries (“ST”) reserve the right to make changes, corrections, enhancements, modifications, and improvements to ST products and/or to this document at any time without notice. Purchasers should obtain the latest relevant information on ST products before placing orders. ST products are sold pursuant to ST’s terms and conditions of sale in place at the time of order acknowledgement.

Purchasers are solely responsible for the choice, selection, and use of ST products and ST assumes no liability for application assistance or the design of Purchasers’ products.

No license, express or implied, to any intellectual property right is granted by ST herein.

Resale of ST products with provisions different from the information set forth herein shall void any warranty granted by ST for such product.

ST and the ST logo are trademarks of ST. All other product or service names are the property of their respective owners.

Information in this document supersedes and replaces information previously supplied in any prior versions of this document.

© 2018 STMicroelectronics – All rights reserved