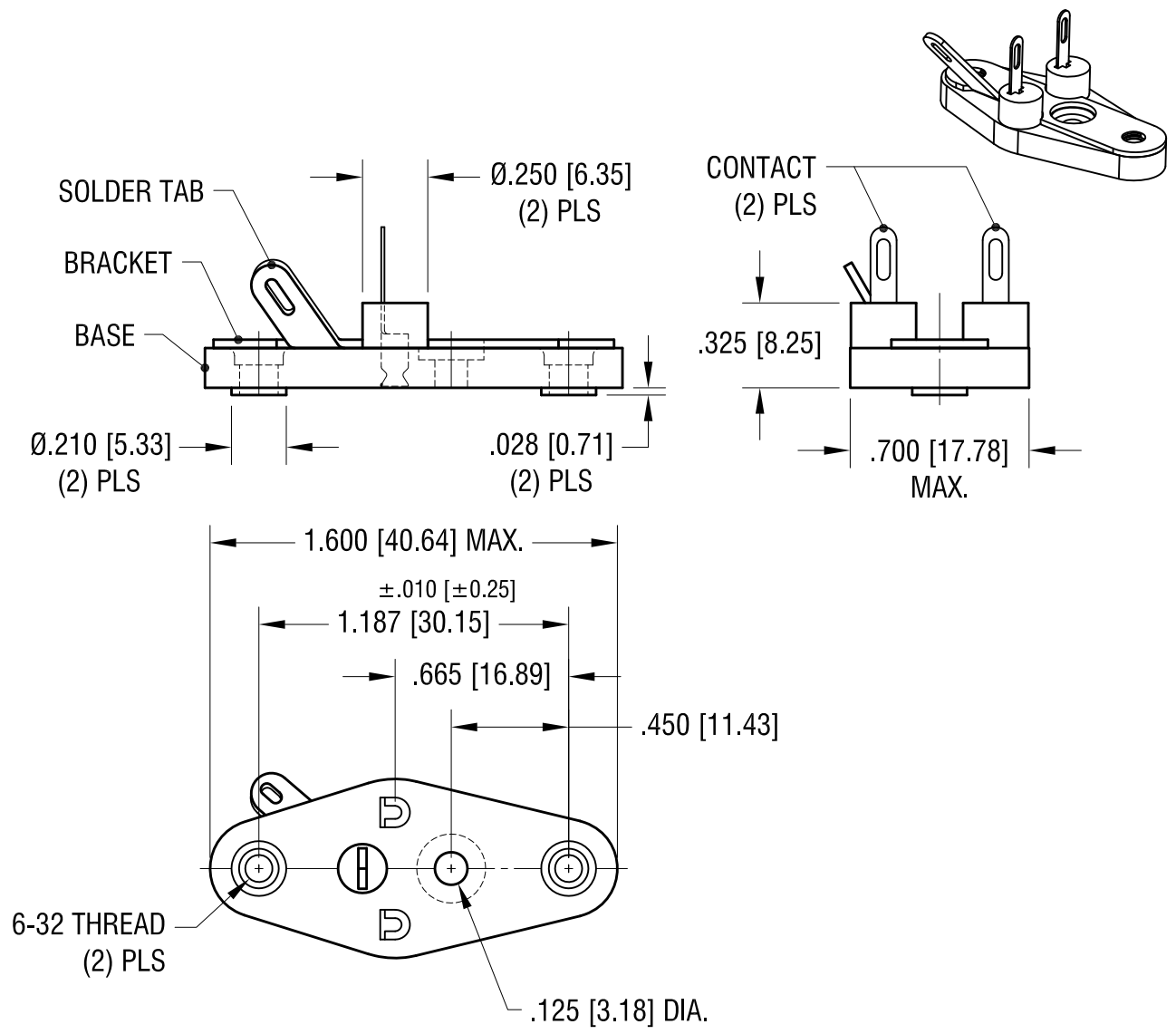


THIS DOCUMENT IS THE PROPERTY OF KEYSTONE ELECTRONICS CORP. AND SHALL NOT BE REPRODUCED, DISTRIBUTED OR USED AS A BASIS FOR MANUFACTURE WITHOUT PRIOR WRITTEN PERMISSION FROM KEYSTONE ELECTRONICS CORP.

**ACTUAL SIZE**



**NOTES:**

BASE, INSULATING:  
MAT'L - PBT (BLACK COLOR), UL 94V-0

BRACKET, MOUNTING:  
MAT'L - .032 [0.81] TH'K BRASS  
FINISH - TIN PLATE

CONTACT:  
MAT'L - .012 [0.30] TH'K BRASS  
FINISH - TIN PLATE

3.24.15	BASE MAT'L WAS POLYESTER CHANGE AS PER ECN15-037	B
5.18.04	CHANGE AS PER ECN 04-038	A
DATE	DESCRIPTION	REV.

<b>KEYSTONE ELECTRONICS CORP.</b>			
www.keyelco.com • ASTORIA, N.Y. 11105-2017 • Tel (718) 956-8900			
PART NAME TO-3 SINGLE TAB TRANSISTOR SOCKET			
MATERIAL AS NOTED			
FINISH AS NOTED		DRN BY BOONE	DATE 10.8.82
		APP'D LN	SCALE 1.5X
TOLERANCES DECIMAL ANGULAR	INCH [MM] ± .005 [± 0.15] ± 1°	CODE C	DWG NO. 4515
UNLESS OTHERWISE SPECIFIED			